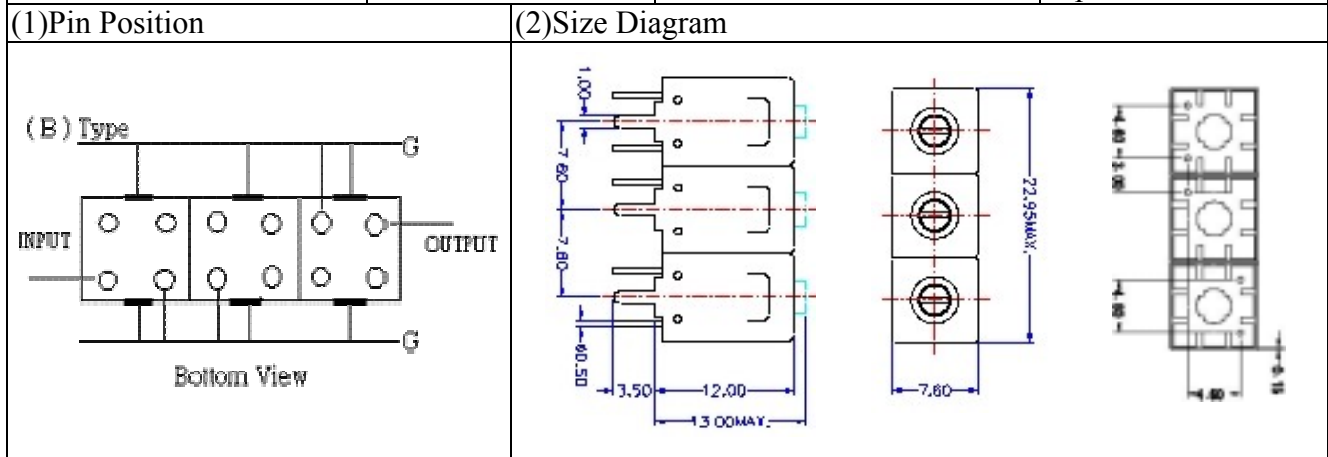


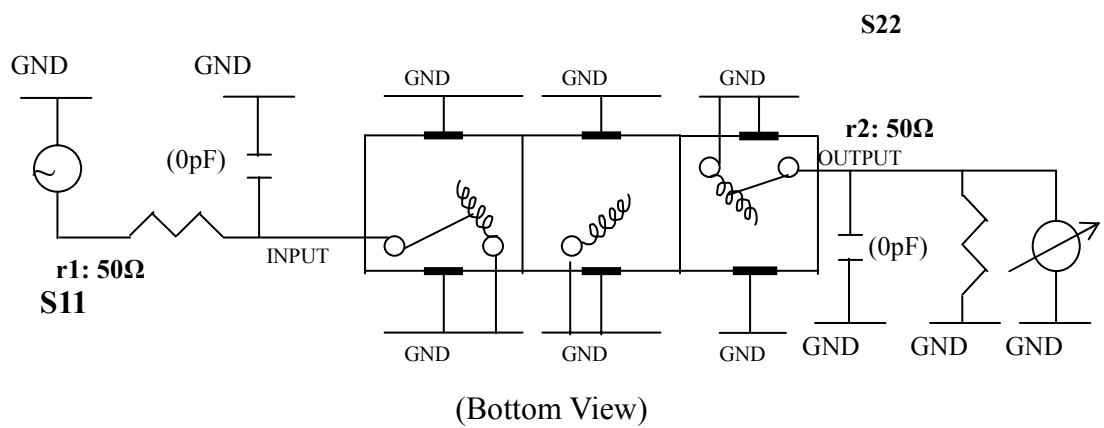
# VHF UHF Helical Filter Specification Sheet

Customer Name		Temwell's Part No.	TT6829B-210M
Approval No. /dated	0809052C	Customer's Print Name.	6829B 210M
Work Instruction No.	200809052C	Date	Sep.22.2008



(3) Electric Characteristic		Item	Specify
		Center Freq.(Fo) +/- 0.5 %	210 MHz
		Insertion Loss	Typ. 5.5 dB
		-3 dB Bandwidth	Typ. 5 MHz
Sensitivity (Attenuation)	Fo - 30 MHz	Typ. 60 dBc	
	Fo + 30 MHz	Typ. 60 dBc	
	Fo - ( )MHz	Typ. dBc	
	Fo +( )MHz	Typ. dBc	
		Return Loss	Min. 12 dB
		Ripple	< 1 dB
		Impedance	In / Out : 50 Ω
(4) Torque for Tuning Screw			> 100gf cm
(5) Temperature Condition:			
Operating Temperature			0 ~ +60
Storage Temperature			-20 ~ +70
(6) Input Power			> 1 Watt

(7) Measuring Circuit: Easy to match Impedance S11/S22 50Ω by parallel with about(0pF) / (0pF).

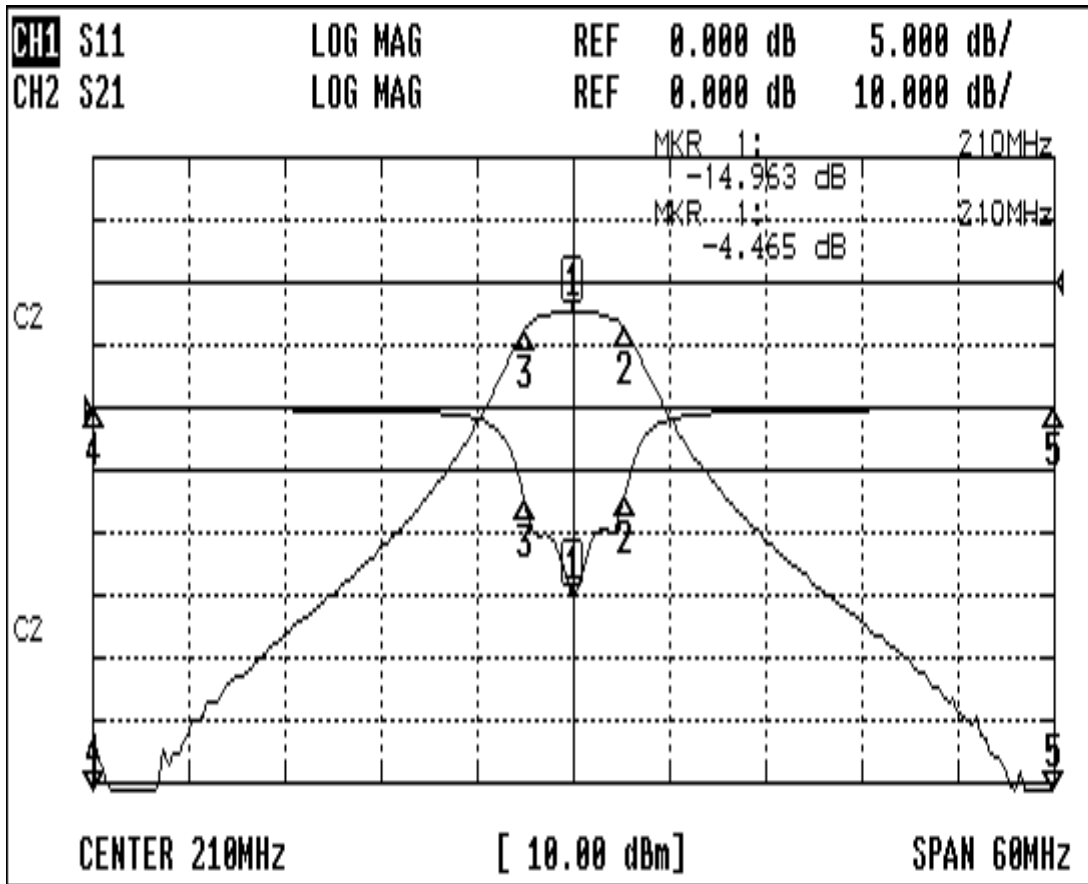


Approval	Supervisor	Designer	Aperture size
C.Y.Chang	C.S.Chang	C.H.Yeh	7H3S(4*5.5F) (7H024LB4)

TEMWELL CORPORATION

# Performance-TT6829B-210M

## 200809052C



### CH1 MARKER LIST

1:	210.000MHz	-14.963 dB
2:	213.250MHz	-7.120 dB
3:	207.000MHz	-7.421 dB
4:	180.000MHz	-0.101 dB
5:	240.000MHz	-0.106 dB
6:		
7:		
8:		
9:		
10:		

### CH2 MARKER LIST

1:	210.000MHz	-4.462 dB
2:	213.250MHz	-7.511 dB
3:	207.000MHz	-7.507 dB
4:	180.000MHz	-78.379 dB
5:	240.000MHz	-91.382 dB
6:		
7:		
8:		
9:		
10:		