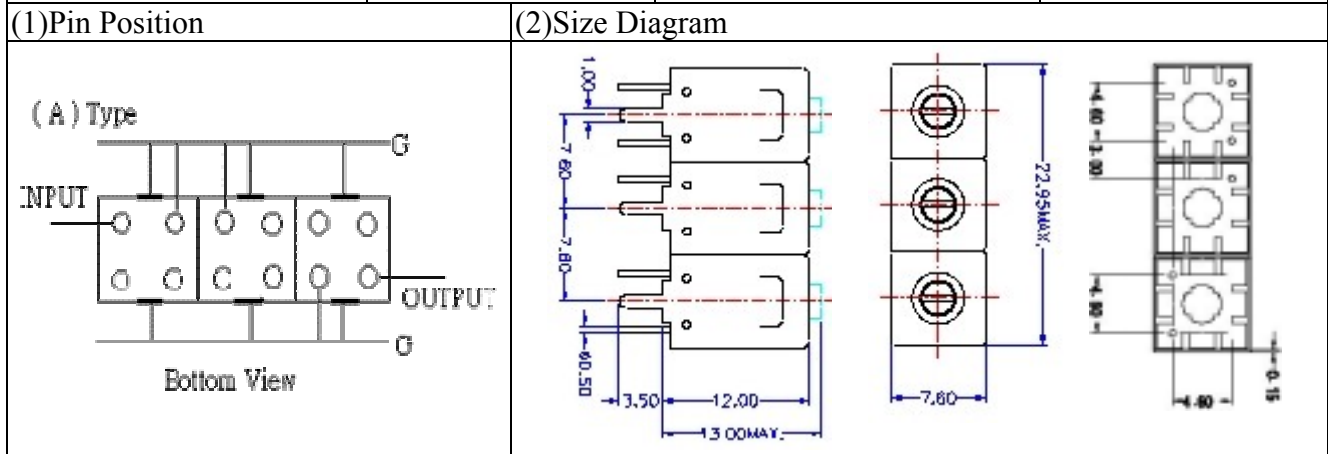
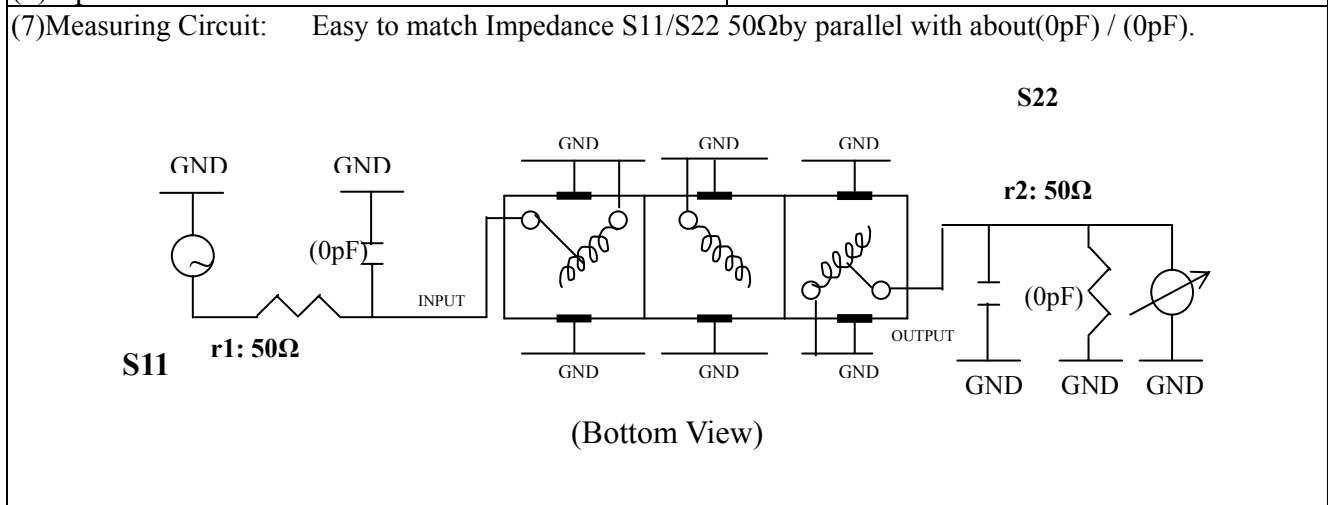


VHF UHF Helical Filter Specification Sheet

Customer Name		Temwell's Part No.	TT6849A-480M
Approval No. /dated	0809086CD	Customer's Print Name.	6849A 480M
Work Instruction No.	200809086CD	Date	Oct.01.2008



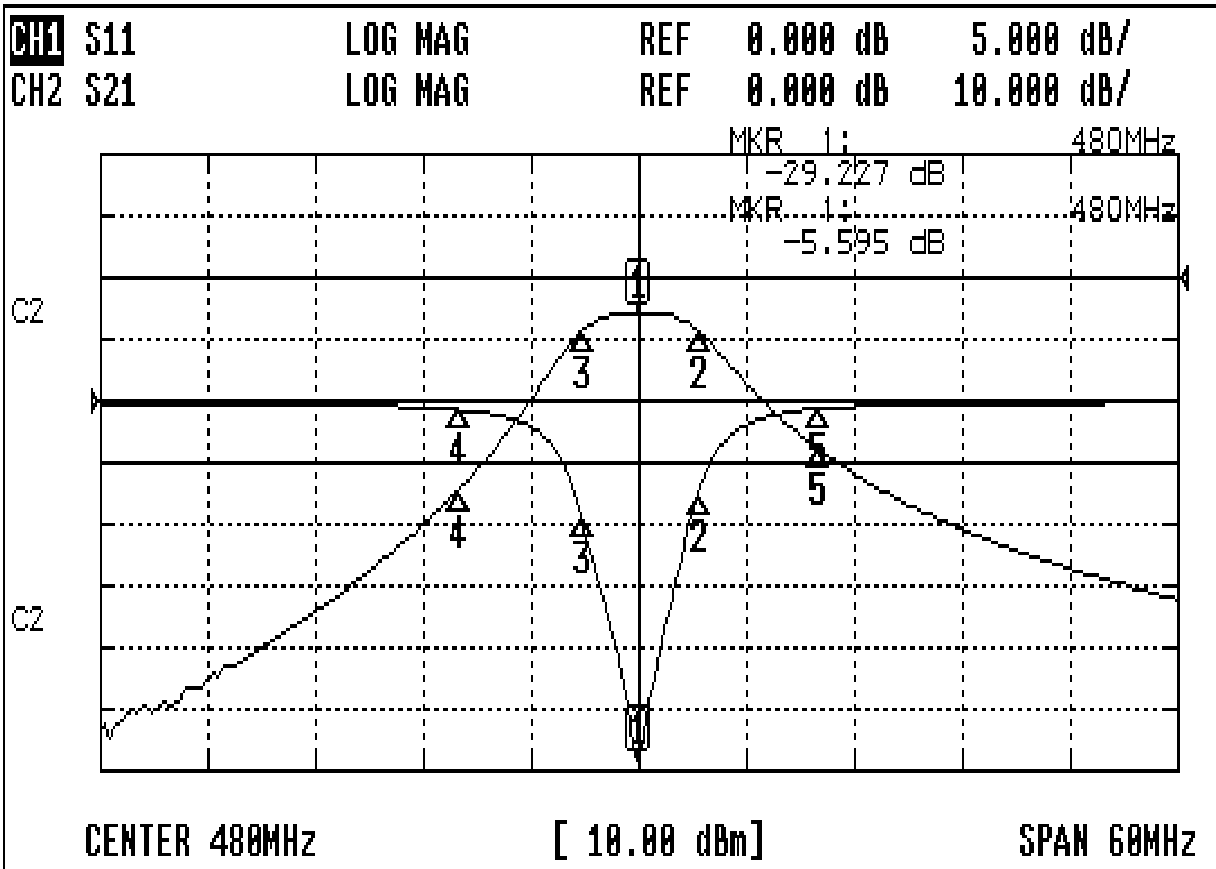
(3) Electric Charasteric		Specify	
Item			
Center Freq.(Fo) +/- 0.5 %		480	MHz
Insertion Loss		Typ. 6.5	dB
-3 dB Bandwidth		Typ. 4	MHz
Sensitivity (Attenuation)	Fo - 10 MHz	Typ. 27	dBc
	Fo + 10 MHz	Typ. 20	dBc
	Fo - ()MHz	Typ.	dBc
	Fo +()MHz	Typ.	dBc
Return Loss		Min. 12	dB
Ripple		< 1	dB
Impedance		In / Out : 50 Ω	
(4) Torque for Tuning Screw		> 100gf cm	
(5) Temperature Condition:			
Operating Temperature		0 ~ +60	
Storage Temperature		-20 ~ +70	
(6) Input Power		> 1Watt	



Approval C.Y.Chang	Supervisor C.S.Chang	Designer P.H.Chiang	Aperture size 7H3S(4*4.65F) (7H046LB4 聚 3)
TEMWELL CORPORATION			

Performance-TT6849A-480M

200809086CD



CH1 MARKER LIST

1:	480.000MHz	-29.227 dB
2:	483.300MHz	-7.550 dB
3:	476.850MHz	-9.421 dB
4:	470.000MHz	-0.722 dB
5:	490.000MHz	-0.628 dB
6:		
7:		
8:		
9:		
10:		

CH2 MARKER LIST

1:	480.000MHz	-5.595 dB
2:	483.300MHz	-8.574 dB
3:	476.850MHz	-8.619 dB
4:	470.000MHz	-34.324 dB
5:	490.000MHz	-27.829 dB
6:		
7:		
8:		
9:		
10:		