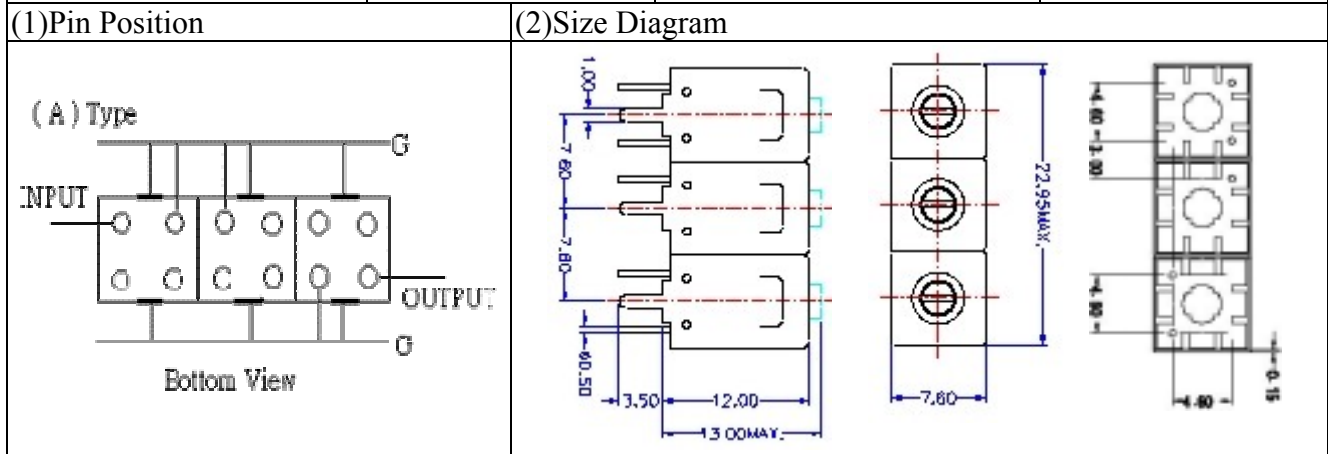
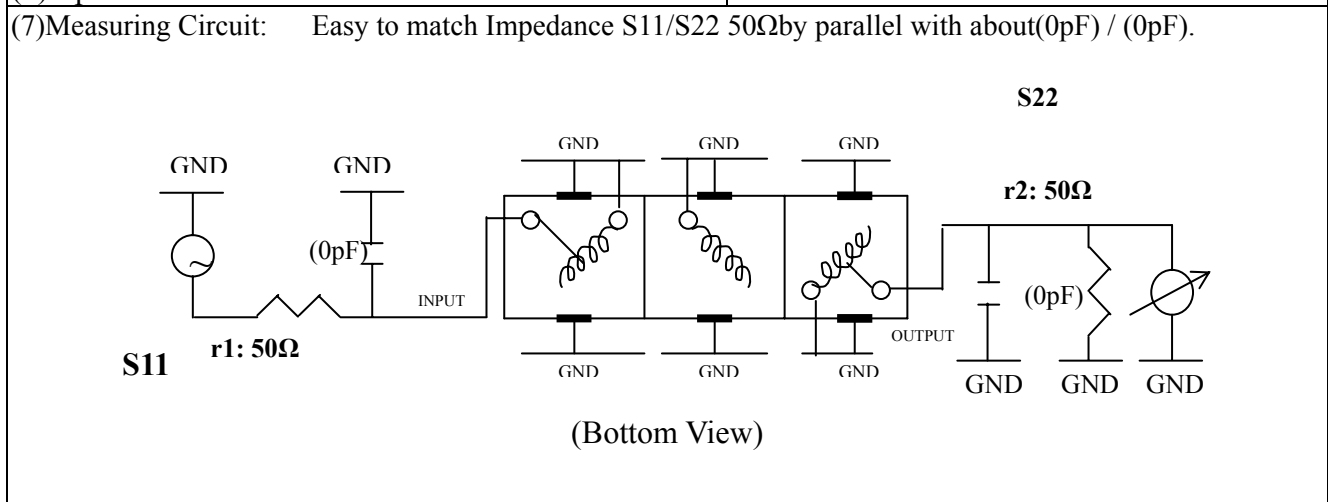


VHF UHF Helical Filter Specification Sheet

Customer Name		Temwell's Part No.	TT6849A2-480M
Approval No. /dated	0801090APR	Customer's Print Name.	6849A2 480M
Work Instruction No.	0801090CD	Date	Mar.28.2008



(3) Electric Charasteric	
Item	Specify
Center Freq.(Fo) +/- 0.5 %	480 MHz
Tunable Range:	480±10 MHz
Insertion Loss	Typ. 8.0 dB
-3 dB Bandwidth	Typ. 3 MHz
Sensitivity (Attenuation)	Fo - 10 MHz Typ. 27 dBc
	Fo + 10 MHz Typ. 20 dBc
	Fo - ()MHz Typ. dBc
	Fo +()MHz Typ. dBc
Return Loss	Min. 12 dB
Ripple	< 1 dB
Impedance	In / Out : 50 Ω
(4) Torque for Tuning Screw	> 60gf cm
(5) Temperature Condition:	
Operating Temperature	0 ~ +60
Storage Temperature	-20 ~ +70
(6) Input Power	> 1Watt

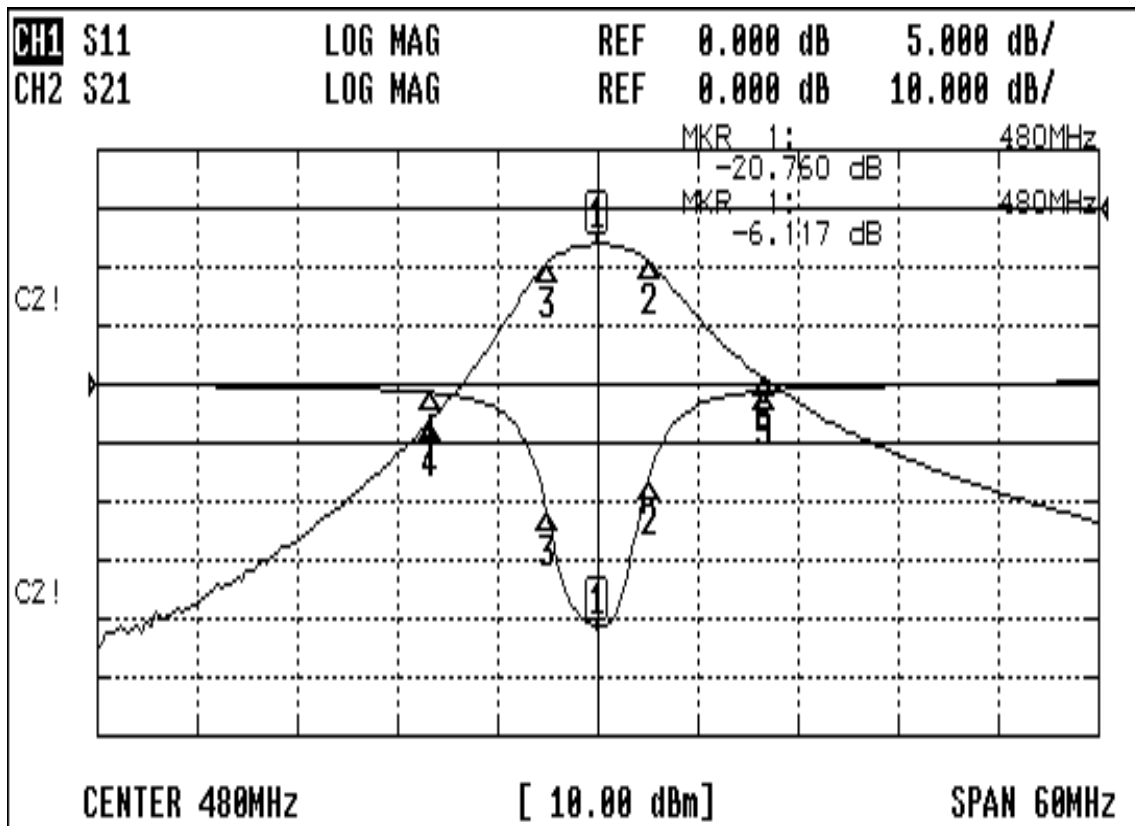


Approval C.Y.Chang	Supervisor C.S.Chang	Designer Y.H.Yeh	Aperture size 7H3(4*4.65F)(4.0B) 7H3S(4*4.65)
-----------------------	-------------------------	---------------------	---

TEMWELL CORPORATION

Performance-TT6849A2-480M

0801090CD



CH1 MARKER LIST

1:	480.000MHz	-20.760 dB
2:	483.100MHz	-7.922 dB
3:	477.000MHz	-10.807 dB
4:	470.000MHz	-0.718 dB
5:	490.000MHz	-0.570 dB
6:		
7:		
8:		
9:		
10:		

CH2 MARKER LIST

1:	480.000MHz	-6.117 dB
2:	483.100MHz	-9.174 dB
3:	477.000MHz	-9.193 dB
4:	470.000MHz	-36.267 dB
5:	490.000MHz	-29.165 dB
6:		
7:		
8:		
9:		
10:		