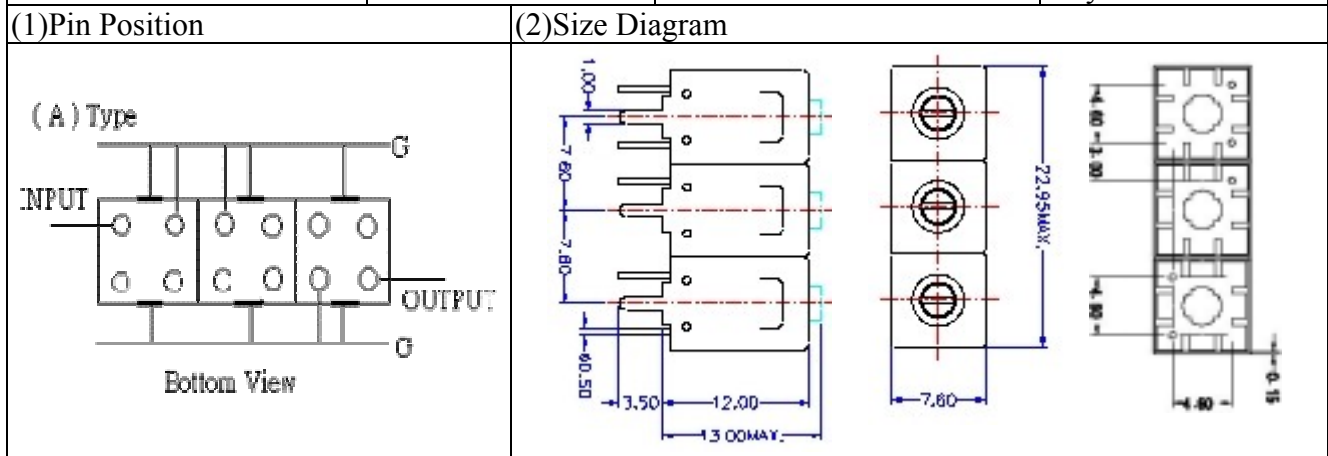


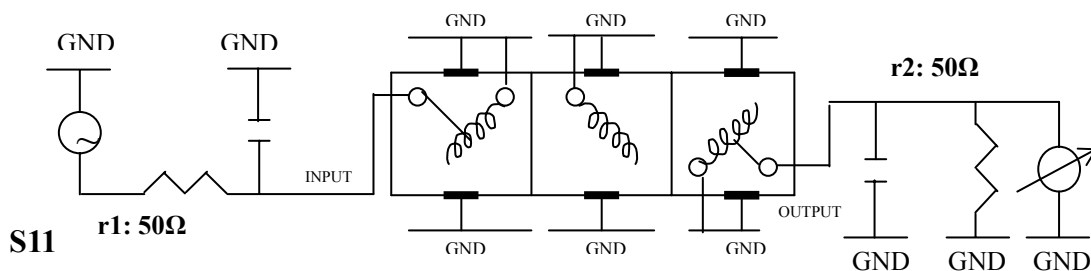
# VHF UHF Helical Filter Specification Sheet

Customer Name		Temwell's Part No.	TT6870A-769M
Approval No. /dated		Customer's Print Name.	6870A 769M
Work Instruction No.	201205049CD	Date	May.17.2012



(3) Electric Charasteric	
Item	Specify
Center Freq.(Fo ) +/- 0.5 %	769 MHz
Insertion Loss	Typ. 4.5 dB
-3 dB Bandwidth	Typ. 10 MHz
Sensitivity (Attenuation )	Fo - 20 MHz Typ. 20 dBc
	Fo + 20 MHz Typ. 14 dBc
	Fo - ( )MHz Typ. dBc
	Fo +( )MHz Typ. dBc
Return Loss	Min. 12 dB
Ripple	< 1 dB
Impedance	In / Out : 50 Ω
(4) Torque for Tuning Screw	> 100gf cm
(5) Temperature Condition:	
Operating Temperature	0 ~ +60
Storage Temperature	-20 ~ +70
(6) Input Power	> 1Watt

(7) Measuring Circuit: Easy to match Impedance S11/S22 50Ω by parallel with about( -- ) S22



Approval C.Y.Chang	Supervisor C.K.Chang	Designer F.L.Lai	Aperture size 7H3S(4*4.65)(4.70) 7H064LB4.3 聚 3
-----------------------	-------------------------	---------------------	---

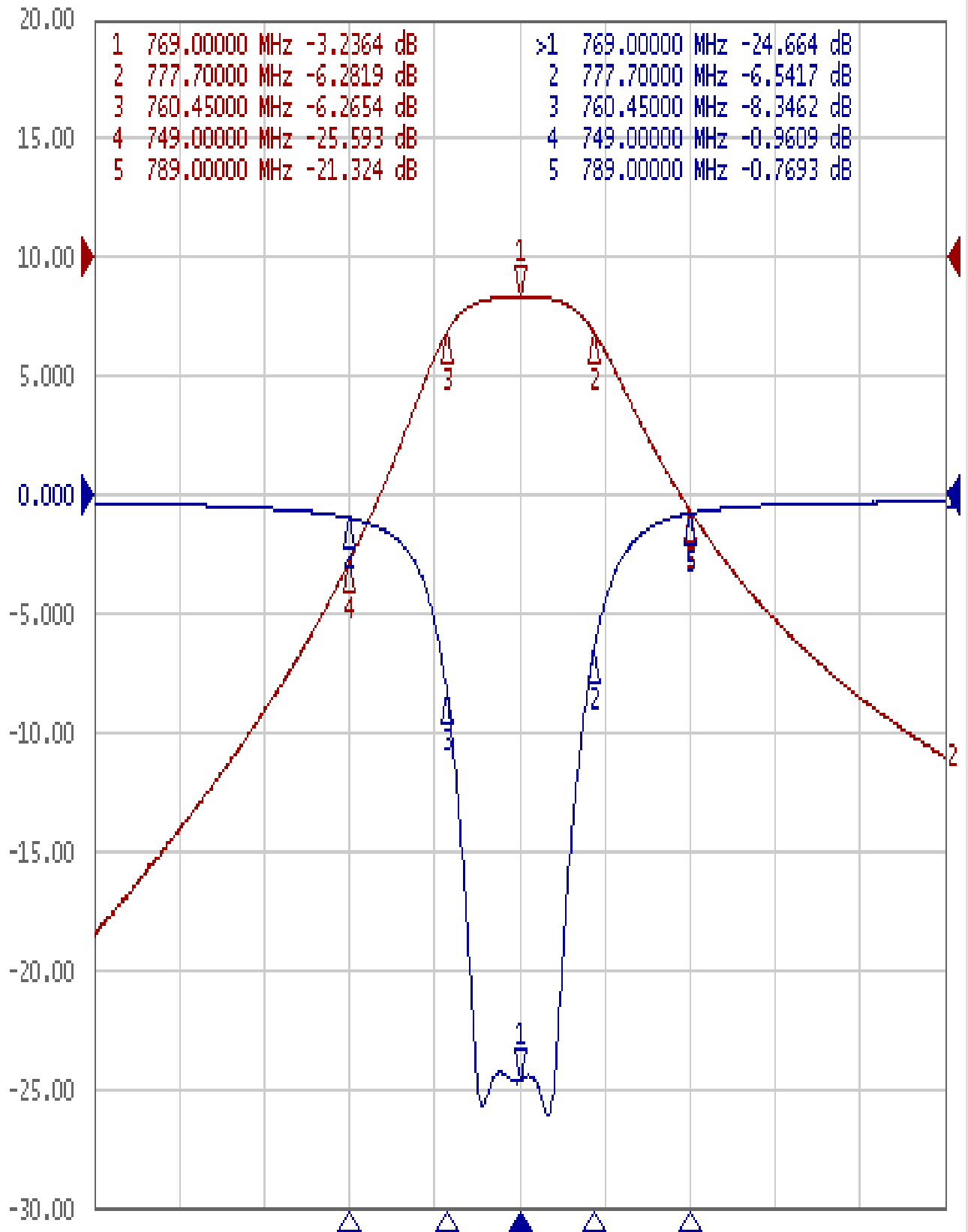
TEMWELL CORPORATION

# Performance-TT6870A-769M

## 201205049CD

▶ Tr1 S11 Log Mag 5.000dB/ Ref 0.000dB [F2]

Tr2 S21 Log Mag 10.000dB/ Ref 0.000dB [F2]



1 Center 769 MHz

IFBW 10 kHz

Span 100 MHz Cor !