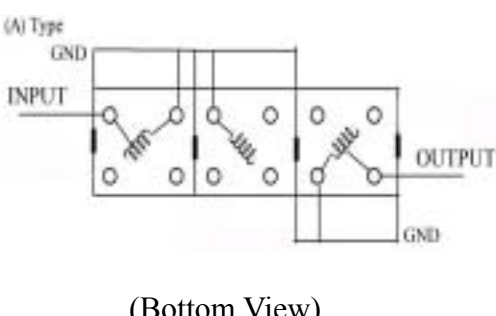
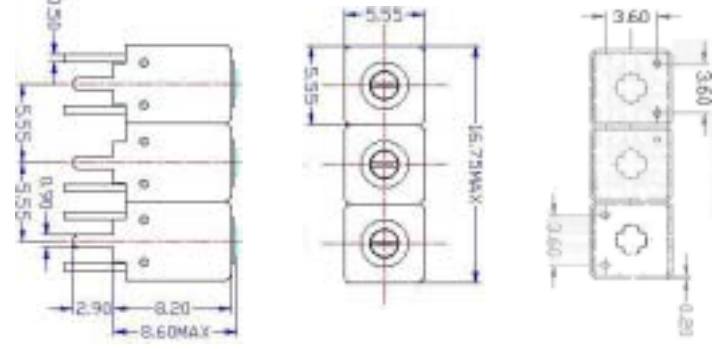


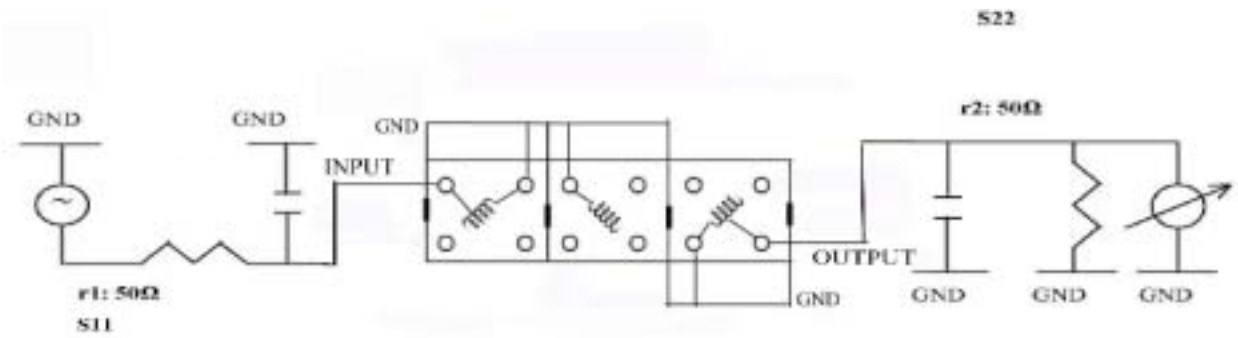
VHF UHF Helical Filter Specification Sheet

Customer Name		Temwell's Part No.	TTR3627A-380M
Approval No. /dated		Temwell's Print name.	3627A 380M
Work Instruction No.	201302028C	Date	Oct.29.2013

<p>(1) Pin Position</p>  <p style="text-align: center;">(Bottom View)</p>	<p>(2) Size Diagram</p> 
--	--

(3) Electric Charasteric	
Item	Specify
Center Freq.(Fo) +/- 0.5 %	380 MHz
Insertion Loss	Typ. 3.5 dB
-3 dB Bandwidth	Typ. 20 MHz
Sensitivity (Attenuation)	Fo - 50 MHz Typ. 39 dBc
	Fo + 50 MHz Typ. 33 dBc
	Fo - ()MHz Typ. dBc
	Fo +()MHz Typ. dBc
Return Loss	Min. 12 dB
Ripple	< 1 dB
Impedance	In / Out : 50 Ω
(4) Torque for Tuning Screw	
> 60gf cm	
(5) Temperature Condition:	
Operating Temperature	0 ~ +60
Storage Temperature	-20 ~ +70
(6) Input Power	
> 0.5 Watt	

(7) Measuring Circuit: Easy to match Impedance S11/S22 50Ω/ by parallel with about(--)/ (--).

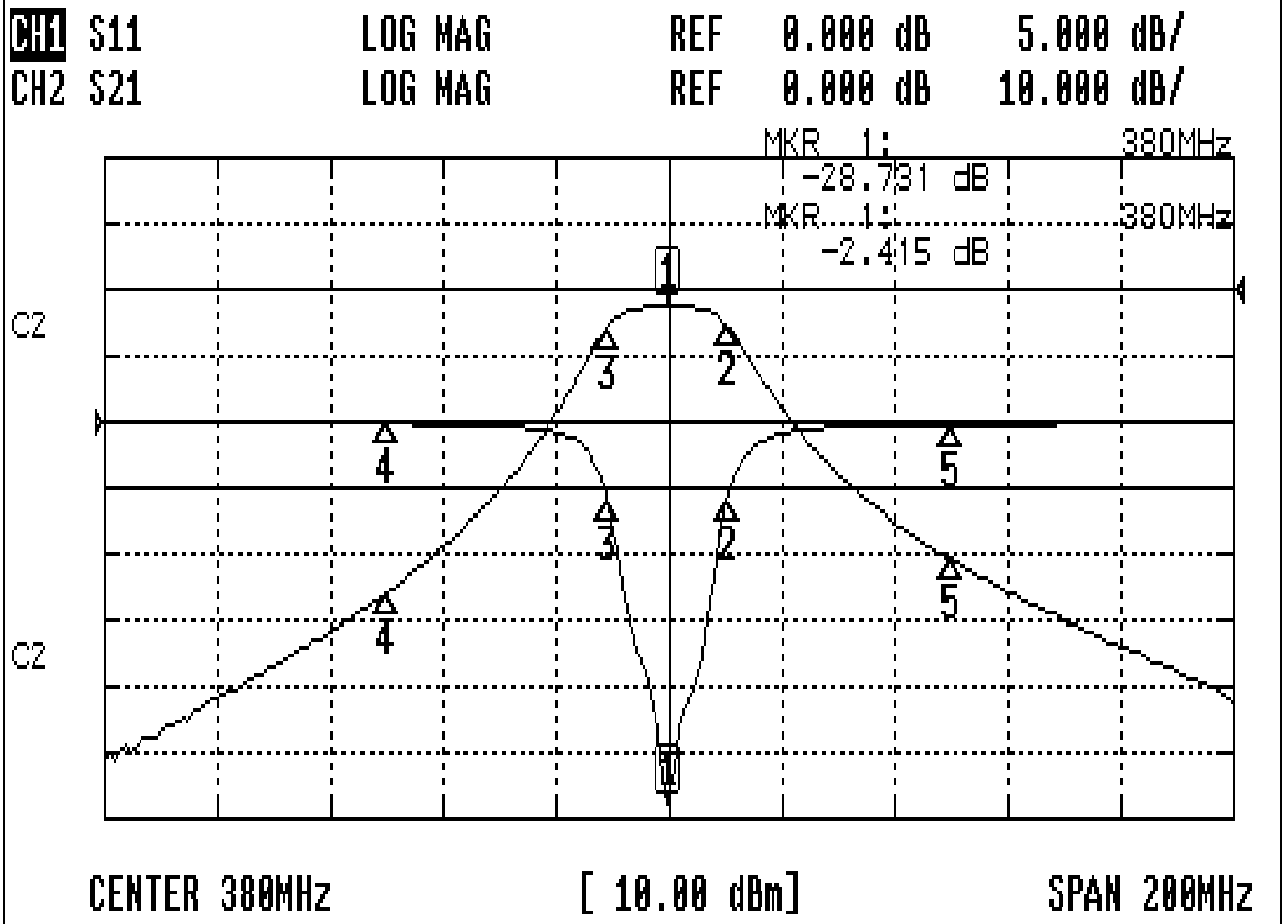


(Bottom View)

Approval C.Y.Chang	Supervisor C.K.Chang	Designer C.Ko.Chang	Aperture size 5R3S(3.8*4.65)(5.52) 5HW024RB3
TEMWELL CORPORATION			

Performance-TTR3627A-380M

201302028C



CH1 MARKER LIST

1:	380.000MHz	-28.722	dB
2:	390.500MHz	-1.922	dB
3:	369.166MHz	-1.919	dB
4:	330.000MHz	-0.134	dB
5:	430.000MHz	-0.207	dB

CH2 MARKER LIST

1:	380.000MHz	-2.415	dB
2:	390.500MHz	-1.400	dB
3:	369.166MHz	-1.400	dB
4:	330.000MHz	-1.400	dB
5:	430.000MHz	-1.400	dB