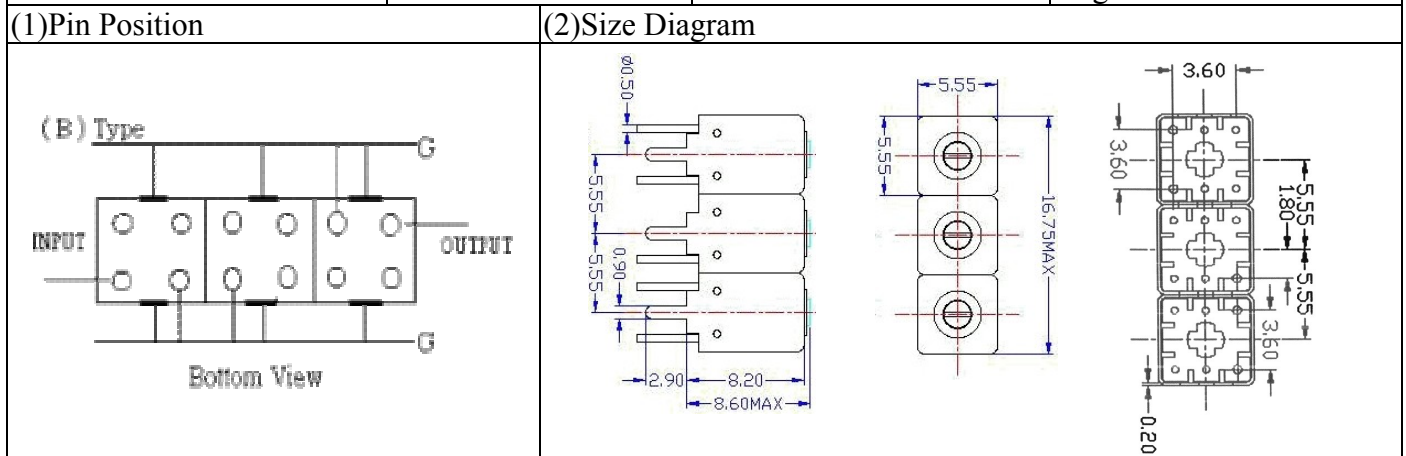


VHF UHF Helical Filter Specification Sheet

Customer Name		Temwell's Part No.	TTR3731B-875M
Approval No. /dated		Temwell's Print Name.	3731B 875M
Work Instruction No.	201107093A	Date	Aug.03.2011



(3) Electric Character

Item	Specify
Center Freq.(Fo) +/- 0.5 %	875 MHz
Insertion Loss	Typ. 4.0 dB
-3 dB Bandwidth	Typ. 25 MHz
Sensitivity (Attenuation)	Fo - 50 MHz Typ. 25 dBc
	Fo + 50 MHz Typ. 19 dBc
	Fo - ()MHz Typ. dBc
	Fo +()MHz Typ. dBc
Return Loss	Min. 12 dB
Ripple	< 1 dB
Impedance	In / Out : 50 Ω

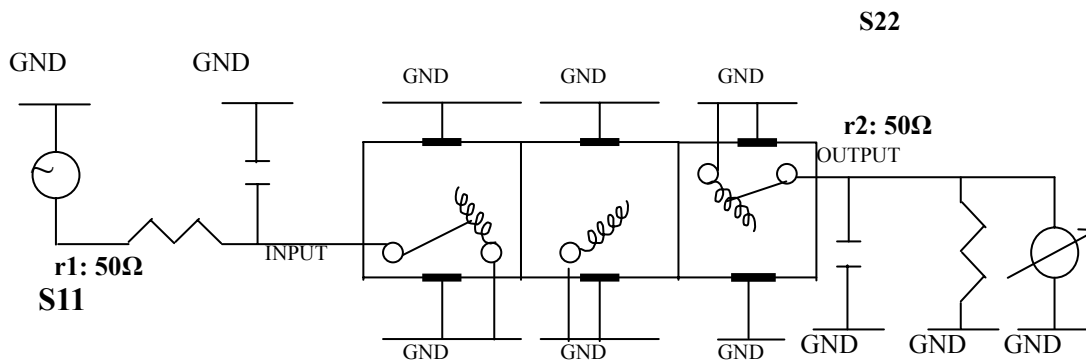
(4) Torque for Tuning Screw > 60gf cm

(5) Temperature Condition:

Operating Temperature	0 ~ +60
Storage Temperature	-20 ~ +70

(6) Input Power > 0.5 Watt

(7) Measuring Circuit: Easy to match Impedance S11/S22 50Ω by parallel with about(--) / (--).



(Bottom View)

Approval C.Y.Chang	Supervisor C.K.Chang	Designer F.L.Lai	Aperture size 5R3S(3.8*4.2)(4.25) 5HW024RB3
-----------------------	-------------------------	---------------------	---

TEMWELL CORPORATION

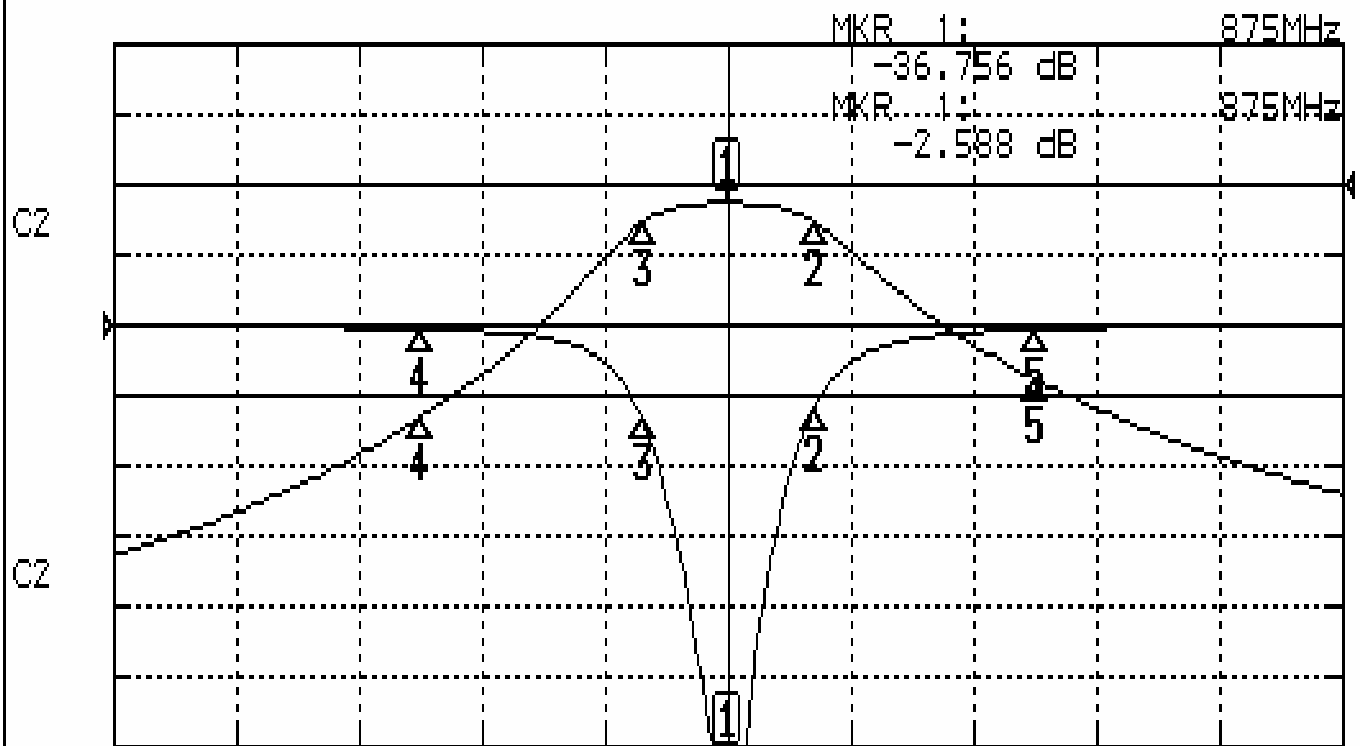
TEMWELL

Form10-5W3B Vision D (W,S.C)

Performance-TTR3731B-875M

201107093A

CH1 S11 LOG MAG REF 0.000 dB 5.000 dB/
CH2 S21 LOG MAG REF 0.000 dB 10.000 dB/



CENTER 875MHz

[10.00 dBm]

SPAN 200MHz

CH1 MARKER LIST

Marker	Frequency (MHz)	Magnitude (dB)
1	875.000	-36.756
2	889.333	-5.820
3	861.000	-6.520
4	825.000	-0.265
5	925.000	-0.276

CH2 MARKER LIST

Marker	Frequency (MHz)	Magnitude (dB)
1	875.000	-2.588
2	889.333	-5.577
3	861.000	-5.504
4	825.000	-33.163
5	925.000	-27.746