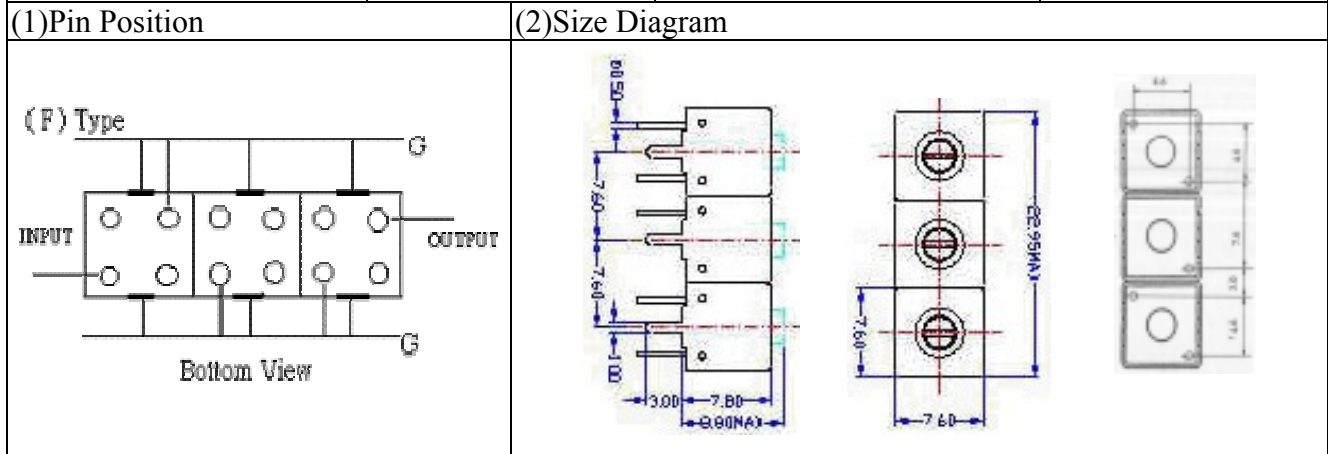


VHF UHF Helical Filter Specification Sheet

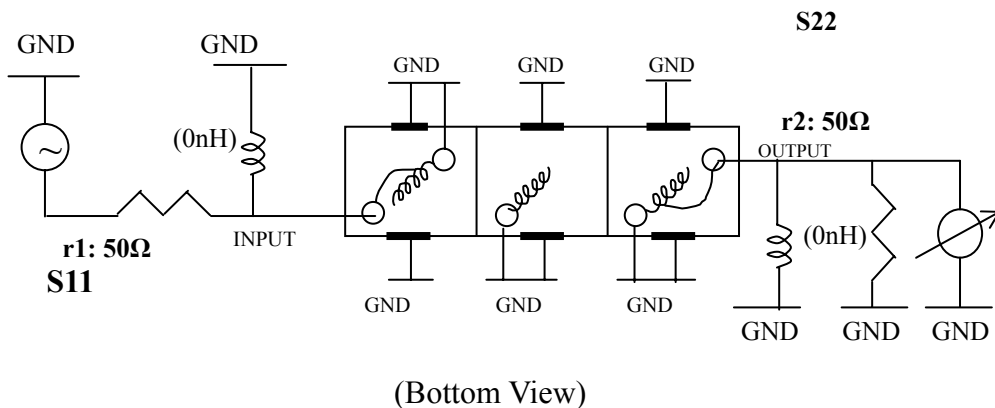
Customer Name		Temwell's Part No.	TTS3063F-434M
Approval No. /dated	0910079APR	Customer's Part No.	3063F 434M
Work Instruction No.	200910079BD	Date	Oct.16.2009



(3) Electric Characteristic

Item	Specify	
Center Freq.(Fo) +/- 0.5 %	434	MHz
Insertion Loss	Typ. 4.0	dB
-3 dB Bandwidth	Typ. 31	MHz
Sensitivity (Attenuation)	Fo - 50 MHz	Typ. 21 dBc
	Fo + 50 MHz	Typ. 23 dBc
	Fo - ()MHz	Typ. dBc
	Fo +()MHz	Typ. dBc
Return Loss	Min. 12	dB
Ripple	< 1	dB
Impedance	In / Out : 50 Ω	
(4) Torque for Tuning Screw	> 60gf cm	
(5) Temperature Condition:		
Operating Temperature	0 ~ +60	
Storage Temperature	-20 ~ +70	
(6) Input Power	> 1Watt	

(7) Measuring Circuit: Easy to match Impedance S11/S22 50Ω/ by parallel with about(0 nH) / (0 nH).



Approval C.Y.Chang	Supervisor C.K.Chang	Designer P.H.Chiang	Aperture size 7S3S(4*4.3)(4.33) 7S024RB6
-----------------------	-------------------------	------------------------	--

TEMWELL CORPORATION

Performance-TTS3063F-434M

200910079BD

