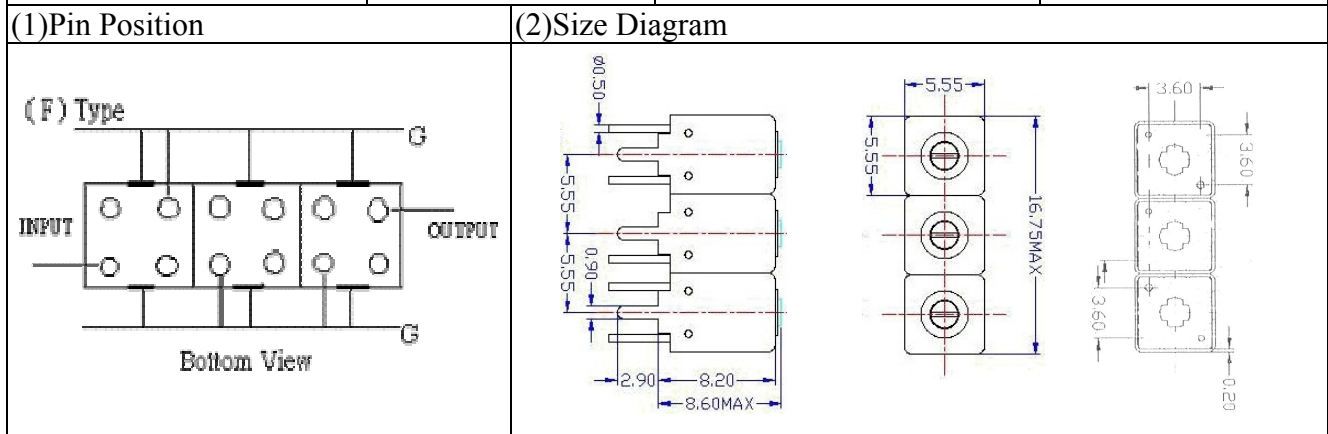


VHF UHF Helical Filter Specification Sheet

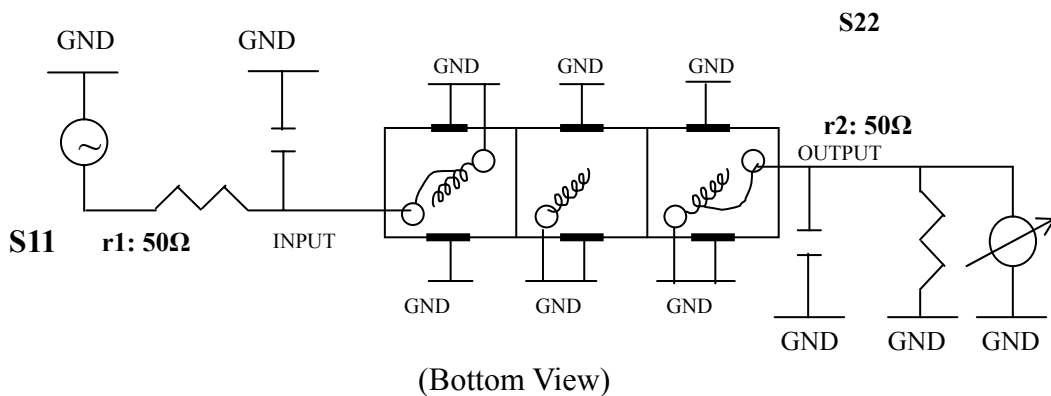
Customer Name		Temwell's Part No.	TTW3462F-580M
Approval No. /dated		Temwell's Print Name.	3462F 580M
Work Instruction No.	201110103BD	Date	Nov.07.2011



(3) Electric Characteristic

Item	Specify
Center Freq.(Fo) +/- 0.5 %	580 MHz
Insertion Loss	Typ. 3.5 dB
-3 dB Bandwidth	Typ. 27 MHz
Sensitivity (Attenuation)	Fo - 50 MHz Typ. 24 dBc
	Fo + 50 MHz Typ. 25 dBc
	Fo - ()MHz Typ. dBc
	Fo +()MHz Typ. dBc
Return Loss	Min. 12 dB
Ripple	< 1 dB
Impedance	In / Out : 75 Ω
(4) Torque for Tuning Screw	> 60gf · cm
(5) Temperature Condition:	
Operating Temperature	0°C ~ +60°C
Storage Temperature	-20°C ~ +70°C
(6) Input Power	> 0.5Watt

(7) Measuring Circuit: ※Easy to match Impedance S11/S22 50Ω/75Ω by parallel with about(--) / (--).



Approval	Supervisor	Designer	Aperture size
C.Y.Chang	C.K.Chang	F.L.Lai	5W3S(3.8*4.5)(4.55) 5HW024RB3

TEMWELL CORPORATION

TEMWELL

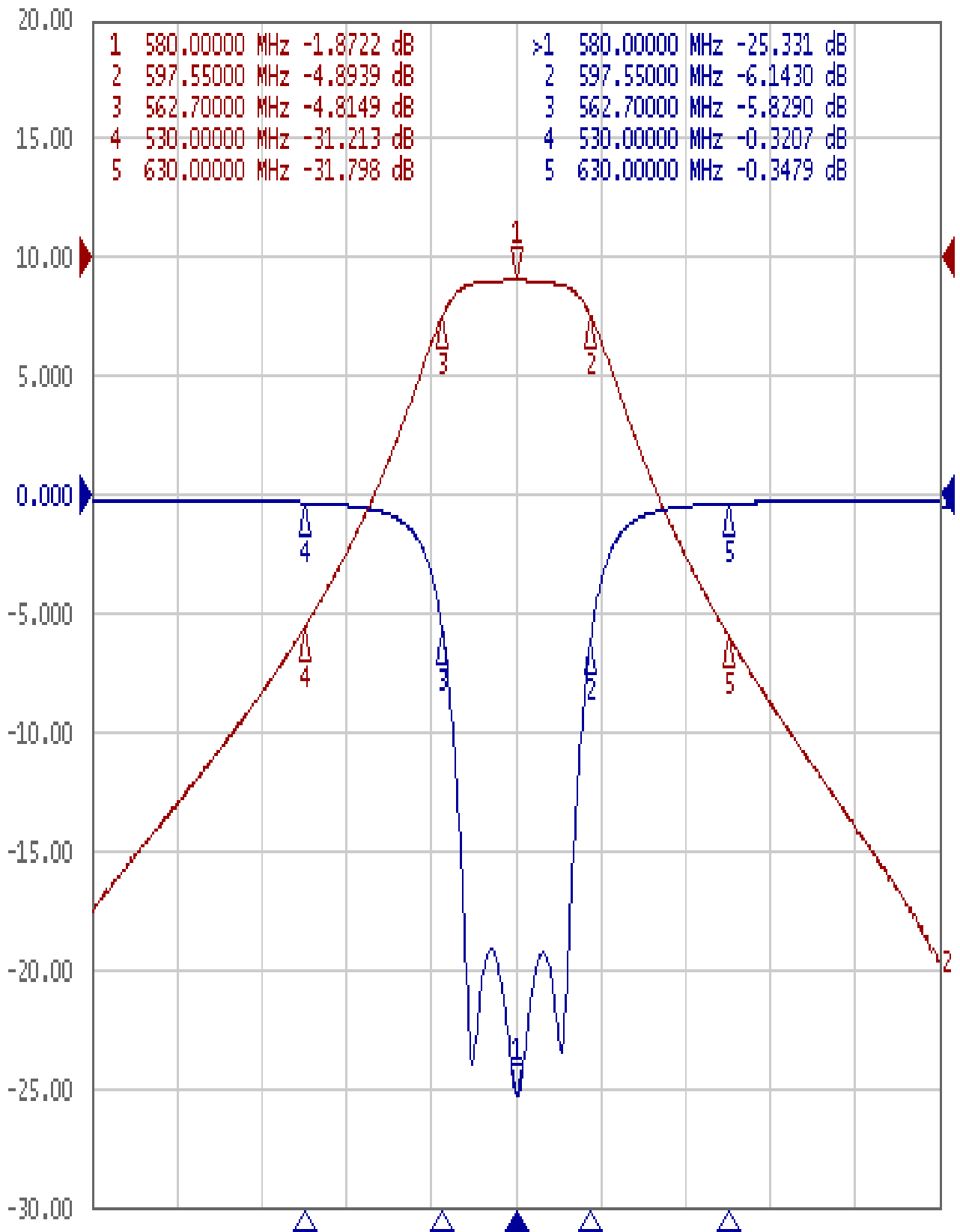
Form10-5W3F Vision D RP(F.L.L)

Performance-TTW3462F-580M

201110103BD

▶ Tr1 S11 Log Mag 5.000dB/ Ref 0.000dB [F2]

Tr2 S21 Log Mag 10.00dB/ Ref 0.000dB [F2]



1 Center 580 MHz

IFBW 10 kHz

Span 200 MHz Cor !