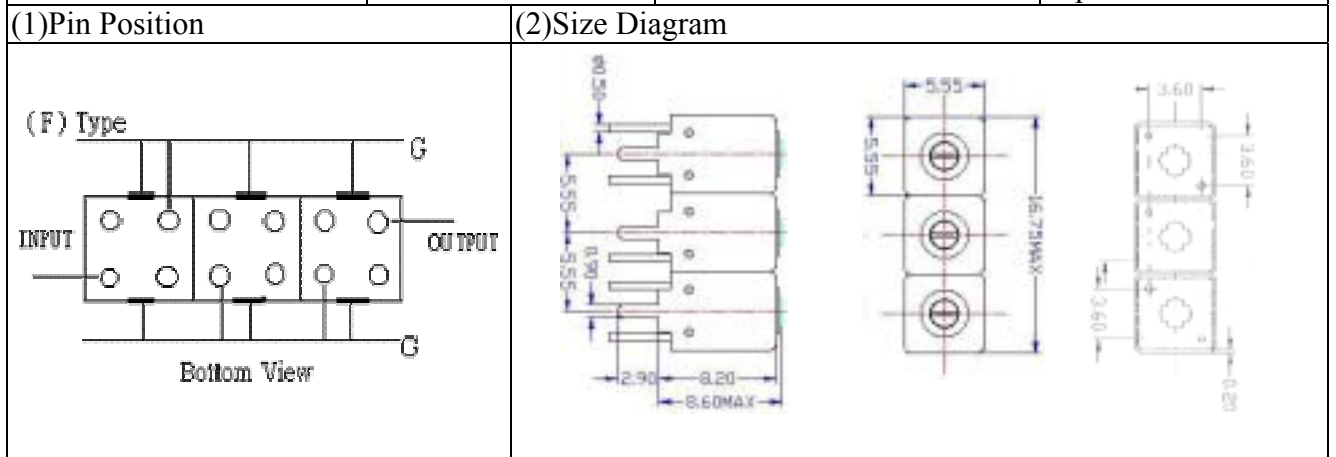


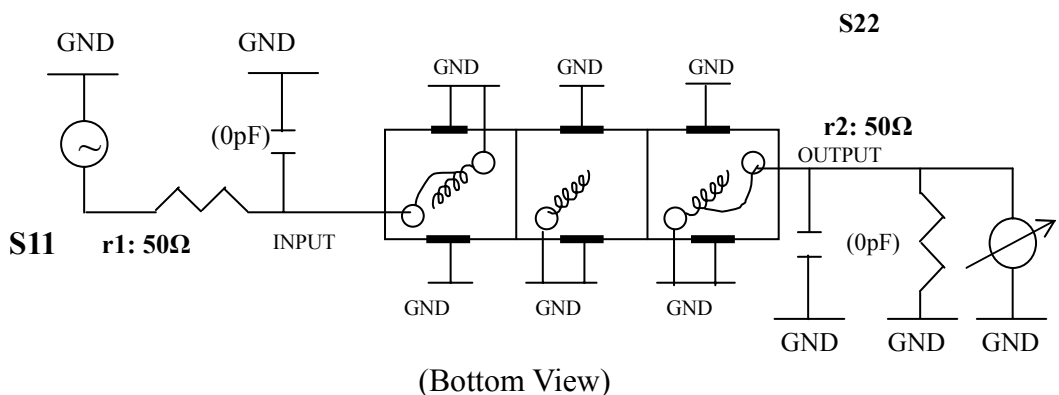
# VHF UHF Helical Filter Specification Sheet

|                      |            |                     |                  |
|----------------------|------------|---------------------|------------------|
| Customer Name        |            | Temwell's Part No.  | TTW3527F-1747.5M |
| Approval No. /dated  | 200809032C | Customer's Part No. | 3527F<br>1747.5M |
| Work Instruction No. | 200809032C | Date                | Sep.17.2008      |



| (3) Electric Characteristic  |             | Item                       | Specify         |
|------------------------------|-------------|----------------------------|-----------------|
|                              |             | Center Freq.(Fo) +/- 0.5 % | 1747.5 MHz      |
|                              |             | Insertion Loss             | Typ. 3.0 dB     |
|                              |             | -3 dB Bandwidth            | Typ. 69 MHz     |
| Sensitivity<br>(Attenuation) | Fo -200 MHz | Typ. 33 dBc                |                 |
|                              | Fo +200 MHz | Typ. 48 dBc                |                 |
|                              | Fo - ( )MHz | Typ. dBc                   |                 |
|                              | Fo +( )MHz  | Typ. dBc                   |                 |
|                              |             | Return Loss                | Min. 12 dB      |
|                              |             | Ripple                     | < 1 dB          |
|                              |             | Impedance                  | In / Out : 50 Ω |
| (4) Torque for Tuning Screw  |             |                            | > 60gf cm       |
| (5) Temperature Condition:   |             |                            |                 |
| Operating Temperature        |             |                            | 0 ~ +60         |
| Storage Temperature          |             |                            | -20 ~ +70       |
| (6) Input Power              |             |                            | > 0.5Watt       |

(7) Measuring Circuit: Easy to match Impedance S11/S22 50Ω/50Ω by parallel with about(0 pF) / (0 pF).

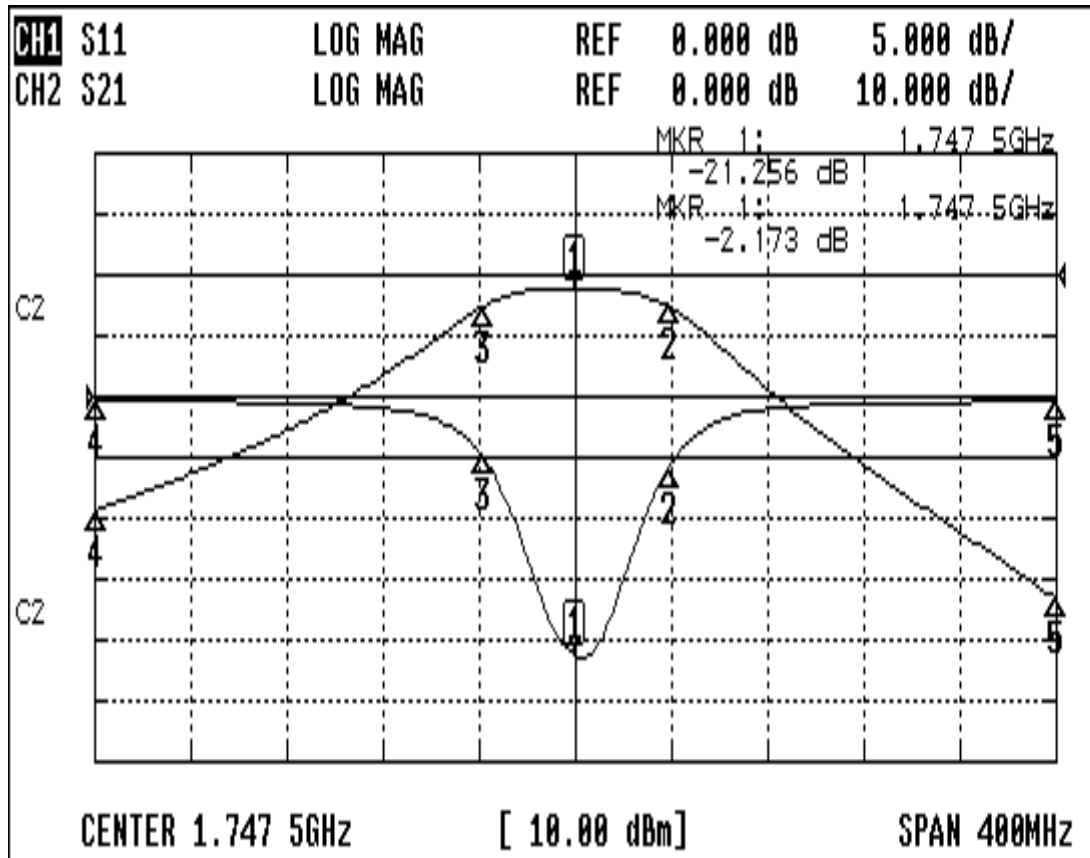


|                       |                         |                     |   |
|-----------------------|-------------------------|---------------------|---|
| Approval<br>C.Y.Chang | Supervisor<br>C.S.Chang | Designer<br>C.H.Yeh | Aperture size<br>5W3S(3.8*4.0)<br>(5HW046RB3.2) |
|-----------------------|-------------------------|---------------------|---|

TEMWELL CORPORATION

# Performance-TTW3527F-1747.5M

## 200809032C



### CH1 MARKER LIST

|    |       |        |         |    |
|----|-------|--------|---------|----|
| 1: | 1.747 | 500GHz | -21.256 | dB |
| 2: | 1.786 | 500GHz | -5.891  | dB |
| 3: | 1.709 | 166GHz | -4.963  | dB |
| 4: | 1.547 | 500GHz | -0.329  | dB |
| 5: | 1.947 | 500GHz | -0.417  | dB |

### CH2 MARKER LIST

|    |       |        |         |    |
|----|-------|--------|---------|----|
| 1: | 1.747 | 500GHz | -2.173  | dB |
| 2: | 1.786 | 500GHz | -5.177  | dB |
| 3: | 1.709 | 166GHz | -5.158  | dB |
| 4: | 1.547 | 500GHz | -38.759 | dB |
| 5: | 1.947 | 500GHz | -53.124 | dB |