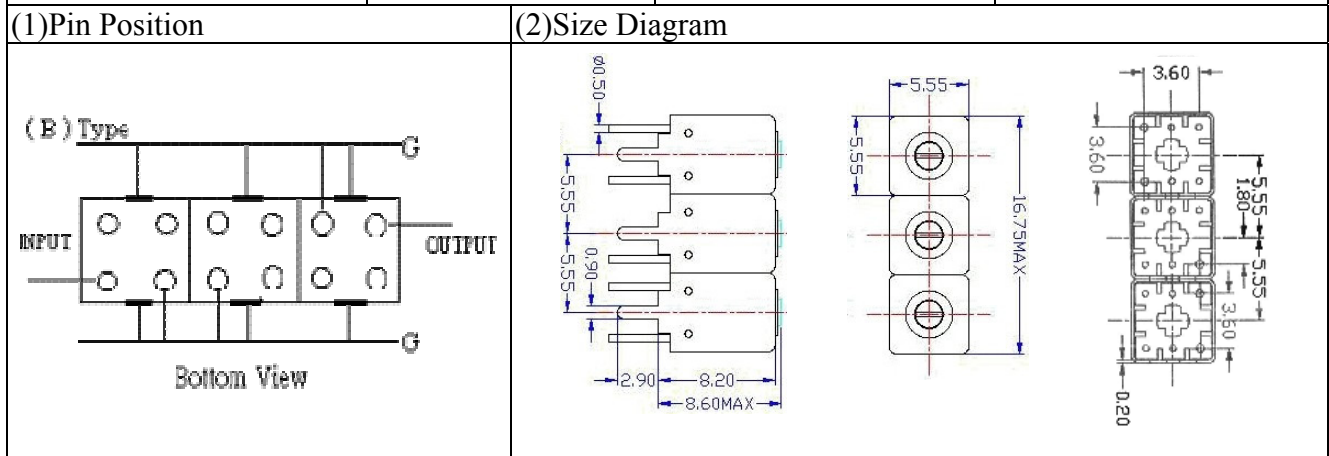


VHF UHF Helical Filter Specification Sheet

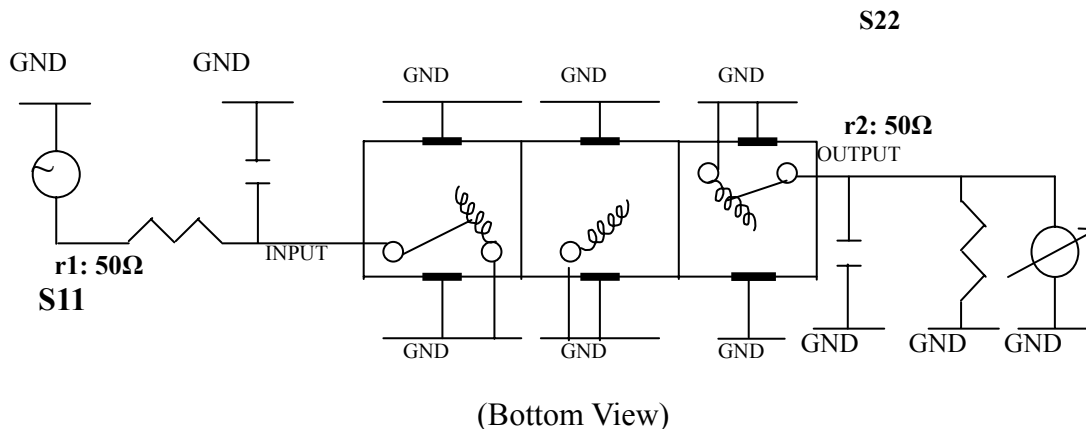
Customer Name		Temwell's Part No.	TTW3537B-1441M
Approval No. /dated		Temwell's Print Name.	3537B 1441M
Work Instruction No.	201112097A	Date	Jan.19.2012



(3) Electric Character

Item	Specify	
Center Freq.(Fo) +/- 0.5 %	1441	MHz
Insertion Loss	Typ. 4.0	dB
-3 dB Bandwidth	Typ. 33	MHz
Sensitivity (Attenuation)	Fo - 100 MHz	Typ. 38 dBc
	Fo + 100 MHz	Typ. 27 dBc
	Fo - ()MHz	Typ. dBc
	Fo +()MHz	Typ. dBc
Return Loss	Min. 12	dB
Ripple	< 1	dB
Impedance	In / Out : 50 Ω	
(4) Torque for Tuning Screw	> 60gf • cm	
(5) Temperature Condition:		
Operating Temperature	0°C ~ +60°C	
Storage Temperature	-20°C ~ +70°C	
(6) Input Power	> 0.5Watt	

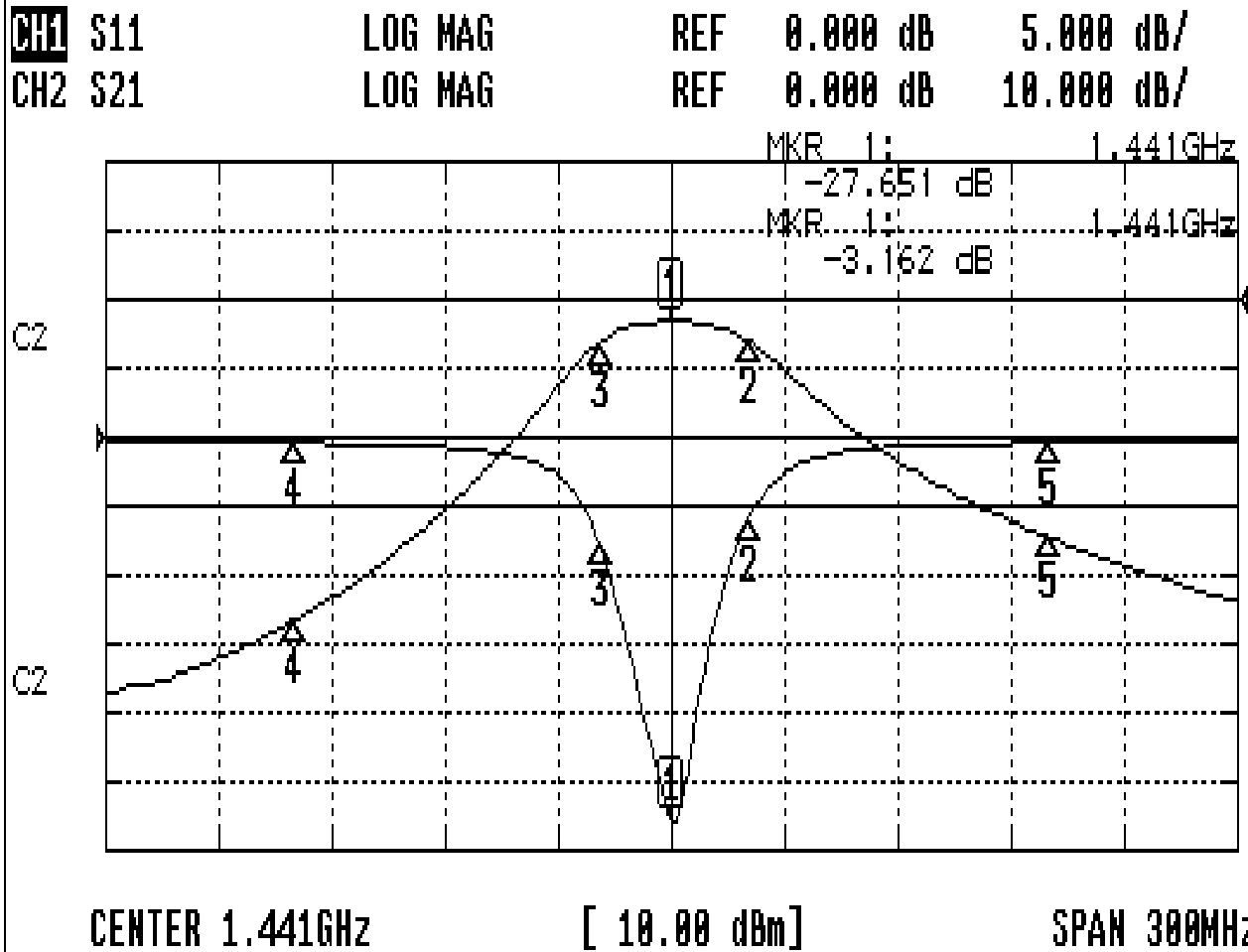
(7) Measuring Circuit: ※Easy to match Impedance S11/S22 50Ω by parallel with about(--) / (--).



Approval C.Y.Chang	Supervisor C.K.Chang	Designer P.H.Chiang	Aperture size 5W3S(3.8*4.0)(4.10) 5HW024RB3
-----------------------	-------------------------	------------------------	---

Performance-TTW3537B-1441M

201112097A



CH1 MARKER LIST

1:	1.441	000GHz	-27.651	dB
2:	1.461	750GHz	-5.800	dB
3:	1.422	000GHz	-7.676	dB
4:	1.341	000GHz	-0.408	dB
5:	1.541	000GHz	-0.412	dB

CH2 MARKER LIST

1:	1.441	000GHz	-3.162	dB
2:	1.461	750GHz	-6.082	dB
3:	1.422	000GHz	-6.106	dB
4:	1.341	000GHz	-46.570	dB
5:	1.541	000GHz	-34.504	dB