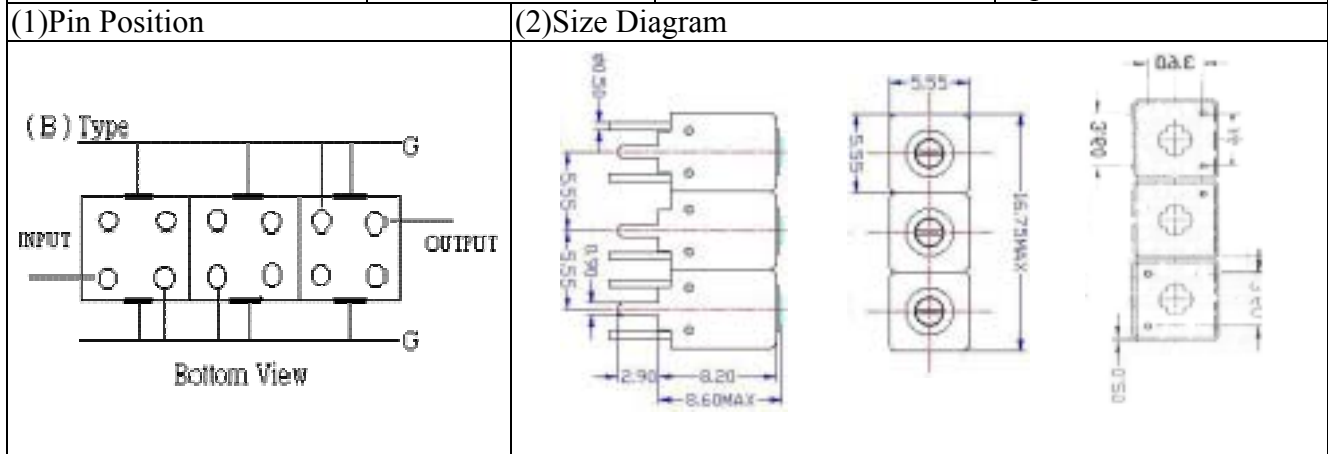
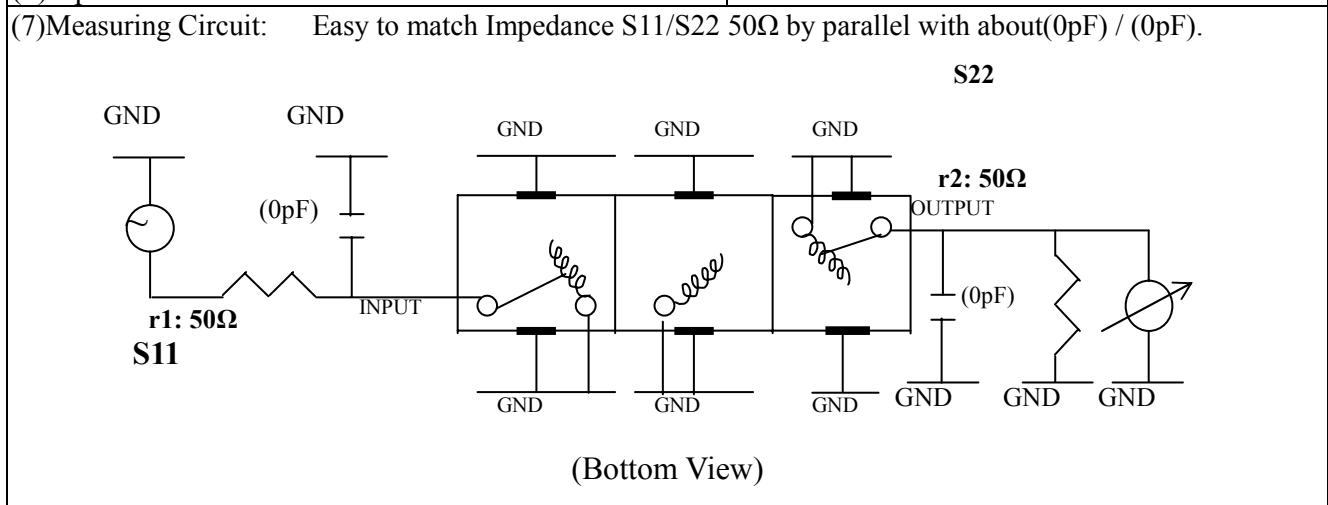


VHF UHF Helical Filter Specification Sheet

Customer Name		Temwell's Part No.	TTW3538B-1489M
Approval No. /dated	200808157C	Temwell's Print Name.	3538B 1489M
Work Instruction No.	200808157C	Date	Sep.04.2008



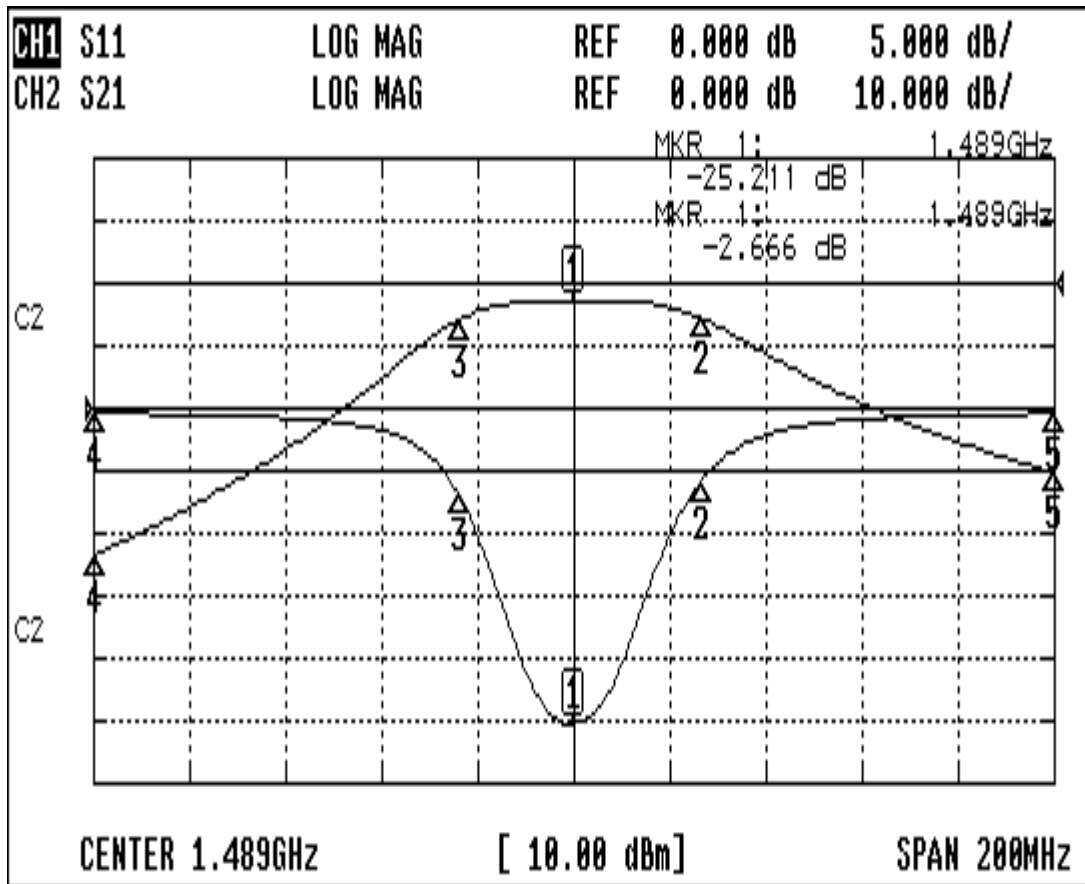
(3) Electric Character	
Item	Specify
Center Freq.(Fo) +/- 0.5 %	1489 MHz
Insertion Loss	Typ. 3.5 dB
-3 dB Bandwidth	Typ. 43 MHz
Sensitivity (Attenuation)	Fo - 100 MHz Typ. 34 dBc
	Fo + 100 MHz Typ. 23 dBc
	Fo - ()MHz Typ. dBc
	Fo +()MHz Typ. dBc
Return Loss	Min. 12 dB
Ripple	< 1 dB
Impedance	In / Out : 50 Ω
(4) Torque for Tuning Screw	> 60gf cm
(5) Temperature Condition:	
Operating Temperature	0 ~ +60
Storage Temperature	-20 ~ +70
(6) Input Power	> 0.5Watt



Approval C.Y.Chang	Supervisor C.S.Chang	Designer C.H.Yeh	Aperture size 5W3S(3.8*4.0) (5HW024RB3)
TEMWELL CORPORATION			

Performance-TTW3538B-1489M

200808157C



CH1 MARKER LIST

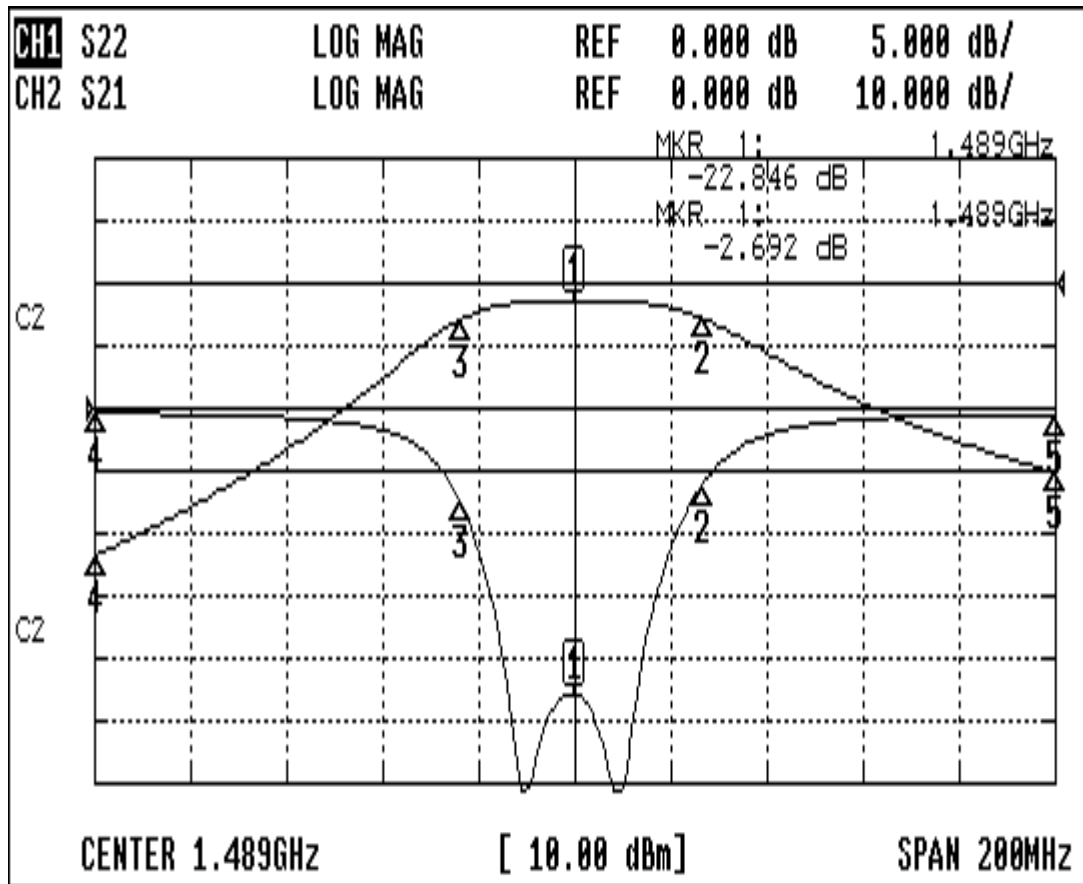
1:	1.489 000GHz	-25.187 dB
2:	1.515 666GHz	-5.748 dB
3:	1.465 166GHz	-6.914 dB
4:	1.389 000GHz	-0.386 dB
5:	1.589 000GHz	-0.417 dB
6:		
7:		
8:		
9:		
10:		

CH2 MARKER LIST

1:	1.489 000GHz	-2.666 dB
2:	1.515 666GHz	-5.632 dB
3:	1.465 166GHz	-5.719 dB
4:	1.389 000GHz	-43.473 dB
5:	1.589 000GHz	-30.226 dB
6:		
7:		
8:		
9:		
10:		

Performance-TTW3538B-1489M

200808157C



CH1 MARKER LIST		
1:	1.489 000GHz	-22.866 dB
2:	1.515 666GHz	-6.078 dB
3:	1.465 166GHz	-7.367 dB
4:	1.389 000GHz	-0.375 dB
5:	1.589 000GHz	-0.440 dB
6:		
7:		
8:		
9:		
10:		

CH2 MARKER LIST		
1:	1.489 000GHz	-2.692 dB
2:	1.515 666GHz	-5.627 dB
3:	1.465 166GHz	-5.748 dB
4:	1.389 000GHz	-43.478 dB
5:	1.589 000GHz	-30.221 dB
6:		
7:		
8:		
9:		
10:		