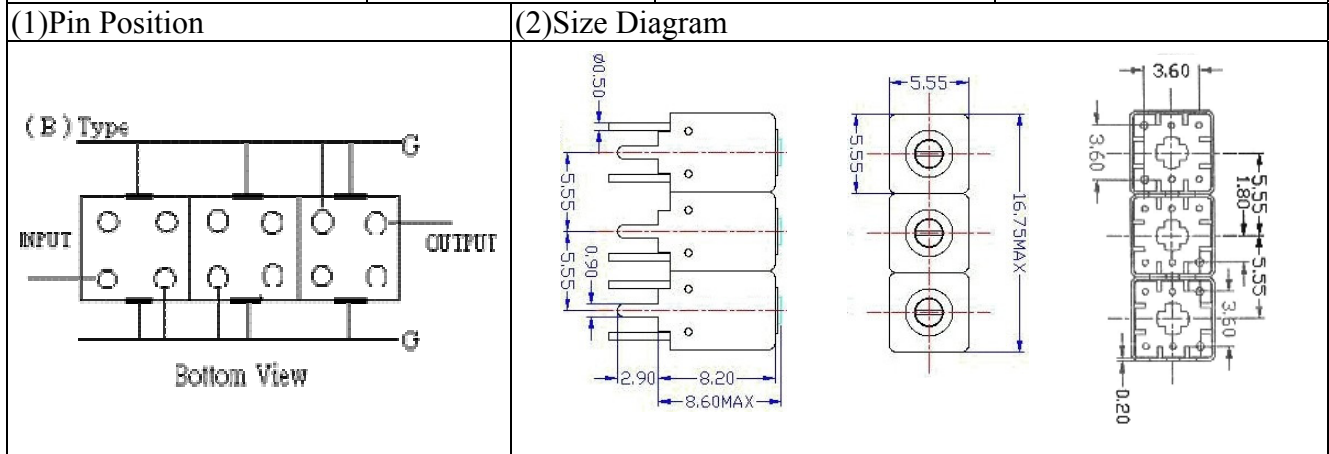
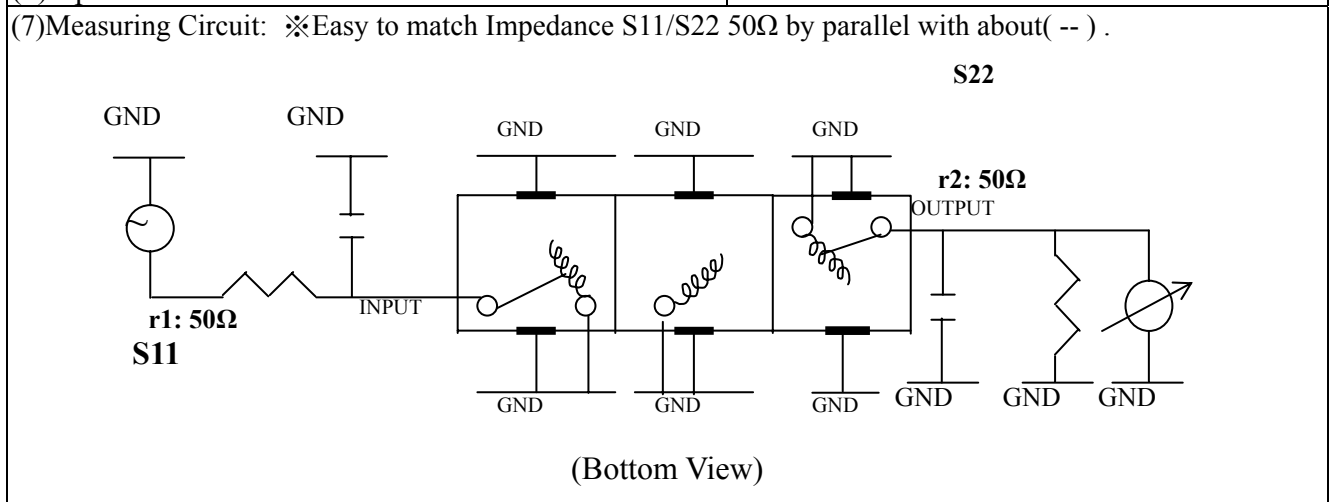


VHF UHF Helical Filter Specification Sheet

Customer Name		Temwell's Part No.	TTW3539B-1489M
Approval No. /dated		Temwell's Print Name.	3539B 1489M
Work Instruction No.	201112098A	Date	Jan.19.2012



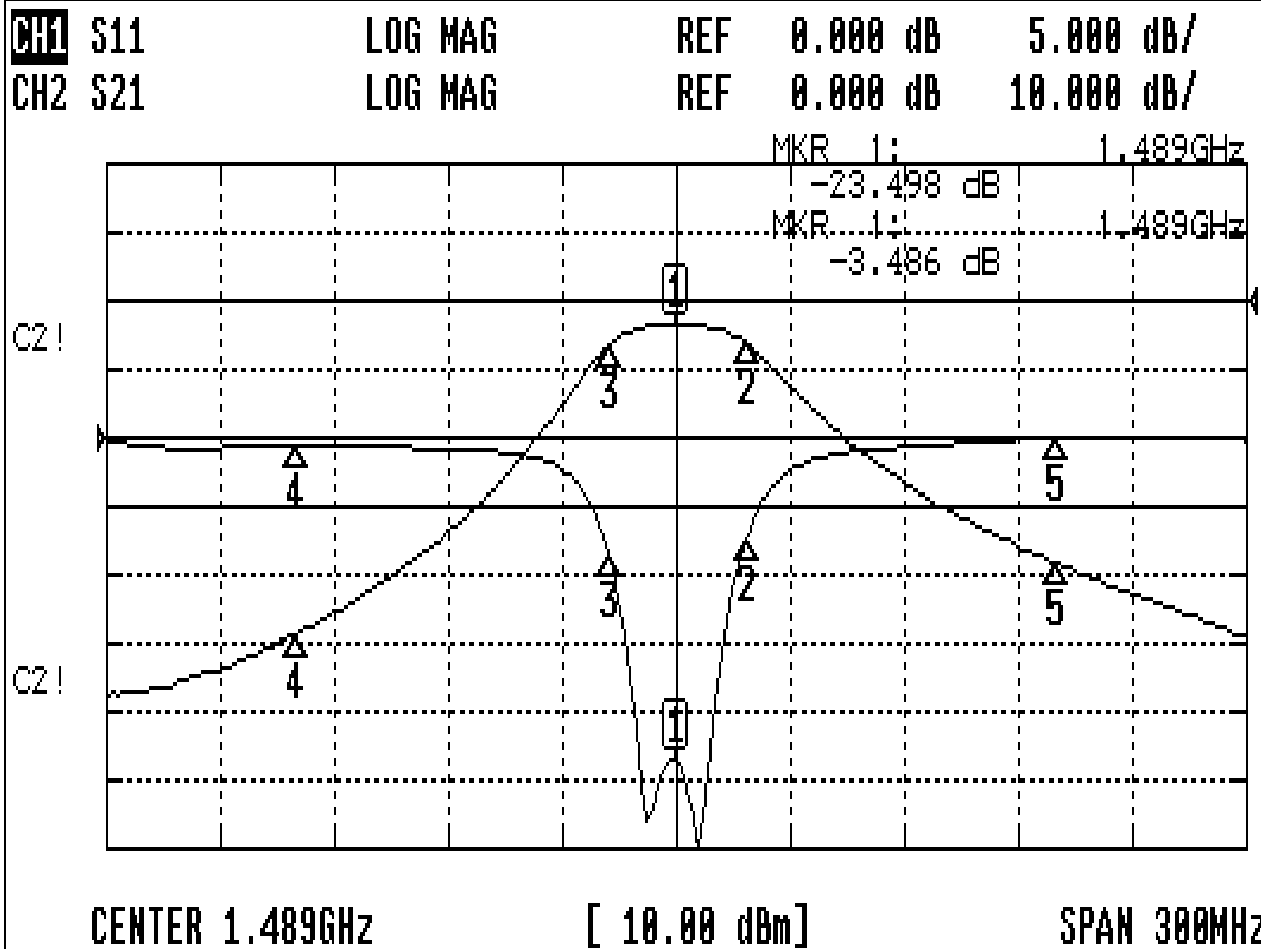
(3) Electric Character		Specify	
Item		Specify	
Center Freq.(Fo) +/- 0.5 %		1489	MHz
Insertion Loss		Typ. 4.0	dB
-3 dB Bandwidth		Typ. 25	MHz
Sensitivity (Attenuation)	Fo - 100 MHz	Typ. 38	dBc
	Fo + 100 MHz	Typ. 30	dBc
	Fo - ()MHz	Typ.	dBc
	Fo +()MHz	Typ.	dBc
Return Loss		Min. 12	dB
Ripple		< 1	dB
Impedance		In / Out : 50 Ω	
(4) Torque for Tuning Screw		> 60gf · cm	
(5) Temperature Condition:			
Operating Temperature		0°C ~ +60°C	
Storage Temperature		-20°C ~ +70°C	
(6) Input Power		> 0.5Watt	



Approval C.Y.Chang	Supervisor C.K.Chang	Designer P.H.Chiang	Aperture size 5W3S(3.8*3.5)(3.59) 5HW024RB3
TEMWELL CORPORATION			

Performance-TTW3539B-1489M

201112098A



CH1 MARKER LIST

1:	1.489	000GHz	-23.498	dB
2:	1.507	750GHz	-7.263	dB
3:	1.471	500GHz	-6.689	dB
4:	1.389	000GHz	-0.502	dB
5:	1.589	000GHz	-0.081	dB

CH2 MARKER LIST

1:	1.489	000GHz	-3.484	dB
2:	1.507	750GHz	-1.412	dB
3:	1.471	500GHz	-1.434	dB
4:	1.389	000GHz	-4.596	dB
5:	1.589	000GHz	-38.280	dB