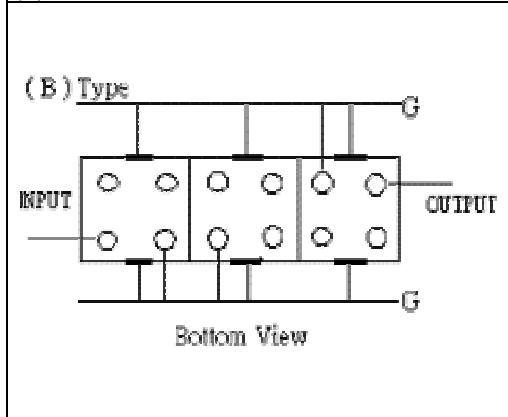


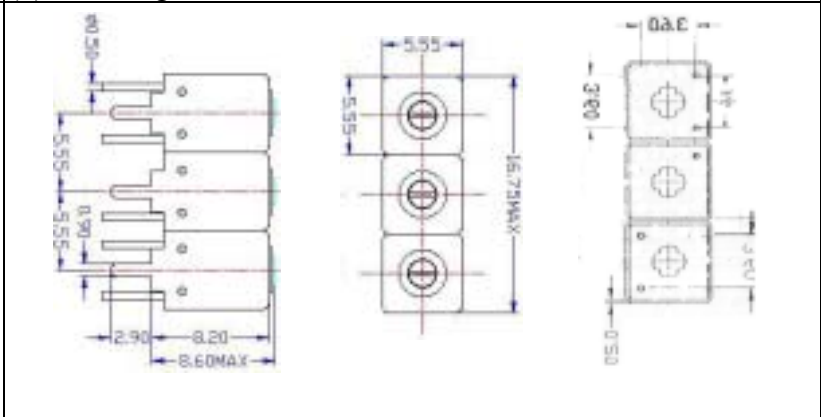
VHF UHF Helical Filter Specification Sheet

Customer Name		Temwell's Part No.	TTW3765B-1575M
Approval No. /dated		Temwell's Print Name.	3765B 1575M
Work Instruction No.	0605021C	Date	May.11.2006

(1) Pin Position



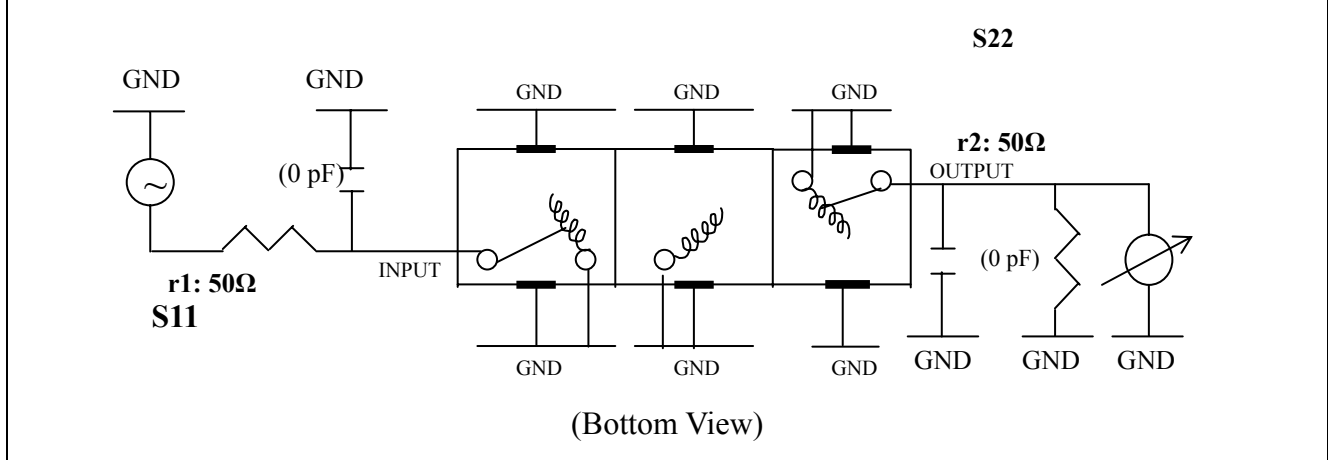
(2) Size Diagram



(3) Electric Charasteric

Item		Specify	
Center Freq (Fo) +/-0.5%		1575	MHz
Tunable Range		1575±20	MHz
Insertion Loss		Typ. 4.0	dB
-3 dB Bandwidth		Typ. 60	MHz
Sensitivity (Attenuation)	Fo - 100 MHz	Typ. 20	dBc
	Fo + 100 MHz	Typ. 12	dBc
	Fo - ()MHz	Typ.	dBc
	Fo +()MHz	Typ.	dBc
Return Loss		Min. 12	dB
Ripple		< 1	dB
Impedance		In / Out : 50 Ω	
(4)Torque for Tuning Screw		> 60gf cm	
(5)Temperature Condition:			
Operating Temperature		-0 ~ +60	
Storage Temperature		-20 ~ +70	
(6)Input Power		>0.5 Watt	

(7)Measuring Circuit: Easy to match Impedance S11/S22 50Ω/ by parallel with about(0 pF) / (0 pF).



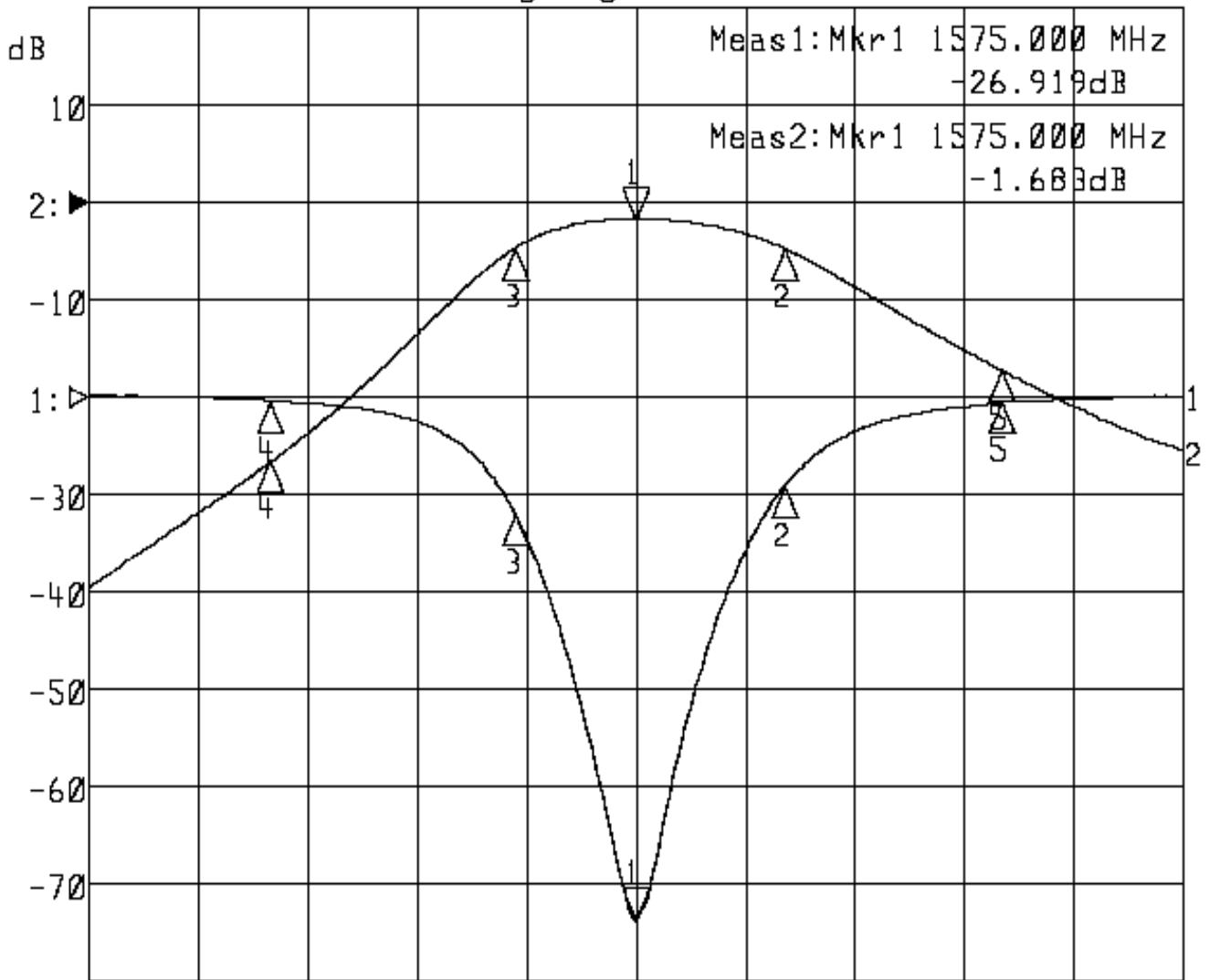
Approval	Supervisor	Designer	Aperture size
C.Y.Chang	C.S.Chang	W.W.Wang	5W3(3.8*4.5)

TEMWELL CORPORATION

Performance-TTW3765B-1575M

0605021C

▽1:S11 Refl Port1 Log Mag 5.0 dB/ Ref 0.00 dB C
 ▼2:S21 Fwd Trans Log Mag 10.0 dB/ Ref 0.00 dB C



Meas1:Mkr1 1575.000 MHz
-26.919dB

Meas2:Mkr1 1575.000 MHz
-1.683dB

Center 1 575.000 MHz

Span 300.000 MHz

1:Mkr (MHz)	dB	2:Mkr (MHz)	dB
1> 1575.0000	-26.919	1> 1575.0000	-1.683
2: 1615.5000	-4.612	2: 1615.5000	-4.682
3: 1542.0000	-5.955	3: 1542.0000	-4.644
4: 1475.0000	-0.196	4: 1475.0000	-26.623
5: 1675.0000	-0.290	5: 1675.0000	-17.137