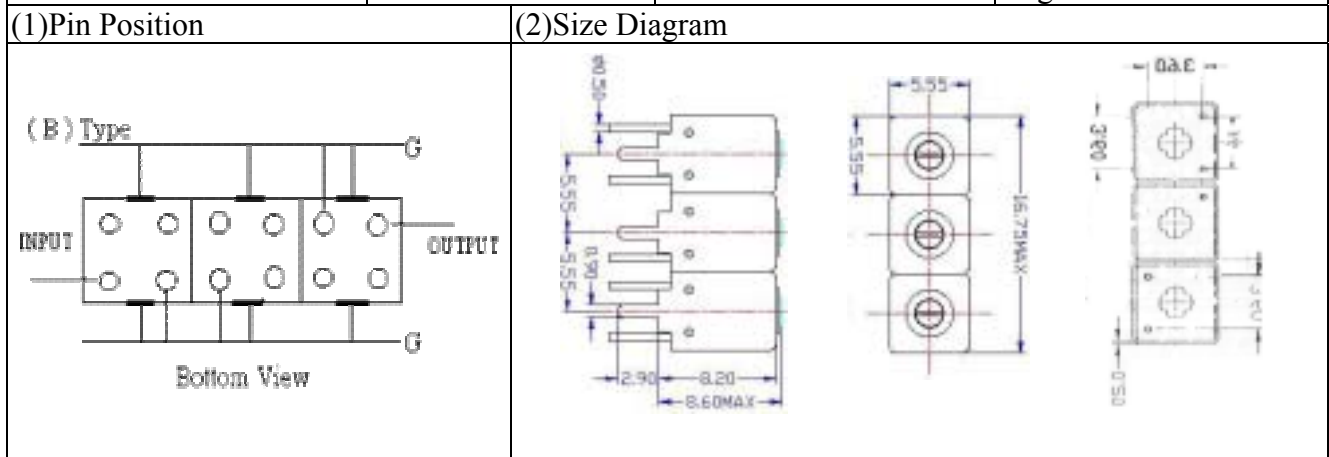


# VHF UHF Helical Filter Specification Sheet

Customer Name		Temwell's Part No.	TTW3875B-2583M
Approval No. /dated	0807079C	Temwell's Print Name.	3875B 2583M
Work Instruction No.	0807079C	Date	Aug.07.2008



### (3)Electric Character

Item	Specify	
Center Freq.(Fo) +/- 0.5 %	2583	MHz
Insertion Loss	Typ. 2.5	dB
-1 dB Bandwidth	Typ. 130	MHz
-3 dB Bandwidth	Typ. 140	MHz
Sensitivity (Attenuation)	Fo - 300 MHz	Typ. 31 dBc
	Fo + 300MHz	Typ. 18 dBc
	Fo - ( )MHz	Typ. dBc
	Fo +( )MHz	Typ. dBc
Return Loss	Min. 12	dB
Ripple	< 1	dB
Impedance	In / Out : 50 Ω	

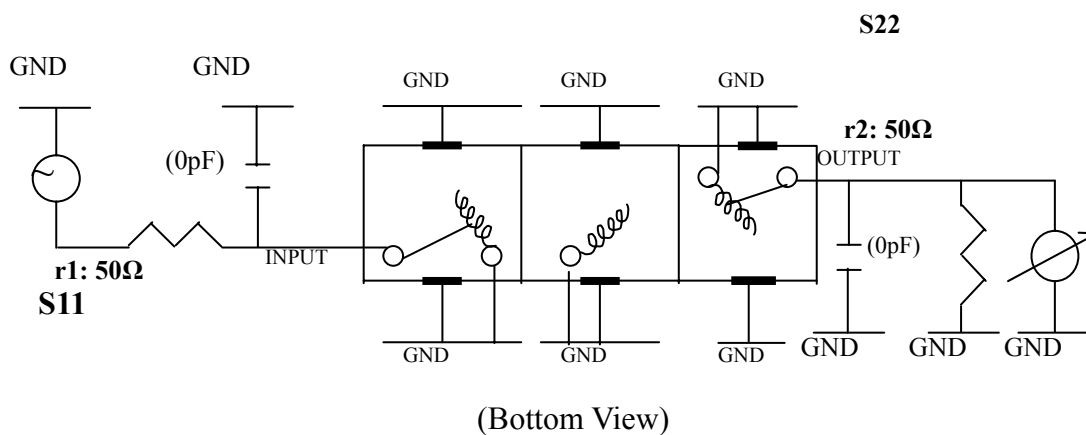
(4)Torque for Tuning Screw > 60gf cm

### (5)Temperature Condition:

Operating Temperature	0 ~ +60
Storage Temperature	-20 ~ +70

(6)Input Power > 0.5Watt

(7)Measuring Circuit: Easy to match Impedance S11/S22 50Ω by parallel with about(0pF) / (0pF).

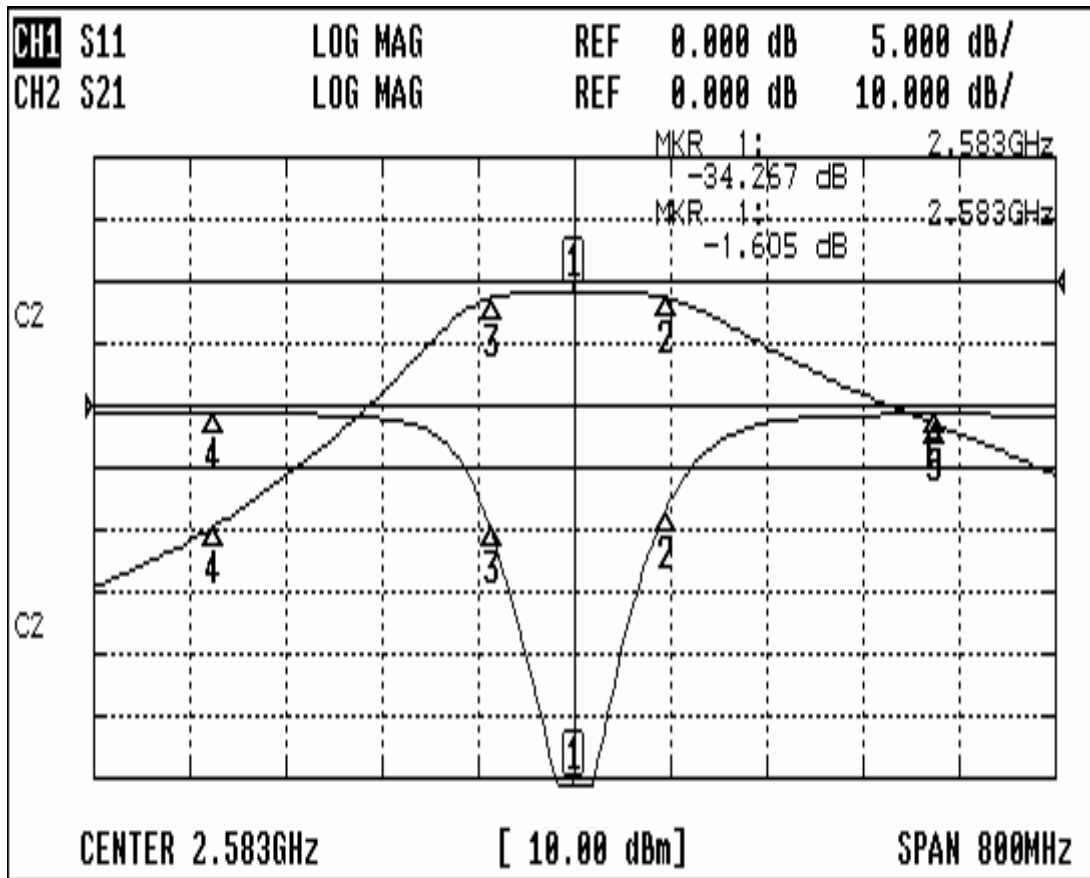


Approval	Supervisor	Designer	Aperture size
C.Y.Chang	C.S.Chang	C.H.Yeh	5W3S(3.8*4.5F) 5HW046RB4

TEMWELL CORPORATION

# Performance-TTW3875B-2583M

## 0807079C



### CH1 MARKER LIST

1:	2.583 000GHz	-34.267 dB
2:	2.659 000GHz	-8.585 dB
3:	2.513 666GHz	-10.001 dB
4:	2.283 000GHz	-0.563 dB
5:	2.883 000GHz	-0.718 dB
6:		
7:		
8:		
9:		
10:		

### CH2 MARKER LIST

1:	2.583 000GHz	-1.605 dB
2:	2.659 000GHz	-2.630 dB
3:	2.513 666GHz	-2.680 dB
4:	2.283 000GHz	-39.413 dB
5:	2.883 000GHz	-22.953 dB
6:		
7:		
8:		
9:		
10:		