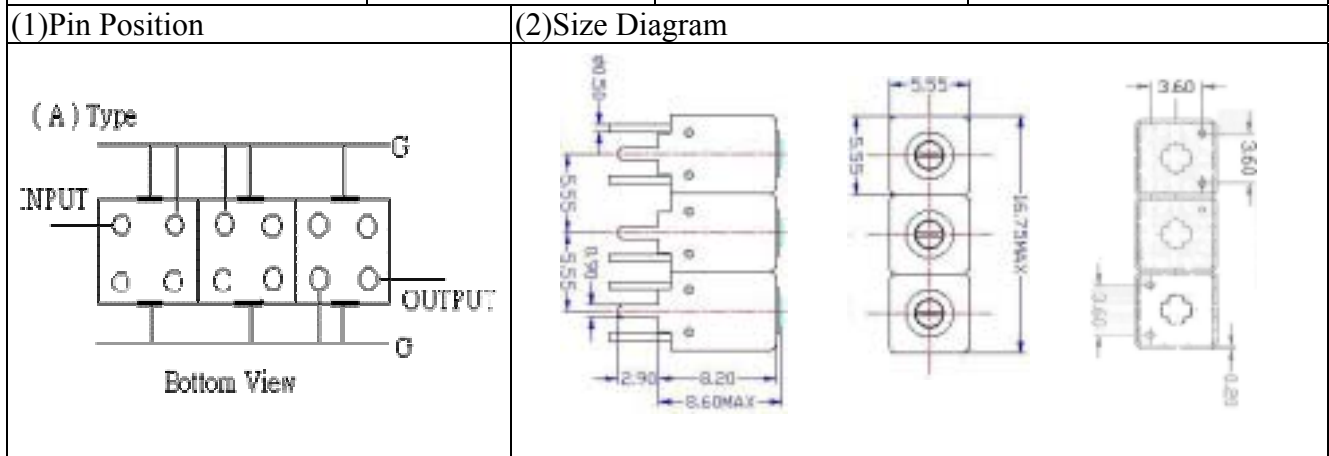


VHF UHF Helical Filter Specification Sheet

Customer Name		Temwell's Part No.	TTW3895A-369M
Approval No. /dated		Temwell's Print Name.	3895B 369M
Work Instruction No.	200810014BD	Date	Oct.07.2008



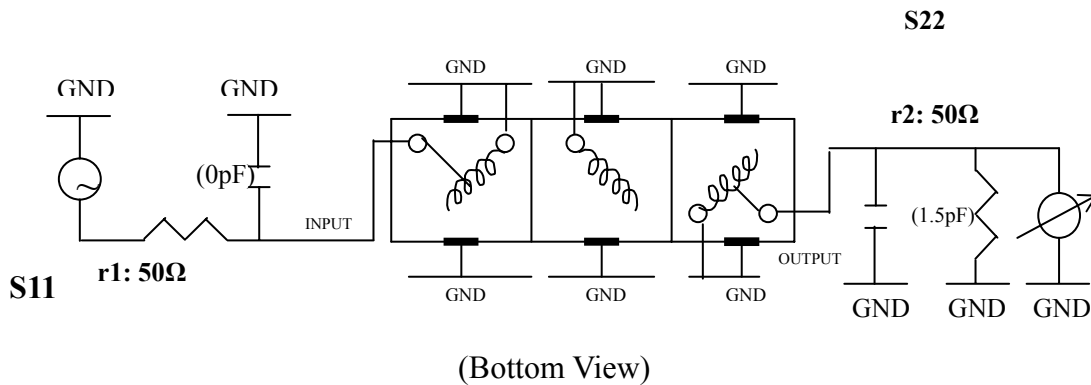
(3) Electric Charasteric	
Item	Specify
Center Freq.(Fo) +/- 0.75 %	369 MHz
Tunable Range:	369±8 MHz
Insertion Loss	Typ 3.5 dB
-3 dB Bandwidth	Typ. 20 MHz
Sensitivity (Attenuation)	Fo -50 MHz Typ. 38 dBc
	Fo +50 MHz Typ. 35 dBc
	Fo - ()MHz Typ. dBc
	Fo +()MHz Typ. dBc
Return Loss	Min. 12 dB
Ripple	< 1 dB
Impedance	In / Out : 50Ω

(4) Torque for Tuning Screw > 100gf cm

(5) Temperature Condition:	
Operating Temperature	-30 ~ +70
Storage Temperature	-30 ~ +80

(6) Input Power > 0.5Watt

(7) Measuring Circuit: Easy to match Impedance S11/S22 50Ω by parallel with about(0 pF) / (1.5 pF).



Approval	Supervisor	Designer	Aperture size
C.Y.Chang	C.S.Chang	P.H.Chiang	5w3(3.8*4.0) 5HW020RB3.5

TEMWELL CORPORATION

