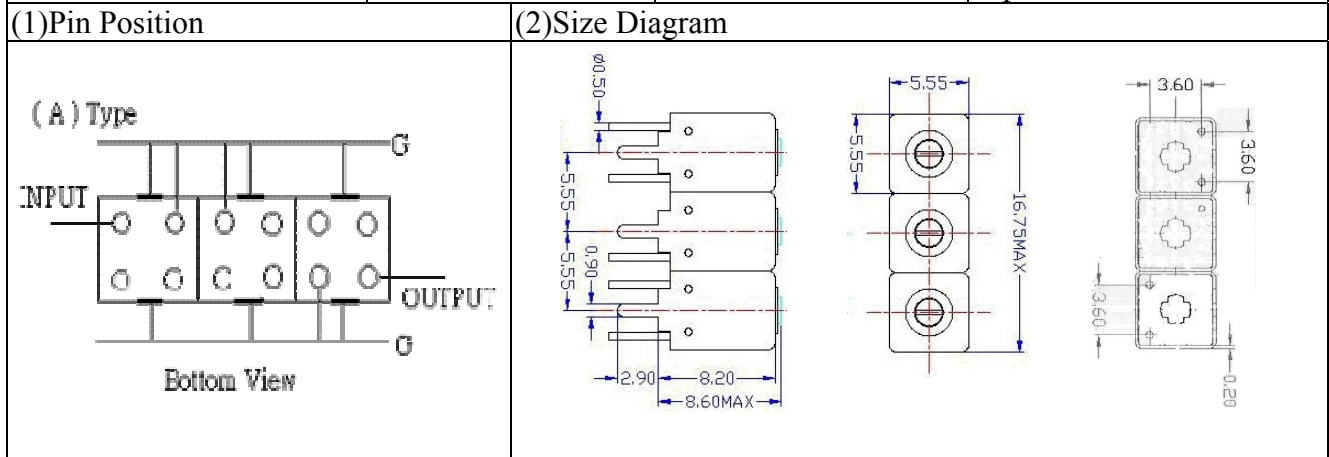


VHF UHF Helical Filter Specification Sheet

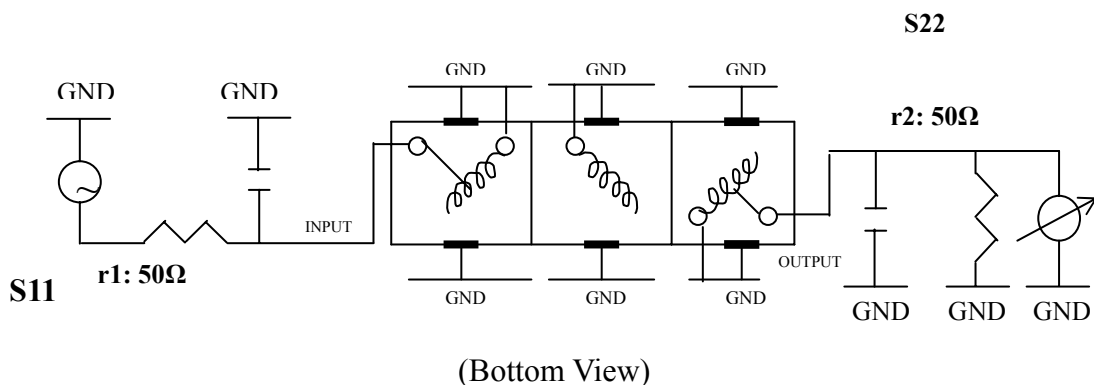
Customer Name		Temwell's Part No.	TTW3898A-510M
Approval No. /dated		Temwell's Print Name.	3898B 510M
Work Instruction No.	201009093CD	Date	Sep.29.2010



(3) Electric Charasteric

Item	Specify	
Center Freq.(Fo) +/- 0.5 %	510	MHz
Insertion Loss	Typ. 3.5	dB
-3 dB Bandwidth	Typ. 20	MHz
Sensitivity (Attenuation)	Fo -50 MHz	Typ. 33 dBc
	Fo +50 MHz	Typ. 31 dBc
	Fo - ()MHz	Typ. dBc
	Fo +()MHz	Typ. dBc
Return Loss	Min. 12	dB
Ripple	< 1 dB	
Impedance	In / Out : 50Ω	
(4)Torque for Tuning Screw	> 60gf cm	
(5)Temperature Condition:		
Operating Temperature	0 ~ +60	
Storage Temperature	-20 ~ +70	
(6)Input Power	>0.5Watt	

(7)Measuring Circuit: Easy to match Impedance S11/S22 50Ω by parallel with about () / ().



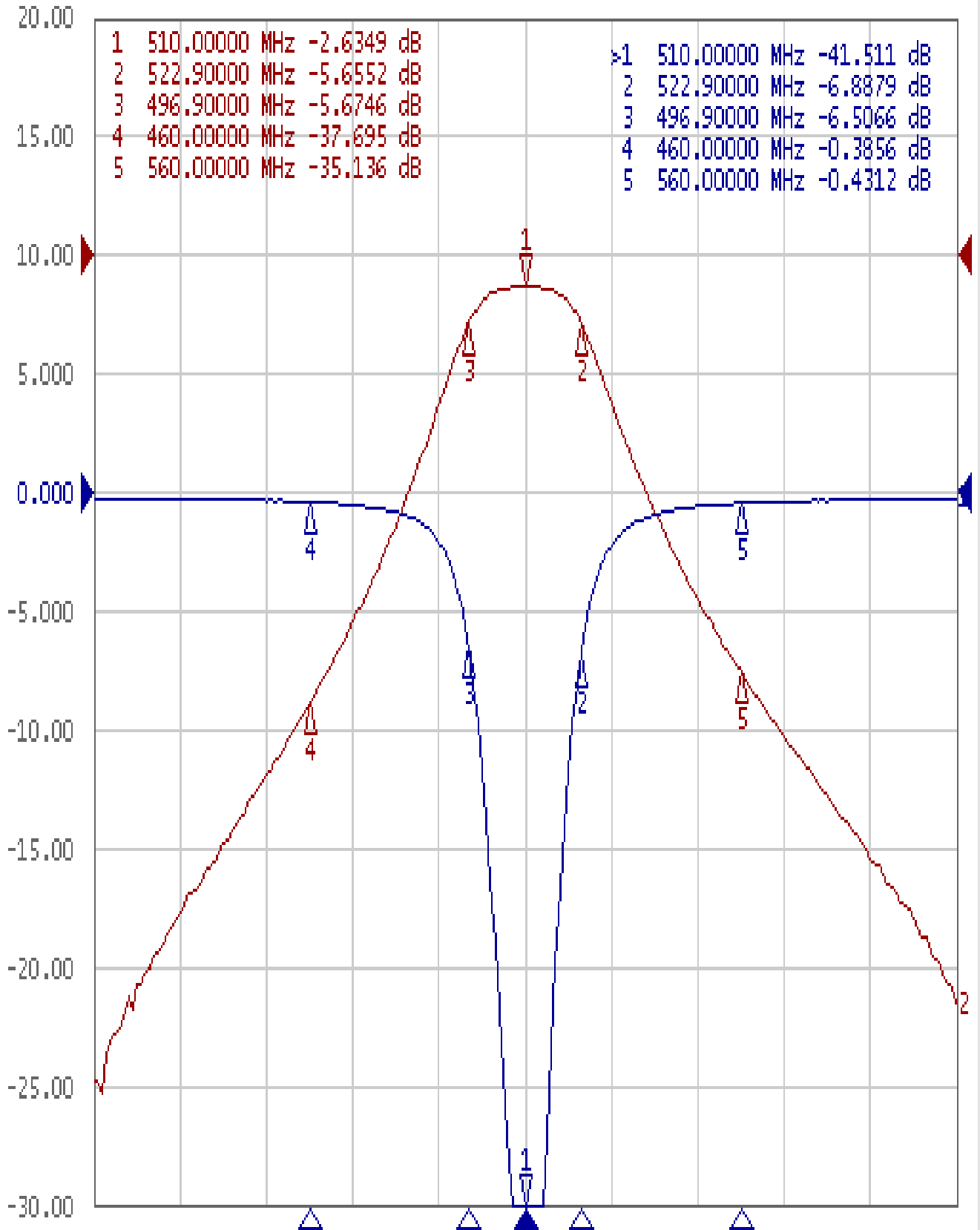
Approval	Supervisor	Designer	Aperture size
C.Y.Chang	C.K.Chang	P.H.Chiang	5w3(3.8*4.0)(4.06) 5HW020RB3.5
TEMWELL CORPORATION			

Performance-TTW3898A-510M

201009093CD

Tr1 S11 Log Mag 5.000dB/ Ref 0.000dB [F2]

Tr2 S21 Log Mag 10.00dB/ Ref 0.000dB [F2]



1 Center 510 MHz

IFBW 70 kHz

Span 200 MHz Cor !