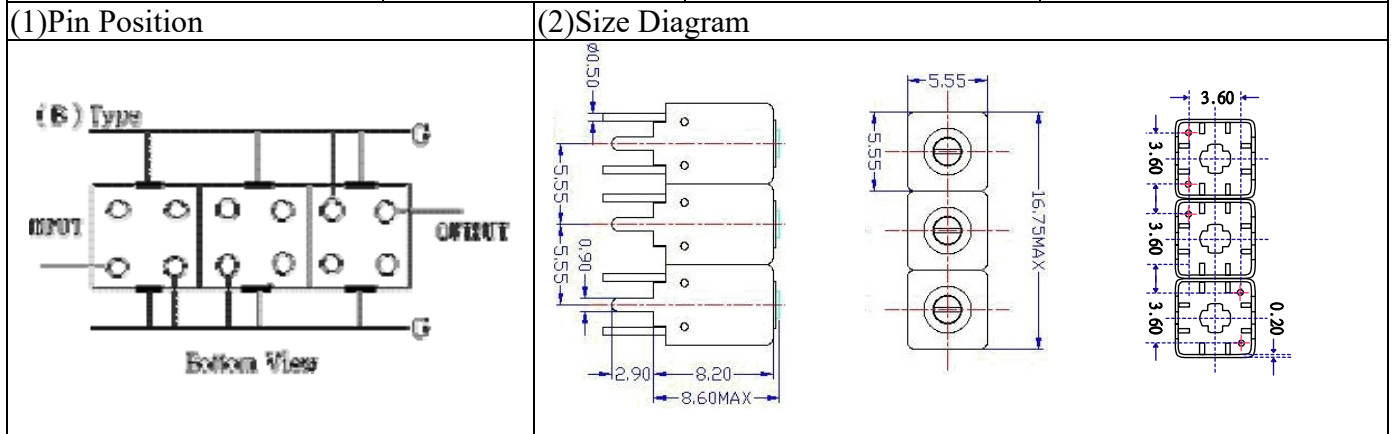
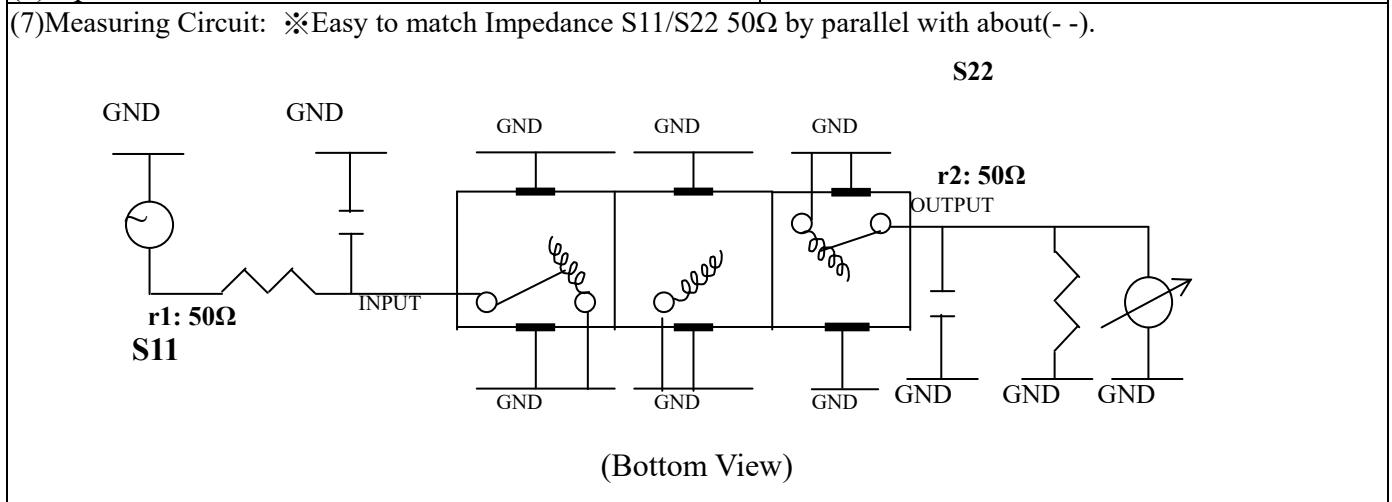


VHF UHF Helical Filter Specification Sheet

Customer Name		Temwell's Part No.	TTW3986B-610M
Approval No. /dated		Temwell's Print Name.	3986B 610M
Work Instruction No.	201411010BD	Date	Nov.13.2014



(3)Electric Character	
Item	Specify
Center Freq.(Fo) +/- 0.5 %	610 MHz
Insertion Loss	Typ. 5.0 dB
-3 dB Bandwidth	Typ. 8 MHz
Sensitivity (Attenuation)	Fo - 15 MHz Typ. 10 dB
	Fo + 20 MHz Typ. 10 dB
	Fo - 60 MHz Typ. 60 dB
	Fo +90 MHz Typ. 60 dB
Return Loss	Min. 12 dB
Ripple	< 1 dB
Impedance	In / Out : 50 Ω
(4)Torque for Tuning Screw	> 60gf · cm
(5)Temperature Condition:	
Operating Temperature	0°C ~ +60°C
Storage Temperature	-20°C ~ +70°C
(6)Input Power	> 0.5Watt

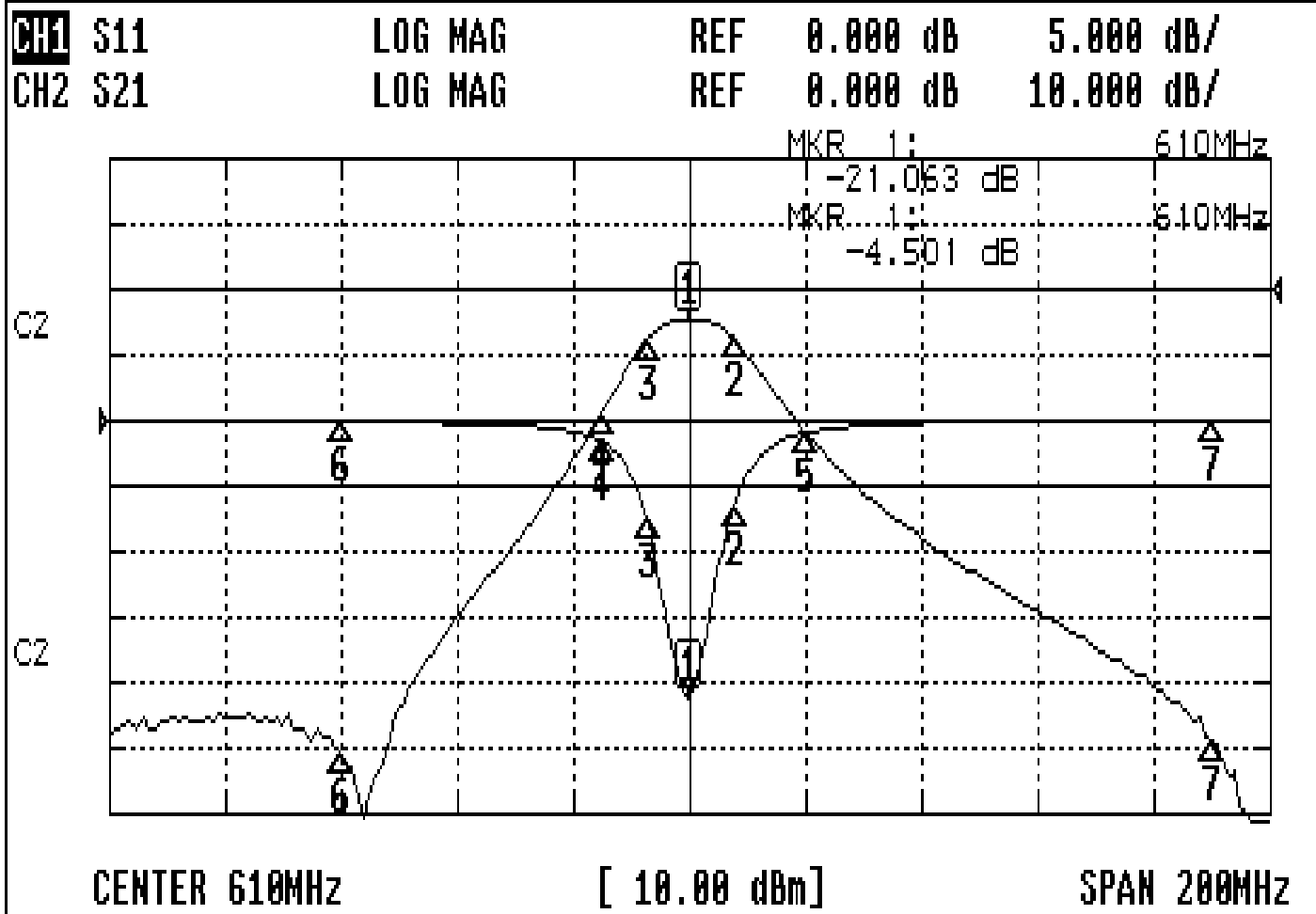


Approval	Supervisor	Designer	Aperture size
C.Y.Chang	C.K.Chang	M.Y.Kang	5W3S(3.8*4.0)(4.09) 5HW024LB3 (J2)

TEMWELL CORPORATION

Performance-TTW3986B-610M

201411010BD



CH1 MARKER LIST

1	610.000MHz	-21.066	0.000
2	617.833MHz	-16.555	0.000
3	602.666MHz	-7.438	0.000
4	599.000MHz	-1.597	0.000
5	630.000MHz	-0.916	0.000
6	550.000MHz	-0.057	0.000
7	700.000MHz	0.062	0.000

CH2 MARKER LIST

1	610.000MHz	-4.501	0.000
2	617.833MHz	-7.551	0.000
3	602.666MHz	-7.507	0.000
4	599.000MHz	-18.785	0.000
5	630.000MHz	-21.736	0.000
6	550.000MHz	-70.667	0.000
7	700.000MHz	-67.527	0.000