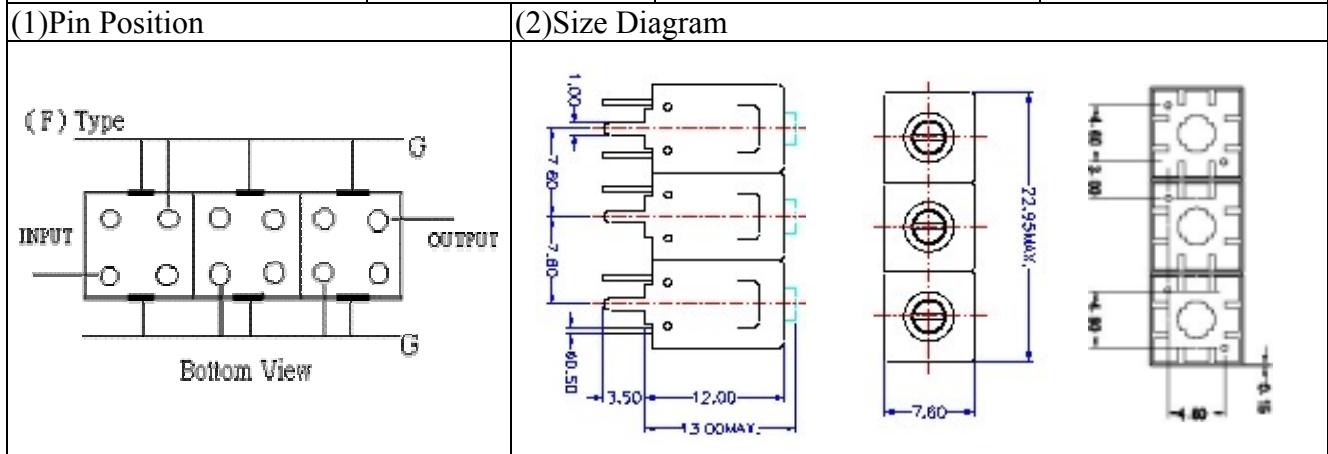
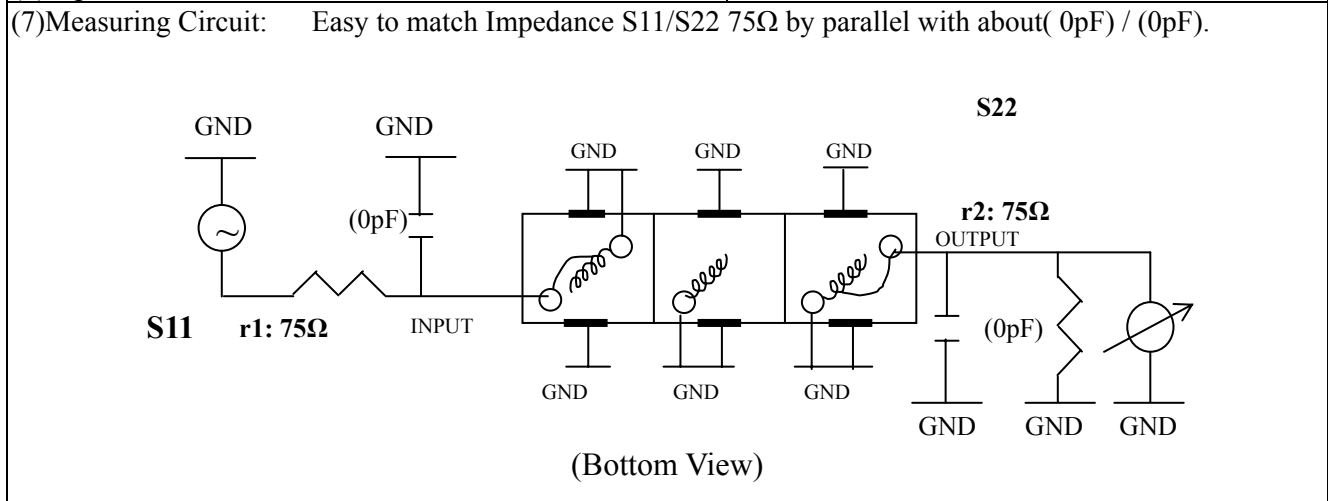


# VHF UHF Helical Filter Specification Sheet

Customer Name		Temwell's Part No.	TTL63254F-175.25M
Approval No. /dated	0811102C	Temwell's print name	63254F 175.25M
Work Instruction No.	200811102C	Date	Dec.08.2008



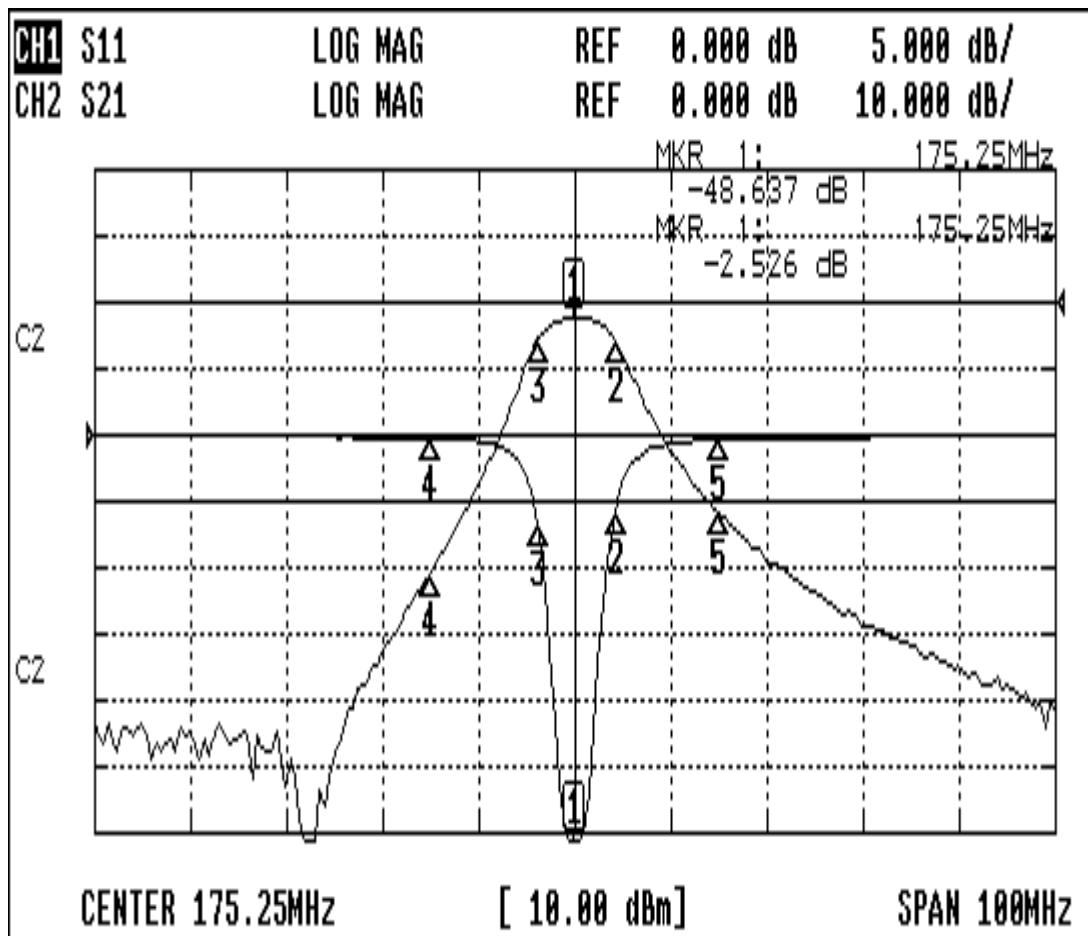
(3) Electric Charasteric		Item	Specify
		Center Freq.(Fo ) +/- 0.5 %	175.25 MHz
		Insertion Loss	Typ. 3.5 dB
		-3 dB Bandwidth	Typ. 6 MHz
Sensitivity (Attenuation )	Fo - 15 MHz	Typ. 35 dB	
	Fo + 15 MHz	Typ. 25 dB	
	Fo - ( )MHz	Typ. dB	
	Fo +( )MHz	Typ. dB	
		Return Loss	Min. 12 dB
		Ripple	< 1 dB
		Impedance	In / Out : 75 Ω
(4) Torque for Tuning Screw			> 100gf cm
(5) Temperature Condition:			
Operating Temperature			0 ~ +60
Storage Temperature			-20 ~ +70
(6) Input Power			> 1Watt



Approval C.Y.Chang	Supervisor C.S.Chang	Designer C.H.Yeh	Aperture size 7H3S(4*6.35F) 7H024LB4
TEMWELL CORPORATION			

# Performance-TTL63254F-175.25M

## 200811102C



### CH1 MARKER LIST

1:	175.250MHz	-48.637 dB
2:	179.500MHz	-5.828 dB
3:	171.416MHz	-6.777 dB
4:	160.250MHz	-0.227 dB
5:	190.250MHz	-0.328 dB
6:		
7:		
8:		
9:		
10:		

### CH2 MARKER LIST

1:	175.250MHz	-2.526 dB
2:	179.500MHz	-5.692 dB
3:	171.416MHz	-5.656 dB
4:	160.250MHz	-40.729 dB
5:	190.250MHz	-31.667 dB
6:		
7:		
8:		
9:		
10:		