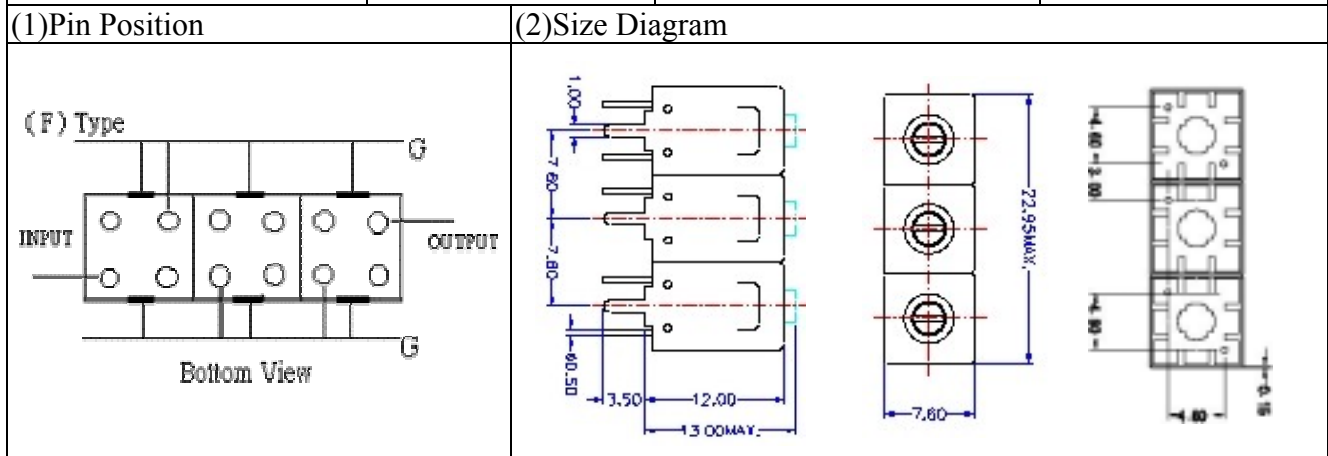


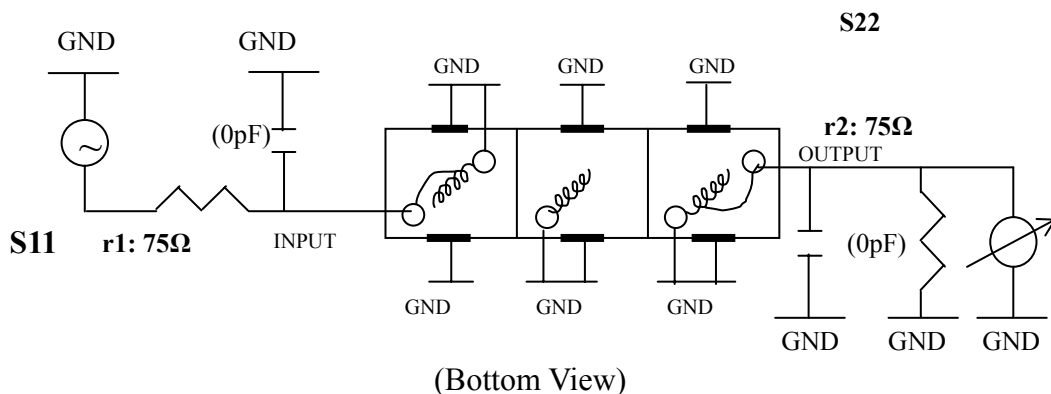
VHF UHF Helical Filter Specification Sheet

Customer Name		Temwell's Part No.	TTL63256F-187.25M
Approval No. /dated	0811104C	Temwell's print name	63256F 187.25M
Work Instruction No.	200811104C	Date	Dec.09.2008



(3) Electric Charasteric		Item	Specify
		Center Freq.(Fo) +/- 0.5 %	187.25 MHz
		Insertion Loss	Typ. 3.5 dB
		-3 dB Bandwidth	Typ. 6 MHz
Sensitivity (Attenuation)	Fo - 15 MHz	Typ.	27 dB
	Fo + 15 MHz	Typ.	26 dB
	Fo - ()MHz	Typ.	dB
	Fo +()MHz	Typ.	dB
		Return Loss	Min. 12 dB
		Ripple	< 1 dB
		Impedance	In / Out : 75 Ω
(4)Torque for Tuning Screw			> 100gf cm
(5)Temperature Condition:			
Operating Temperature			0 ~ +60
Storage Temperature			-20 ~ +70
(6)Input Power			> 1Watt

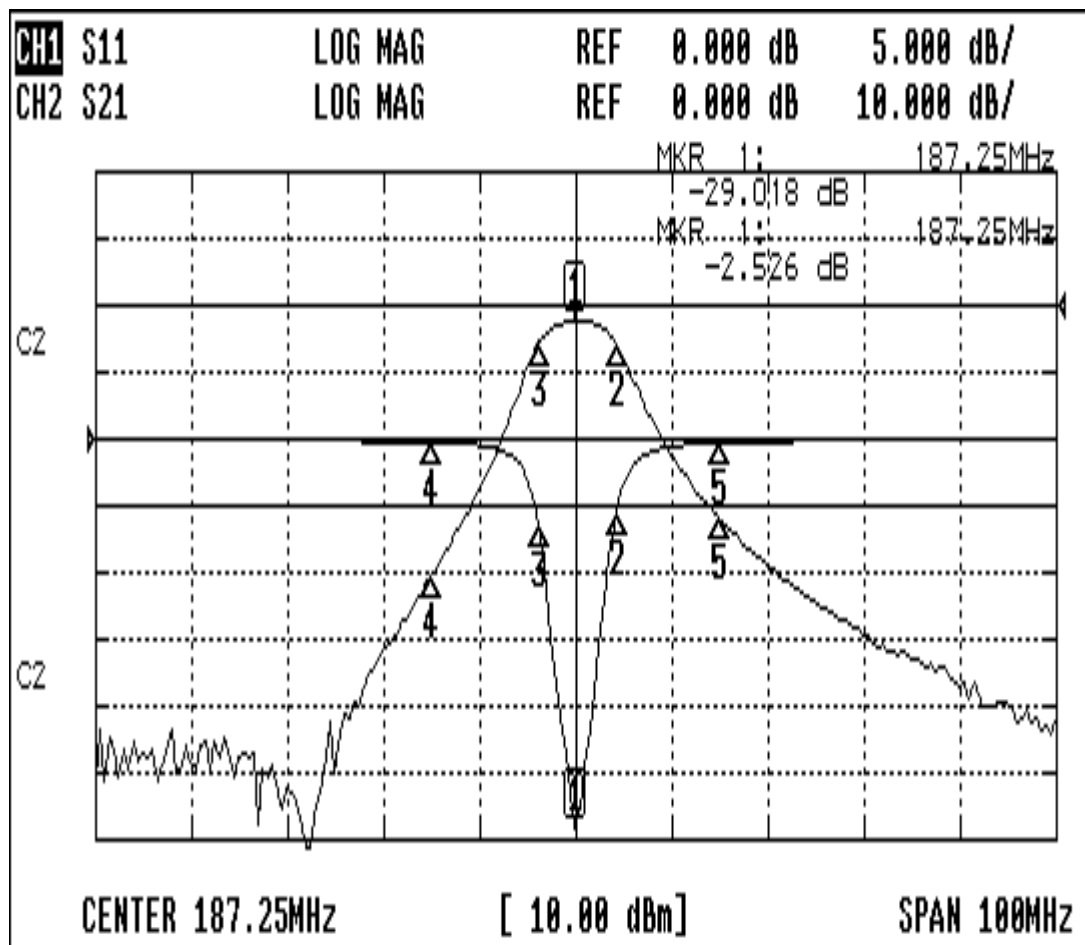
(7)Measuring Circuit: Easy to match Impedance S11/S22 75Ω by parallel with about(0pF) / (0pF).



Approval C.Y.Chang	Supervisor C.S.Chang	Designer C.H.Yeh	Aperture size 7H3S(4*6.35F) 7H024LB4
TEMWELL CORPORATION			

Performance-TTL63256F-187.25M

200811104C



CH1 MARKER LIST

1:	187.250MHz	-29.018 dB
2:	191.500MHz	-5.632 dB
3:	183.416MHz	-6.506 dB
4:	172.250MHz	-0.236 dB
5:	202.250MHz	-0.266 dB
6:		
7:		
8:		
9:		
10:		

CH2 MARKER LIST

1:	187.250MHz	-2.519 dB
2:	191.500MHz	-5.648 dB
3:	183.416MHz	-5.617 dB
4:	172.250MHz	-40.646 dB
5:	202.250MHz	-31.999 dB
6:		
7:		
8:		
9:		
10:		