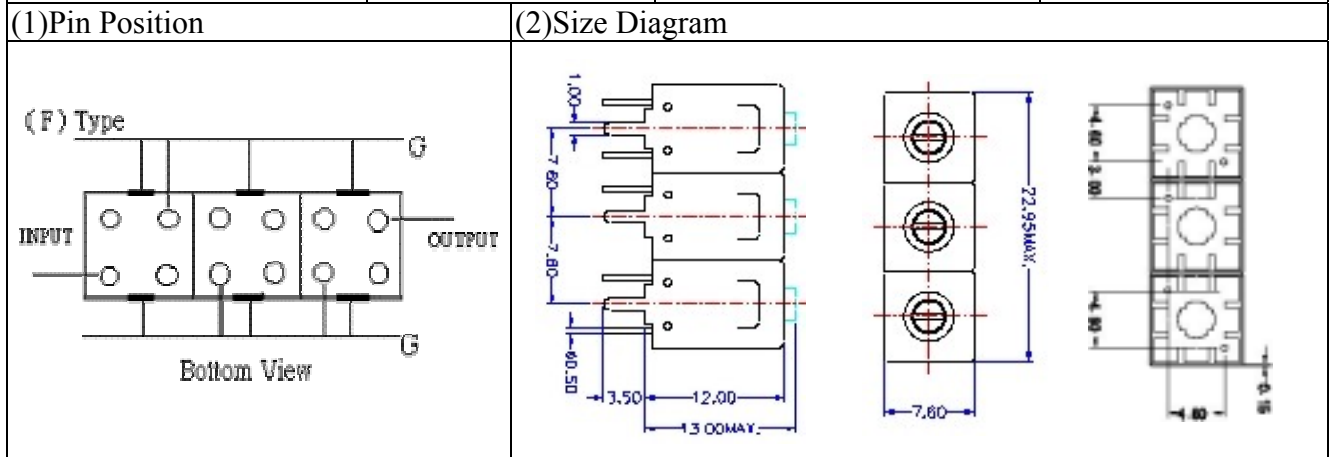
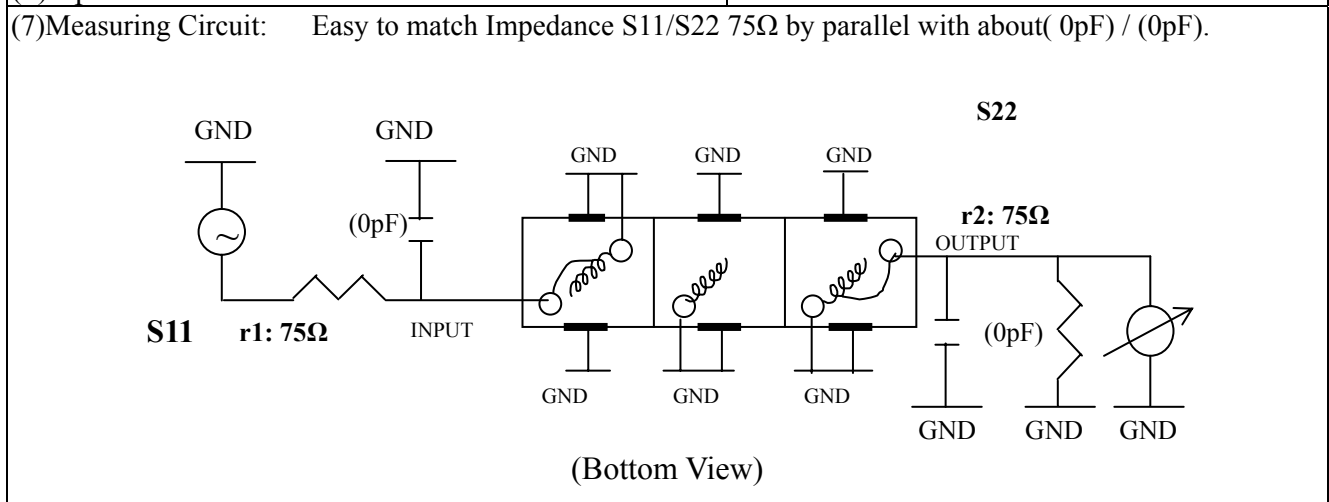


9VHF UHF Helical Filter Specification Sheet

Customer Name		Temwell's Part No.	TTL63259F-205.25M
Approval No. /dated	0811106C	Temwell's print name	63259F 205.25M
Work Instruction No.	200811106C	Date	Dec.29.2008



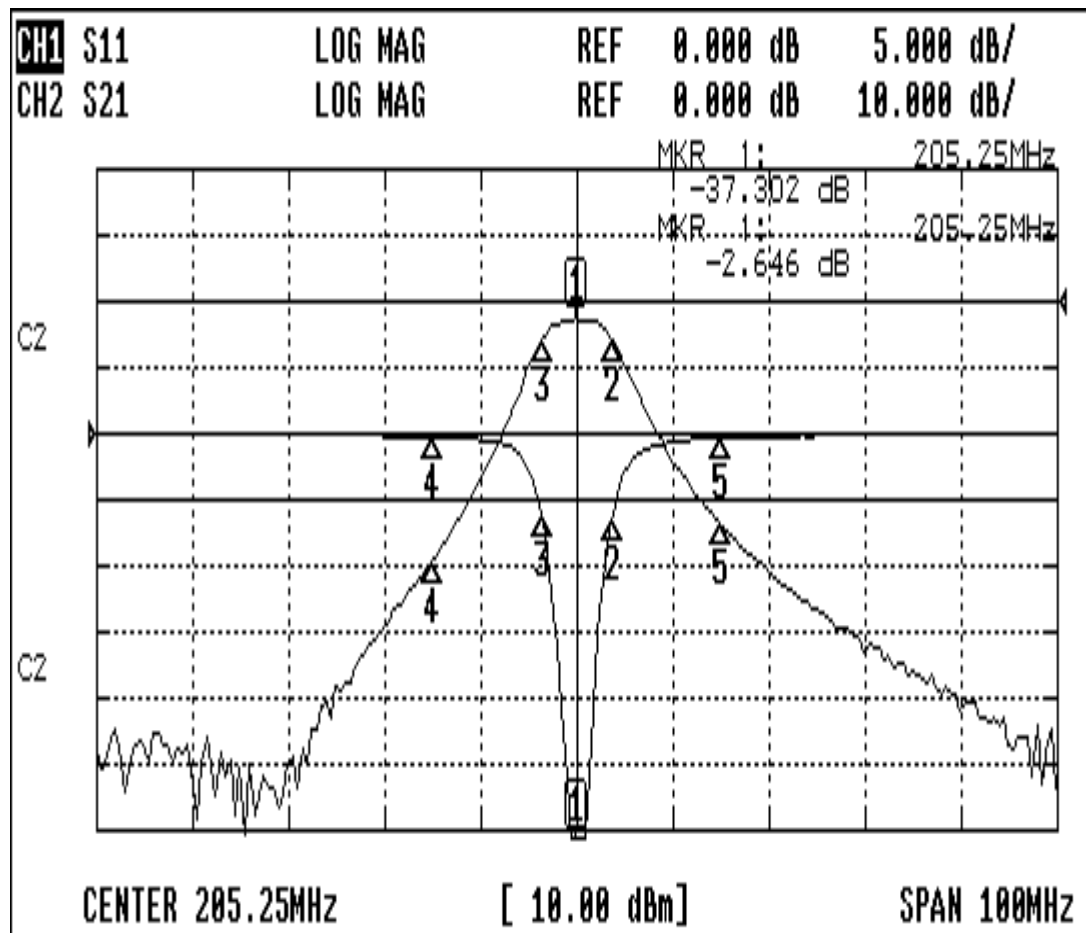
(3) Electric Charasteric		Item	Specify
		Center Freq.(Fo) +/- 0.5 %	205.25 MHz
		Insertion Loss	Typ. 4.0 dB
		-3 dB Bandwidth	Typ. 6 MHz
Sensitivity (Attenuation)	Fo - 15 MHz	Typ.	32 dB
	Fo + 15 MHz	Typ.	27 dB
	Fo - ()MHz	Typ.	dB
	Fo +()MHz	Typ.	dB
		Return Loss	Min. 12 dB
		Ripple	< 1 dB
		Impedance	In / Out : 75 Ω
		(4)Torque for Tuning Screw	> 100gf cm
		(5)Temperature Condition:	
		Operating Temperature	0 ~ +60
		Storage Temperature	-20 ~ +70
		(6)Input Power	> 1Watt



Approval C.Y.Chang	Supervisor C.S.Chang	Designer C.H.Yeh	Aperture size 7H3S(4*5.5F)(5.57) 7H024LB4
TEMWELL CORPORATION			

Performance-TTL63259F-205.25M

200811106C



CH1 MARKER LIST

1:	205.250MHz	-37.302 dB
2:	209.000MHz	-6.267 dB
3:	201.666MHz	-6.272 dB
4:	190.250MHz	-0.226 dB
5:	220.250MHz	-0.301 dB
6:		
7:		
8:		
9:		
10:		

CH2 MARKER LIST

1:	205.250MHz	-2.646 dB
2:	209.000MHz	-6.674 dB
3:	201.666MHz	-5.760 dB
4:	190.250MHz	-38.901 dB
5:	220.250MHz	-33.727 dB
6:		
7:		
8:		
9:		
10:		