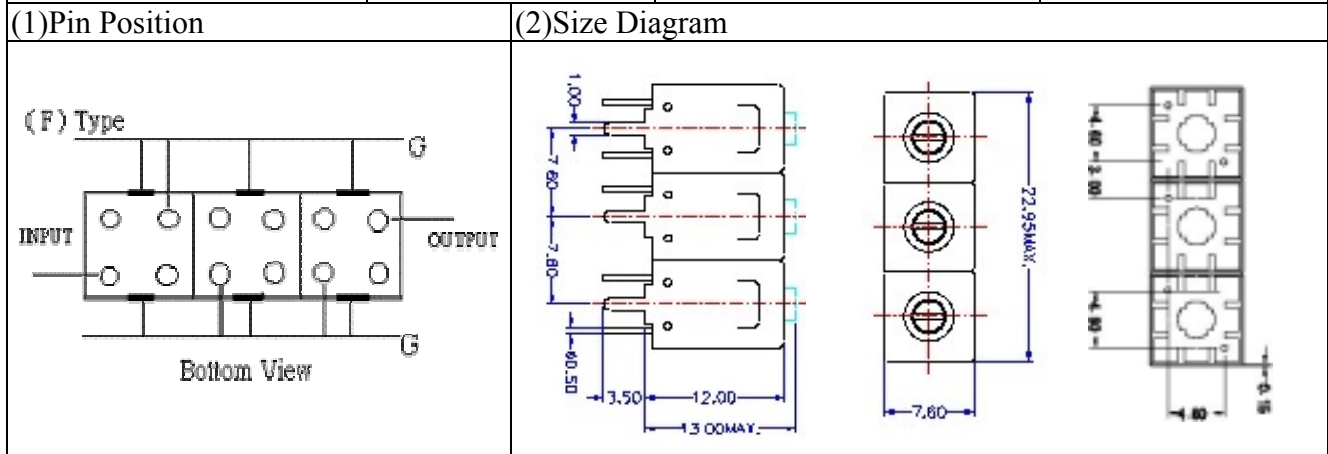


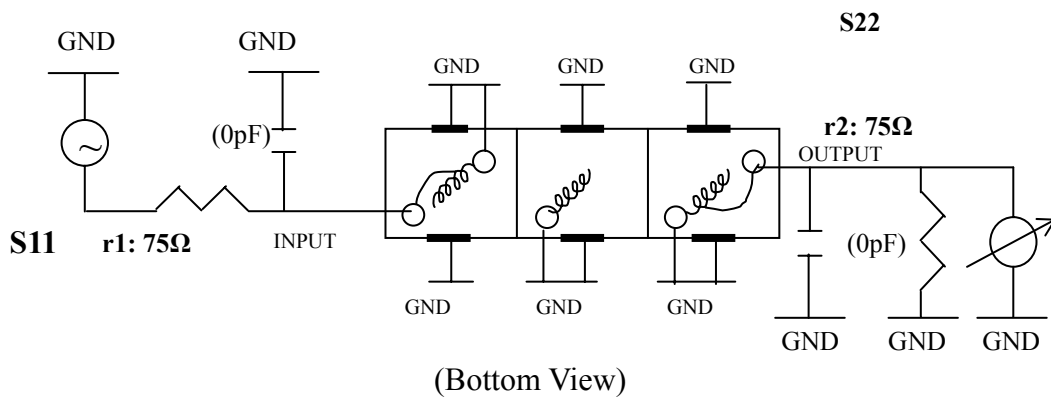
VHF UHF Helical Filter Specification Sheet

Customer Name		Temwell's Part No.	TTL63260F-211.25M
Approval No. /dated	0811107C	Temwell's print name	63260F 211.25M
Work Instruction No.	200811107C	Date	Dec.09.2008



(3) Electric Charasteric		Item	Specify
		Center Freq.(Fo) +/- 0.5 %	211.25 MHz
		Insertion Loss	Typ. 4.0 dB
		-3 dB Bandwidth	Typ. 6 MHz
Sensitivity (Attenuation)	Fo - 15 MHz	Typ. 31 dB	
	Fo + 15 MHz	Typ. 25 dB	
	Fo - ()MHz	Typ. dB	
	Fo +()MHz	Typ. dB	
Return Loss		Min. 12 dB	
Ripple		< 1 dB	
Impedance		In / Out : 75 Ω	
(4) Torque for Tuning Screw		> 100gf cm	
(5) Temperature Condition:			
Operating Temperature		0 ~ +60	
Storage Temperature		-20 ~ +70	
(6) Input Power		> 1Watt	

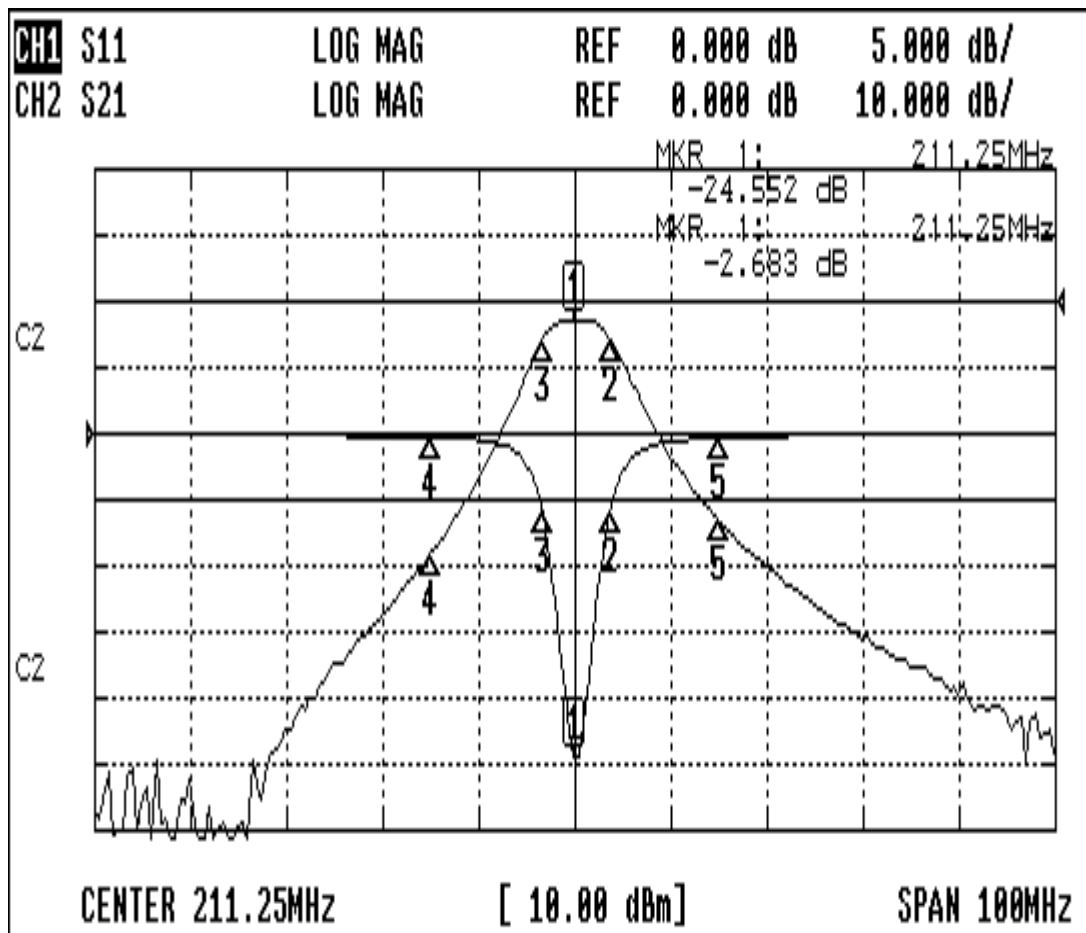
(7) Measuring Circuit: Easy to match Impedance S11/S22 75Ω by parallel with about(0pF) / (0pF).



Approval C.Y.Chang	Supervisor C.S.Chang	Designer W.W.Wang	Aperture size 7H3S(4*5.5F) 7H024LB4
TEMWELL CORPORATION			

Performace-TTL63260F-211.25M

200811107C



CH1 MARKER LIST

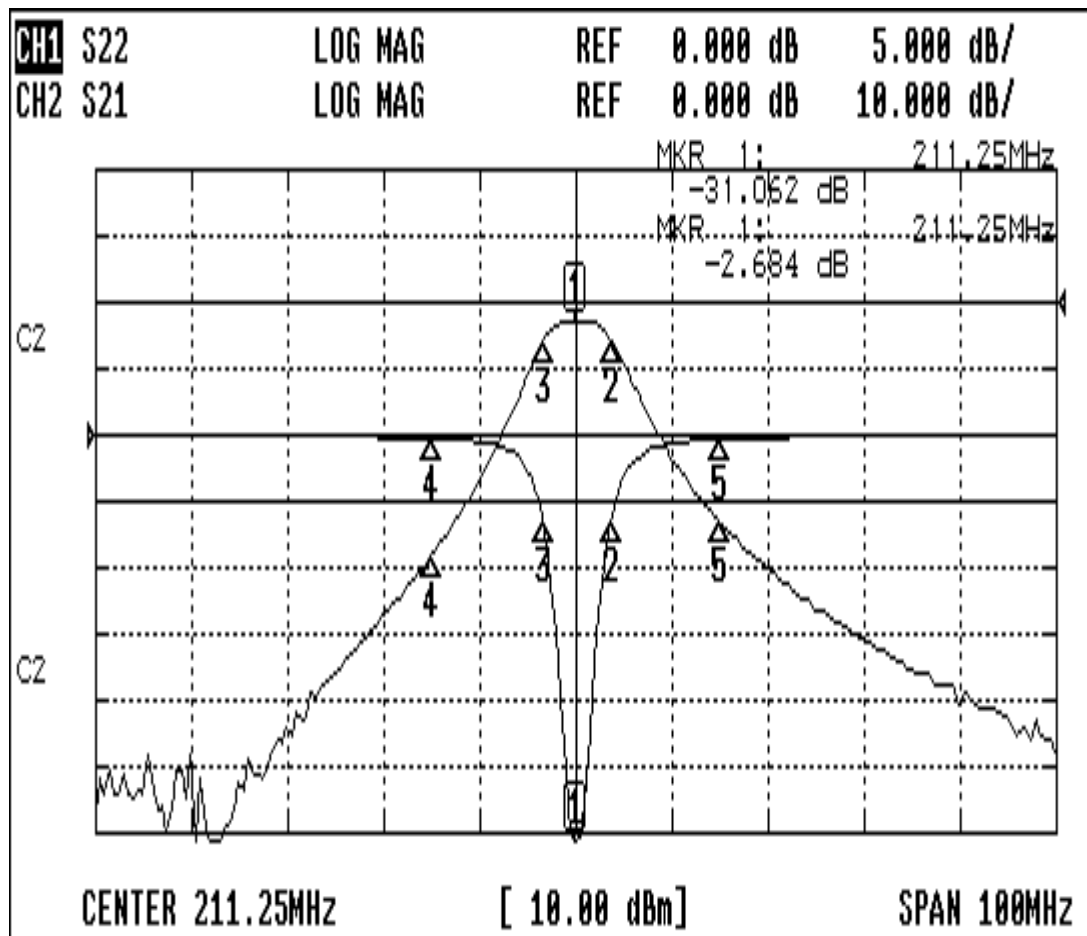
1:	211.250MHz	-24.552 dB
2:	215.000MHz	-5.977 dB
3:	207.916MHz	-5.941 dB
4:	196.250MHz	-0.245 dB
5:	226.250MHz	-0.288 dB
6:		
7:		
8:		
9:		
10:		

CH2 MARKER LIST

1:	211.250MHz	-2.683 dB
2:	215.000MHz	-5.632 dB
3:	207.916MHz	-5.772 dB
4:	196.250MHz	-38.192 dB
5:	226.250MHz	-33.031 dB
6:		
7:		
8:		
9:		
10:		

Performance-TTL63260F-211.25M

200811107C



CH1 MARKER LIST

1:	211.250MHz	-31.062 dB
2:	215.000MHz	-6.443 dB
3:	207.916MHz	-6.700 dB
4:	196.250MHz	-0.232 dB
5:	226.250MHz	-0.285 dB
6:		
7:		
8:		
9:		
10:		

CH2 MARKER LIST

1:	211.250MHz	-2.684 dB
2:	215.000MHz	-5.628 dB
3:	207.916MHz	-5.779 dB
4:	196.250MHz	-38.231 dB
5:	226.250MHz	-33.085 dB
6:		
7:		
8:		
9:		
10:		