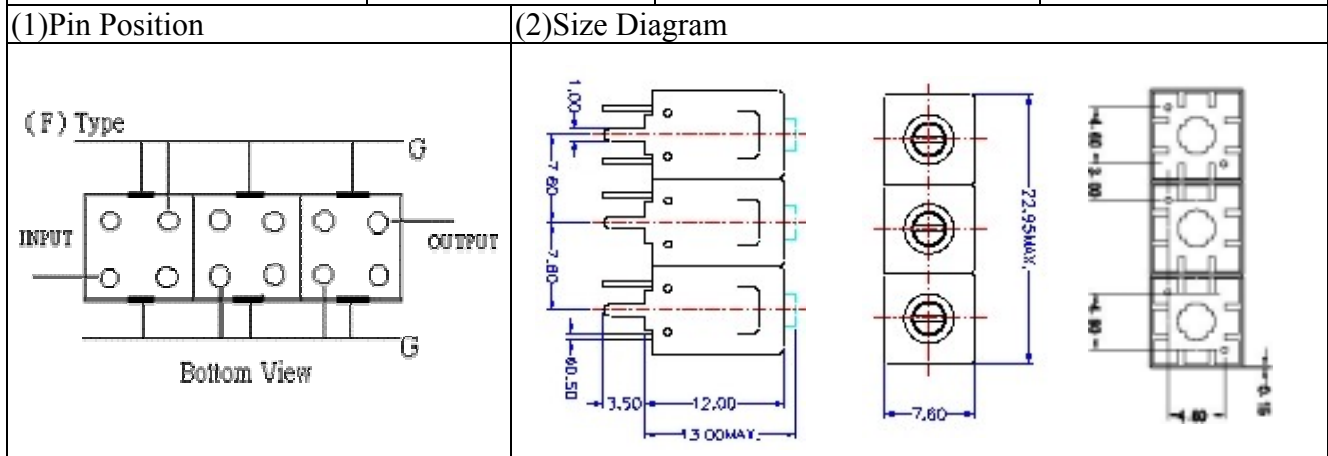


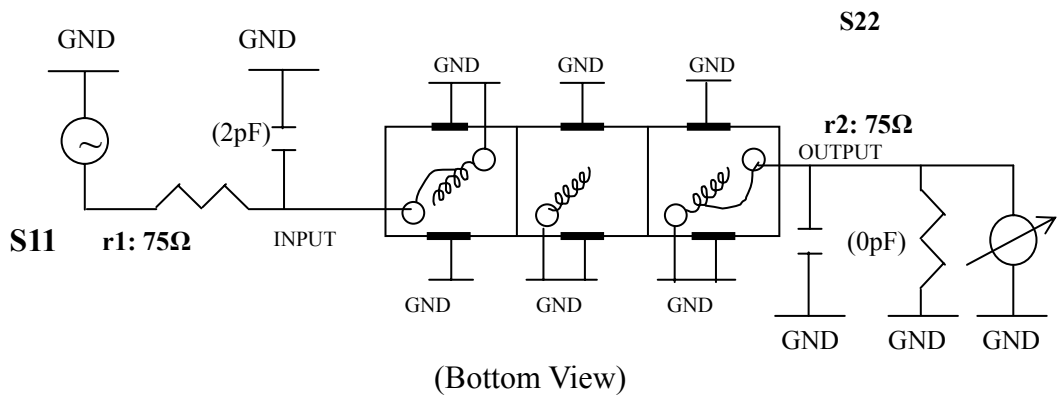
VHF UHF Helical Filter Specification Sheet

Customer Name		Temwell's Part No.	TTL6327F-581M
Approval No. /dated	0711102APR	Temwell's print name	6327F 581M
Work Instruction No.	0711102C	Date	Dec.21.2007



(3) Electric Charasteric		Item	Specify
		Center Freq.(Fo) +/- 0.75 %	581 MHz
		Tunable Range:	581±5 MHz
		Insertion Loss	Typ. 6.0 dB
		-3 dB Bandwidth	Typ. 6 MHz
Sensitivity (Attenuation)	Fo - 15 MHz	Typ.	26 dBc
	Fo + 15 MHz	Typ.	22 dBc
	Fo - ()MHz	Typ.	dBc
	Fo +()MHz	Typ.	dBc
		Return Loss	Min. 12 dB
		Ripple	< 1 dB
		Impedance	In / Out : 75 Ω
(4) Torque for Tuning Screw			> 60gf cm
(5) Temperature Condition:			
Operating Temperature			-30 ~ +70
Storage Temperature			-30 ~ +80
(6) Input Power			> 1Watt

(7) Measuring Circuit: Easy to match Impedance S11/S22 75Ω by parallel with about(2pF) / (0pF).



Approval	Supervisor	Designer	Aperture size
C.Y.Chang	C.S.Chang	J.F.Lin	7H3(4*4.65) 7H046LB4 聚 3

TEMWELL CORPORATION

Performance-TTL6327F-581M

0711102C

