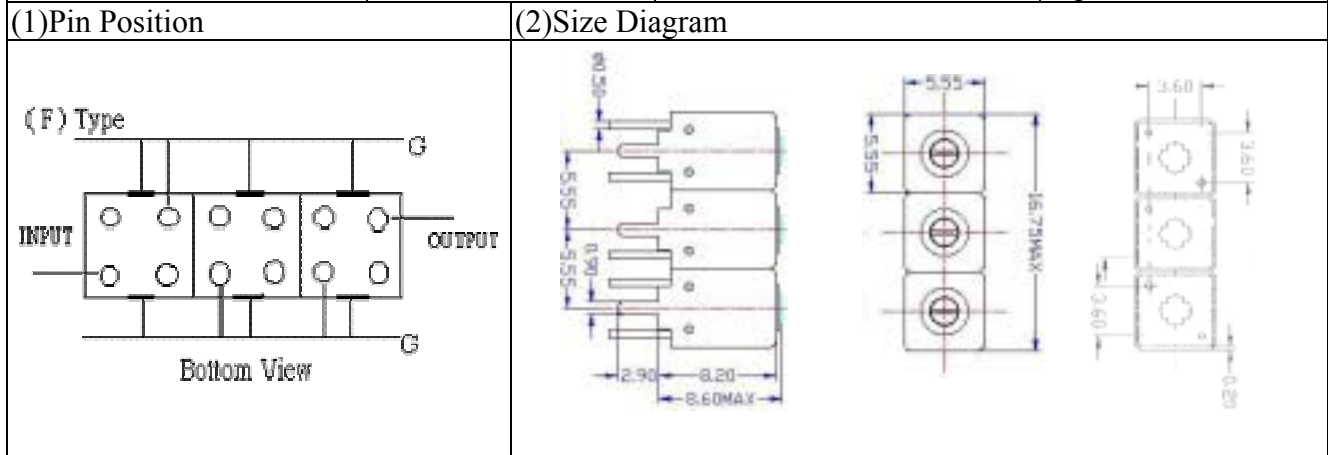


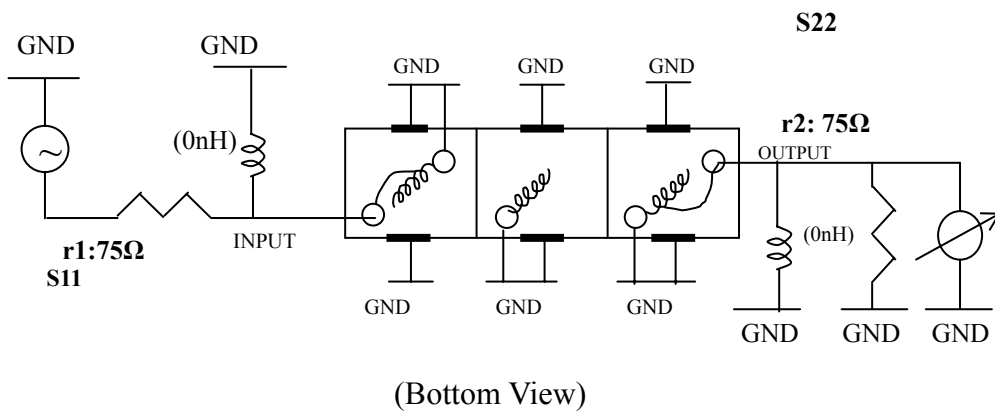
# VHF UHF Helical Filter Specification Sheet

Customer Name		Temwell's Part No.	TTWL3473F-614M
Approval No. /dated	200808171C	Temwell's Print Name.	3473F 614M
Work Instruction No.	200808171C	Date	Sep.08.2008



(3) Electric Charasteric	
Item	Specify
Center Freq.(Fo) +/- 0.5 %	614 MHz
Insertion Loss	Typ. 3.5 dB
-3 dB Bandwidth	Typ. 26 MHz
Sensitivity (Attenuation)	Fo - 70 MHz Typ. 38 dBc
	Fo + 70 MHz Typ. 38 dBc
	Fo - ( )MHz Typ. dBc
	Fo +( )MHz Typ. dBc
Return Loss	Min. 12 dB
Ripple	< 1 dB
Impedance	In / Out : 75 Ω
(4) Torque for Tuning Screw > 100gf cm	
(5) Temperature Condition:	
Operating Temperature	0 ~ +60
Storage Temperature	-20 ~ +70
(6) Input Power	> 0.5Watt

(7) Measuring Circuit: Easy to match Impedance S11/S22/75Ω by parallel with about(0nH) / (0nH).

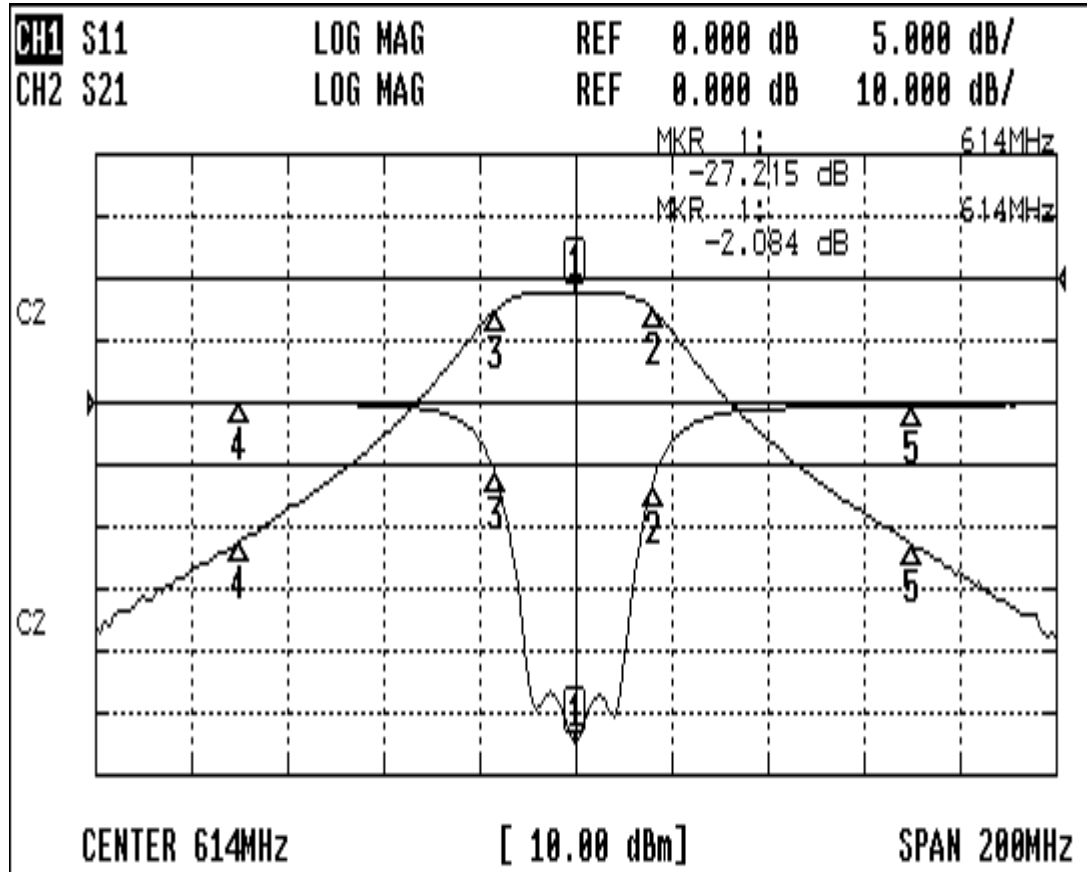


Approval	Supervisor	Designer	Aperture size
C.Y.Chang	C.S.Chang	C.H.Yeh	5W3S(3.8*4.0) (5HW024RB3)

TEMWELL CORPORATION

# Performance-TTWL3473F-614M

## 200808171C



### CH1 MARKER LIST

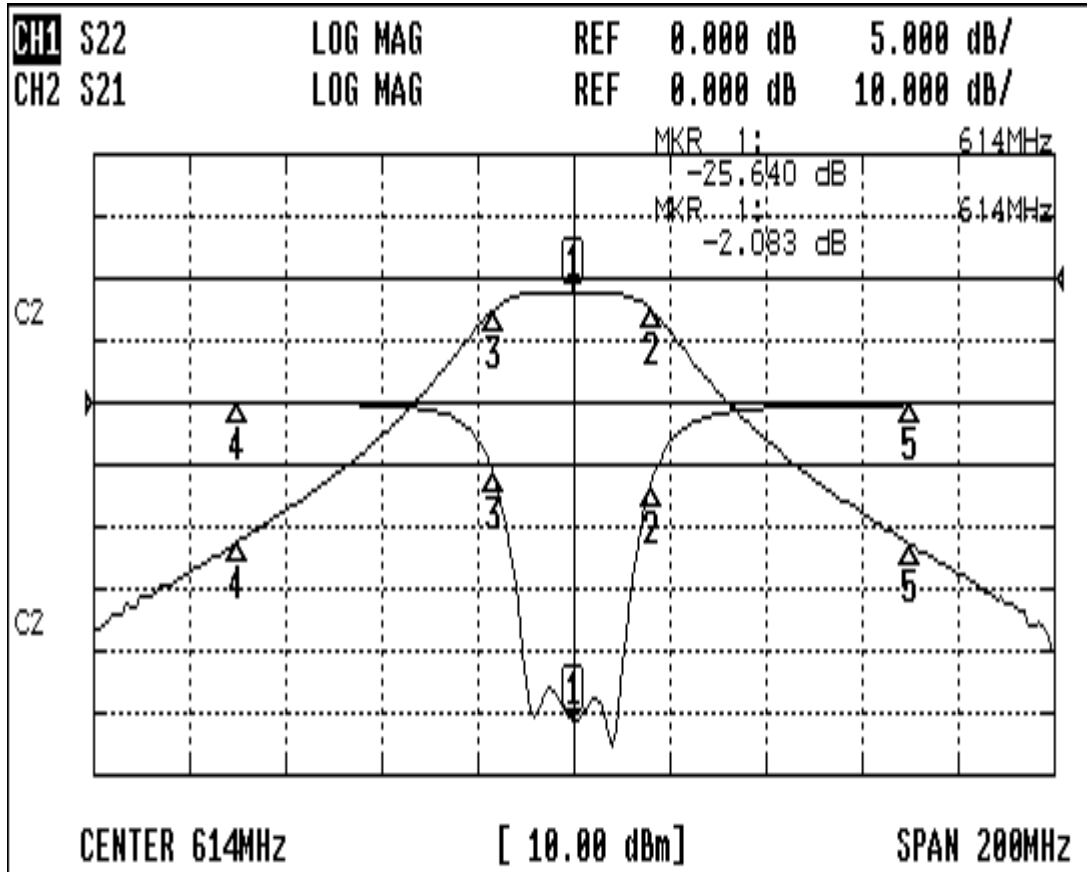
Marker	Frequency (MHz)	Value (dB)
1:	614.000MHz	-27.324 dB
2:	630.166MHz	-6.453 dB
3:	597.333MHz	-5.709 dB
4:	544.000MHz	-0.008 dB
5:	684.000MHz	-0.226 dB
6:		
7:		
8:		
9:		
10:		

### CH2 MARKER LIST

Marker	Frequency (MHz)	Value (dB)
1:	614.000MHz	-2.084 dB
2:	630.166MHz	-5.053 dB
3:	597.333MHz	-5.002 dB
4:	544.000MHz	-42.315 dB
5:	684.000MHz	-42.701 dB
6:		
7:		
8:		
9:		
10:		

# Performance-TTWL3473F-614M

## 200808171C



### CH1 MARKER LIST

1:	614.000MHz	-25.640 dB
2:	630.166MHz	-6.632 dB
3:	597.333MHz	-5.585 dB
4:	544.000MHz	-0.031 dB
5:	684.000MHz	-0.143 dB
6:		
7:		
8:		
9:		
10:		

### CH2 MARKER LIST

1:	614.000MHz	-2.083 dB
2:	630.166MHz	-5.064 dB
3:	597.333MHz	-5.012 dB
4:	544.000MHz	-42.540 dB
5:	684.000MHz	-42.699 dB
6:		
7:		
8:		
9:		
10:		