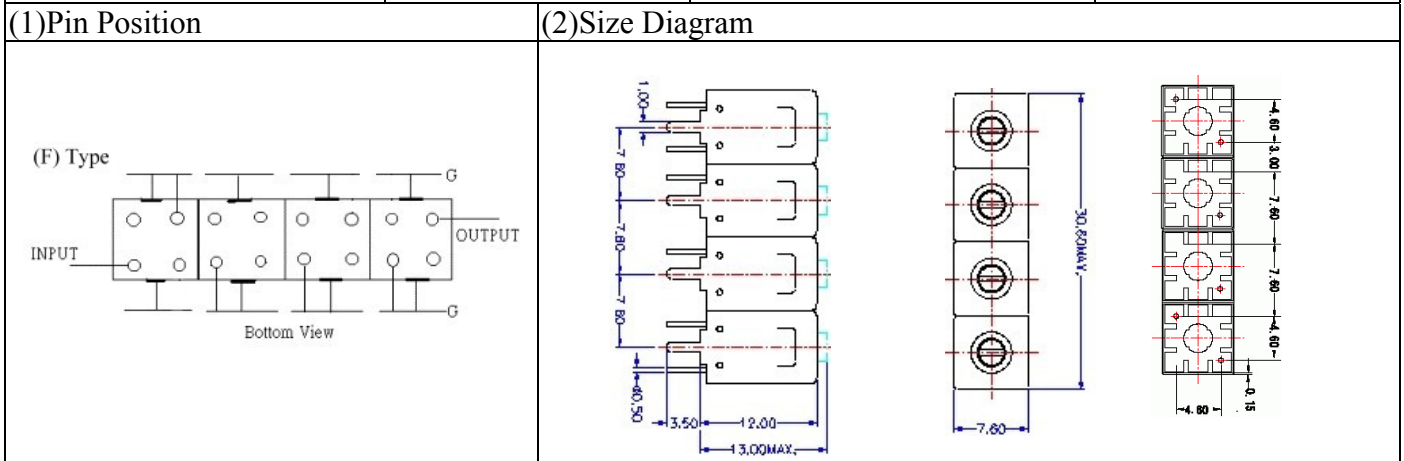


VHF UHF Helical Filter Specification Sheet

Customer Name		Temwell's Part No.	TF64335F-480M
Approval No. /dated		Temwell's Print name	64335F 480M
Work Instruction No.	201504056C	Date	Jun.23.2015



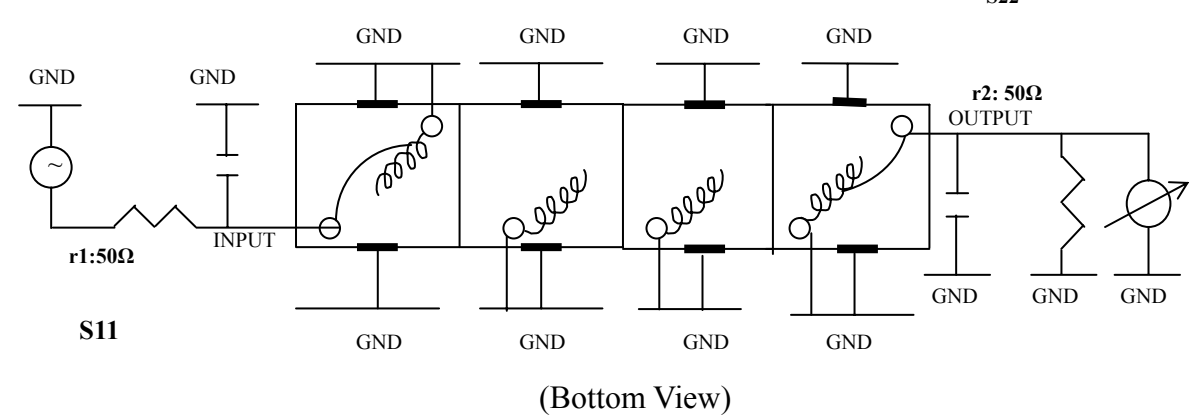
(3) Electric Characteristic		Item	Specify
		Center Freq.(Fo) +/- 0.5 %	480 MHz
		Insertion Loss	Typ. 2.0 dB
		-3 dB Bandwidth	Typ. 120 MHz
Sensitivity (Attenuation)	Fo - (150) MHz	Typ. 49 dBc	
	Fo + (150) MHz	Typ. 29 dBc	
	Fo - () MHz	Typ. dBc	
	Fo + () MHz	Typ. dBc	
		Return Loss	Min. 12 dB
		Ripple	< 1 dB
		Impedance	In / Out : 50 Ω

(4) Torque for Tuning Screw > 60gf · cm

(5) Temperature Condition:	
Operating Temperature	0°C ~ +60°C
Storage Temperature	-20°C ~ +70°C

(6) Input Power > 1Watt

(7) Measuring Circuit: ※Easy to match Impedance S11/S22 50Ω by parallel with about ()



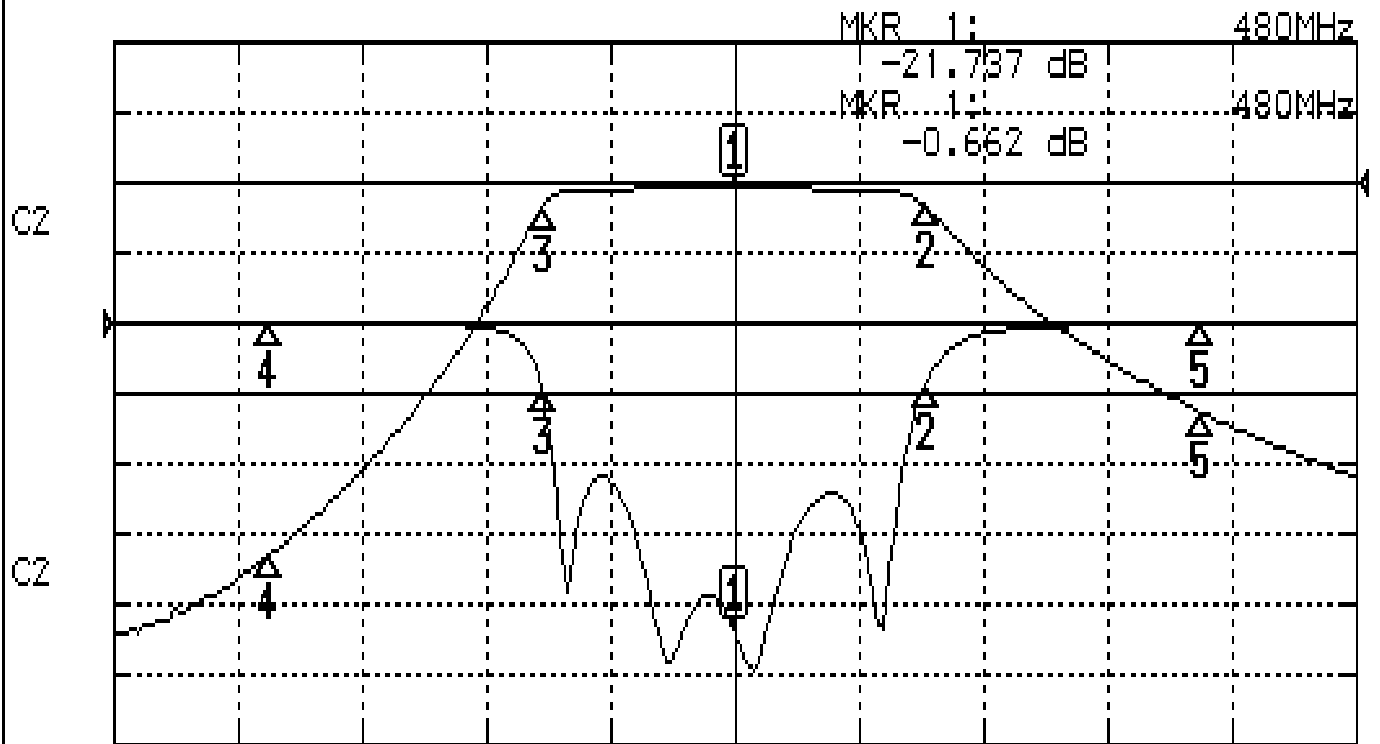
Approval C.Y.Chang	Supervisor C.K.Chang	Designer C.S.Chang	Aperture size 7H4S(4*8.0)(8.01) 7H046RB6.5(J1)
-----------------------	-------------------------	-----------------------	--

TEMWELL CORPORATION

Performance-TF64335F-480M

201504056C

CH1 S11 LOG MAG REF 0.000 dB 5.000 dB/
CH2 S21 LOG MAG REF 0.000 dB 10.000 dB/



CENTER 480MHz

[10.00 dBm]

SPAN 400MHz

CH1 MARKER LIST

1:	480.000MHz	-21.737 dB
2:	541.666MHz	-4.247 dB
3:	418.000MHz	-4.611 dB
4:	330.000MHz	-0.019 dB
5:	630.000MHz	-0.010 dB

CH2 MARKER LIST

1:	480.000MHz	-0.662 dB
2:	541.666MHz	-3.670 dB
3:	418.000MHz	-3.611 dB
4:	330.000MHz	-32.972 dB
5:	630.000MHz	-32.660 dB