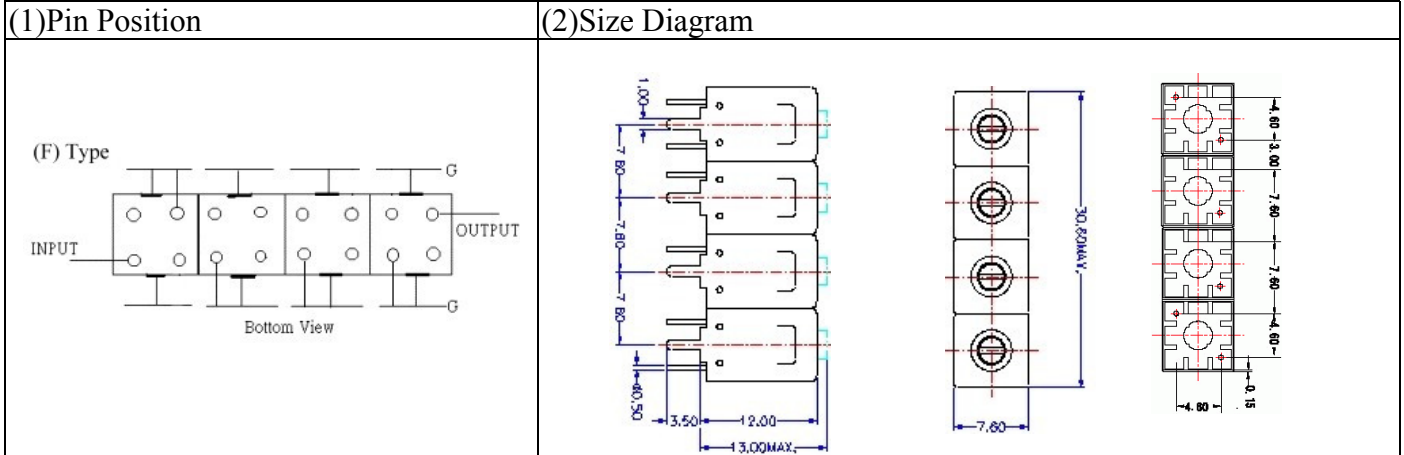


VHF UHF Helical Filter Specification Sheet

Customer Name		Temwell's Part No.	TF64386F-850M
Approval No. /dated		Temwell's Print name	64386F 850M
Work Instruction No.	201504065C	Date	Jun.04.2015

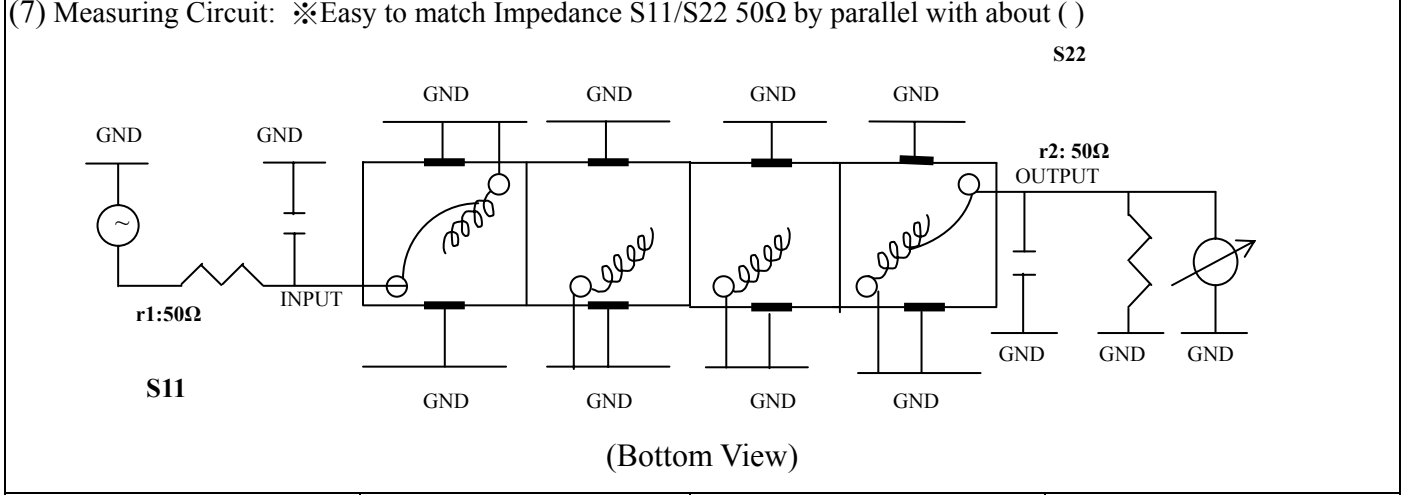


(3) Electric Chararistic		Item	Specify
Center Freq.(Fo) +/- 0.5 %			850 MHz
Insertion Loss		Typ.	2.0 dB
-3 dB Bandwidth		Typ.	120 MHz
Sensitivity (Attenuation)	Fo - (200) MHz	Typ.	50 dBc
	Fo + (200) MHz	Typ.	38 dBc
	Fo - () MHz	Typ.	dBc
	Fo +() MHz	Typ.	dBc
Return Loss		Min.	12 dB
Ripple			< 1 dB
Impedance			In / Out : 50 Ω

(4) Torque for Tuning Screw > 60gf · cm

(5) Temperature Condition:	
Operating Temperature	0°C ~ +60°C
Storage Temperature	-20°C ~ +70°C

(6) Input Power > 1Watt



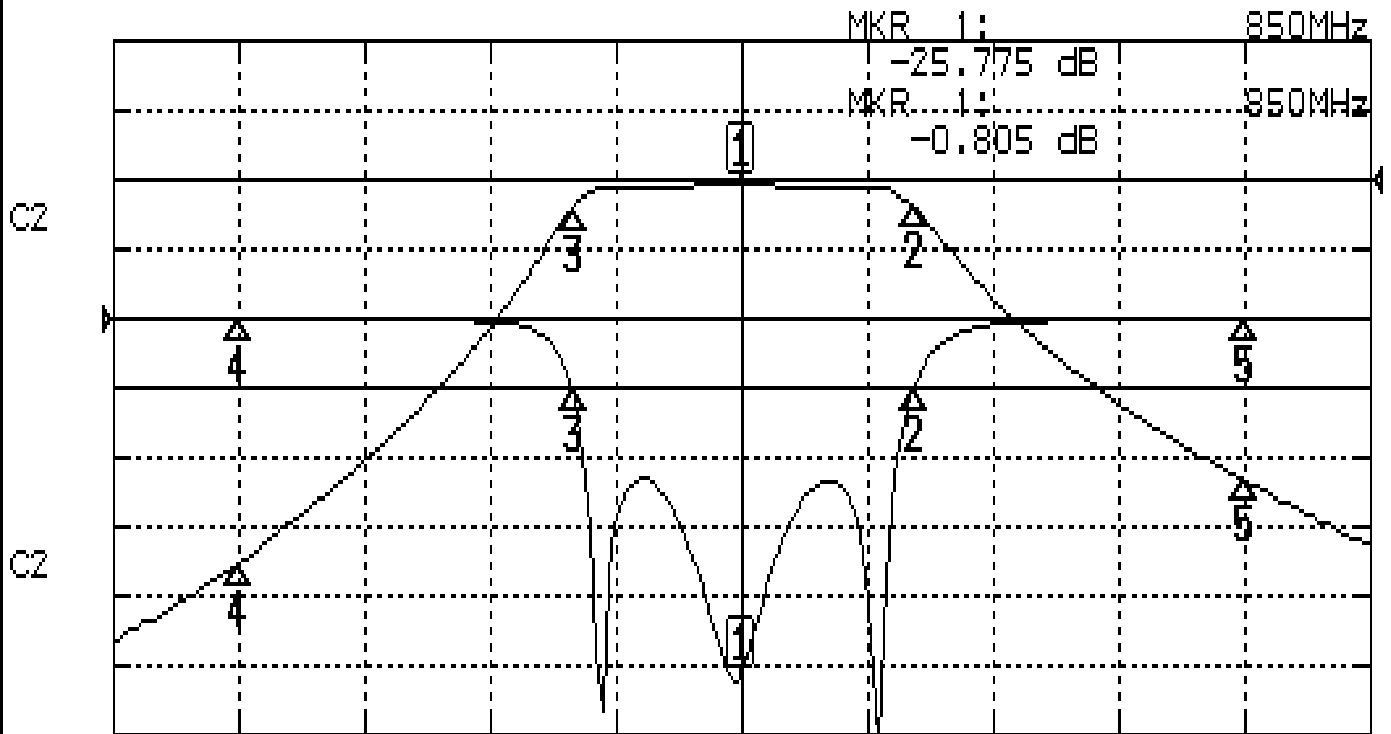
Approval	Supervisor	Designer	Aperture size
C.Y.Chang	C.K.Chang	J.Yang	7H4S(4*7.5)(7.63) 7H046RB6.5

TEMWELL CORPORATION

Performance-TF64386F-850M

201504065C

CH1	S11	LOG MAG	REF	0.000 dB	5.000 dB/
CH2	S21	LOG MAG	REF	0.000 dB	10.000 dB/



CENTER 850MHz

[10.00 dBm]

SPAN 500MHz

CH1 MARKER LIST

1:	850.000MHz	-25.802	dB
2:	918.750MHz	-15.035	dB
3:	782.500MHz	-4.968	dB
4:	650.000MHz	0.014	dB
1.050	000GHz	0.116	dB

CH2 MARKER LIST

1:	850.000MHz	-0.805	dB
2:	918.750MHz	-11.100	dB
3:	782.500MHz	-11.100	dB
4:	650.000MHz	-15.035	dB
1.050	000GHz	-43.307	dB