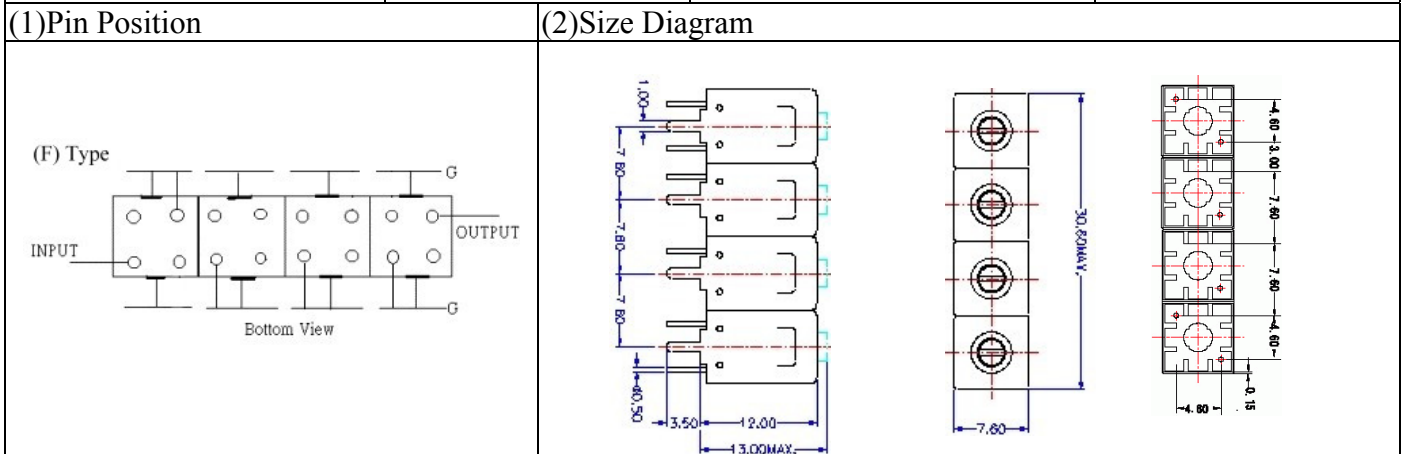


# VHF UHF Helical Filter Specification Sheet

|                      |            |                      |                |
|----------------------|------------|----------------------|----------------|
| Customer Name        |            | Temwell's Part No.   | TF64465F-805M  |
| Approval No. /dated  |            | Temwell's Print name | 64465F<br>805M |
| Work Instruction No. | 201504064C | Date                 | Jun.22.2015    |

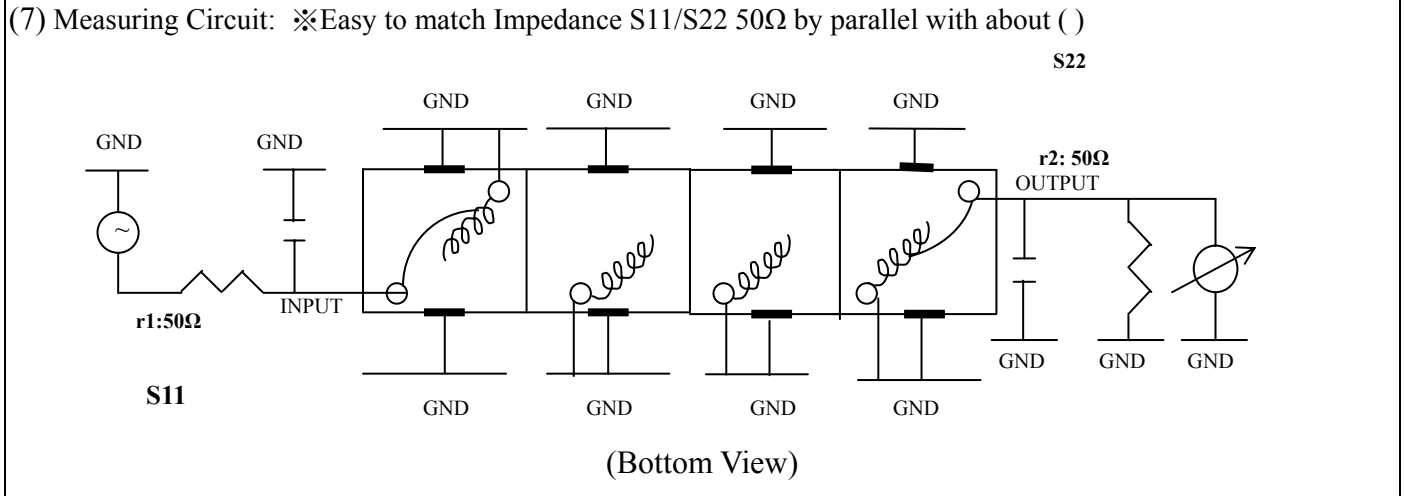


| (3) Electric Chararistic     |                | Item                       | Specify         |
|------------------------------|----------------|----------------------------|-----------------|
|                              |                | Center Freq.(Fo) +/- 0.5 % | 805 MHz         |
|                              |                | Insertion Loss             | Typ. 2.0 dB     |
|                              |                | -3 dB Bandwidth            | Typ. 140 MHz    |
| Sensitivity<br>(Attenuation) | Fo - (150) MHz | Typ. 40 dBc                |                 |
|                              | Fo + (150) MHz | Typ. 19 dBc                |                 |
|                              | Fo - ( ) MHz   | Typ. dBc                   |                 |
|                              | Fo + ( ) MHz   | Typ. dBc                   |                 |
|                              |                | Return Loss                | Min. 12 dB      |
|                              |                | Ripple                     | < 1 dB          |
|                              |                | Impedance                  | In / Out : 50 Ω |

(4) Torque for Tuning Screw > 60gf · cm

|                            |               |
|----------------------------|---------------|
| (5) Temperature Condition: |               |
| Operating Temperature      | 0°C ~ +60°C   |
| Storage Temperature        | -20°C ~ +70°C |

(6) Input Power > 1Watt



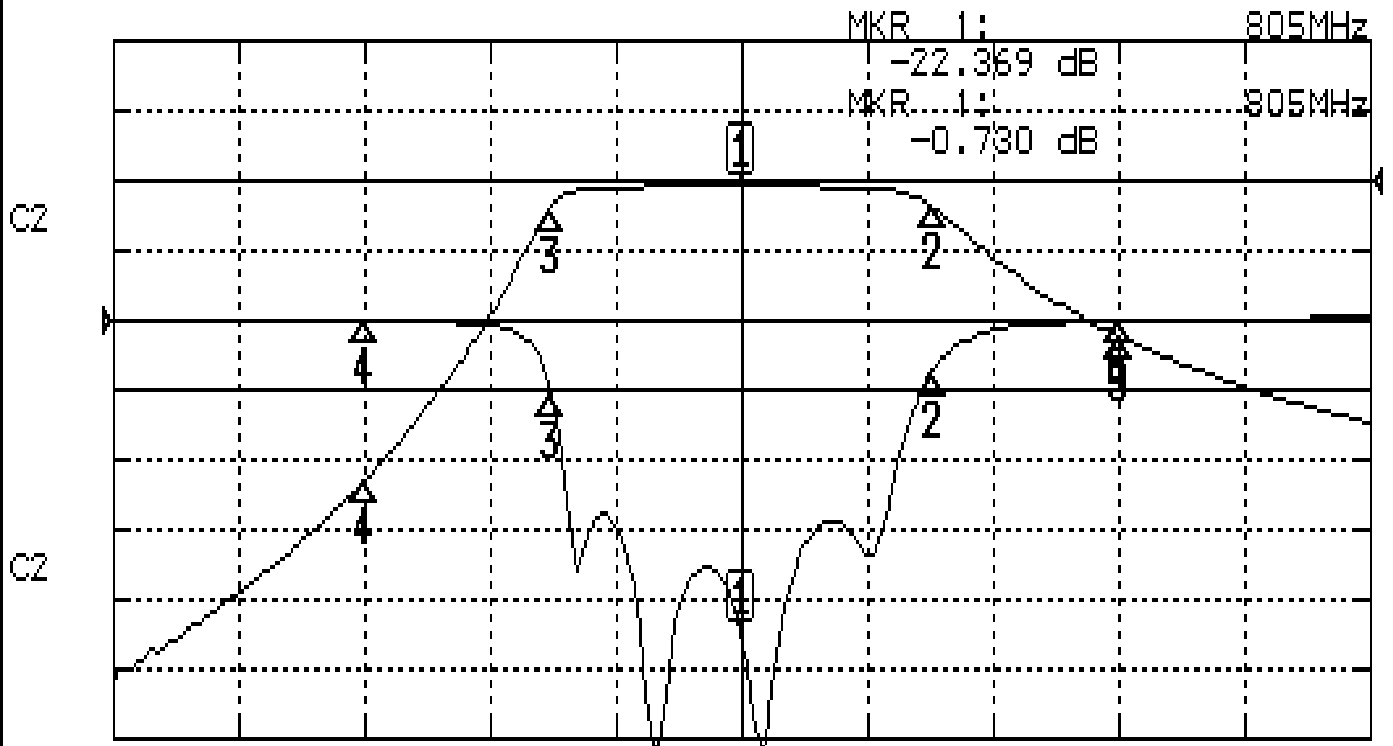
|           |            |          |                                 |
|-----------|------------|----------|---------------------------------|
| Approval  | Supervisor | Designer | Aperture size                   |
| C.Y.Chang | C.K.Chang  | J.Yang   | 7H4S(4*8.0)(8.01)<br>7H046LB6.6 |

TEMWELL CORPORATION

# Performance-TF64465F-805M

## 201504064C

**CH1** S11                      LOG MAG                      REF    0.000 dB            5.000 dB/  
**CH2** S21                      LOG MAG                      REF    0.000 dB            10.000 dB/



CENTER 805MHz

[ 10.00 dBm ]

SPAN 500MHz

**CH1 MARKER LIST**

|    |            |         |    |
|----|------------|---------|----|
| 1: | 805.000MHz | -22.369 | dB |
| 2: | 880.833MHz | -10.730 | dB |
| 3: | 729.583MHz | -11.315 | dB |
| 4: | 655.000MHz | -10.015 | dB |
| 5: | 955.000MHz | 0.009   | dB |

**CH2 MARKER LIST**

|    |            |         |    |
|----|------------|---------|----|
| 1: | 805.000MHz | -0.730  | dB |
| 2: | 880.833MHz | -10.786 | dB |
| 3: | 729.583MHz | -10.740 | dB |
| 4: | 655.000MHz | -42.997 | dB |
| 5: | 955.000MHz | -22.258 | dB |