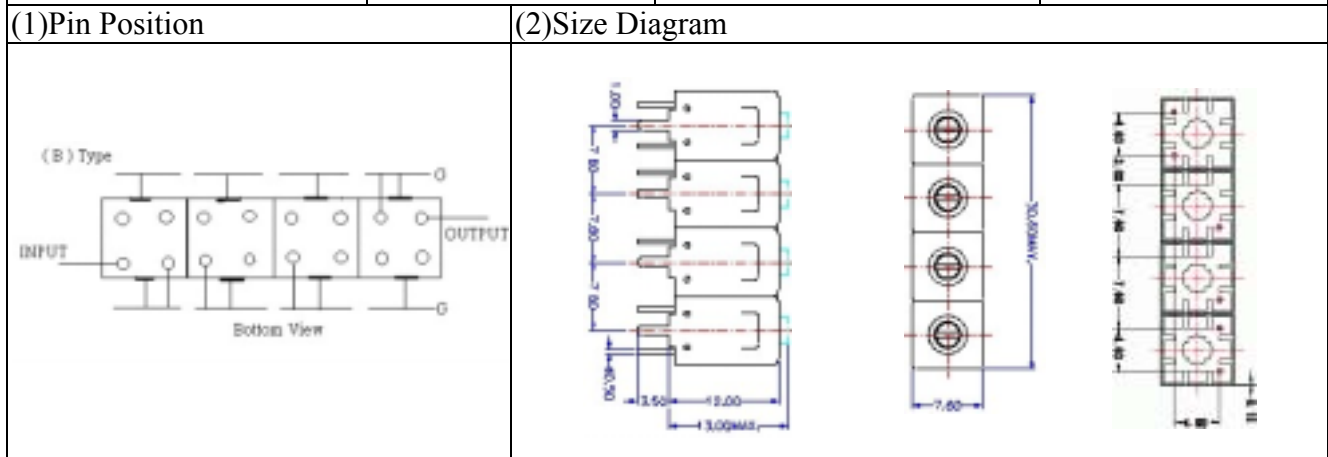


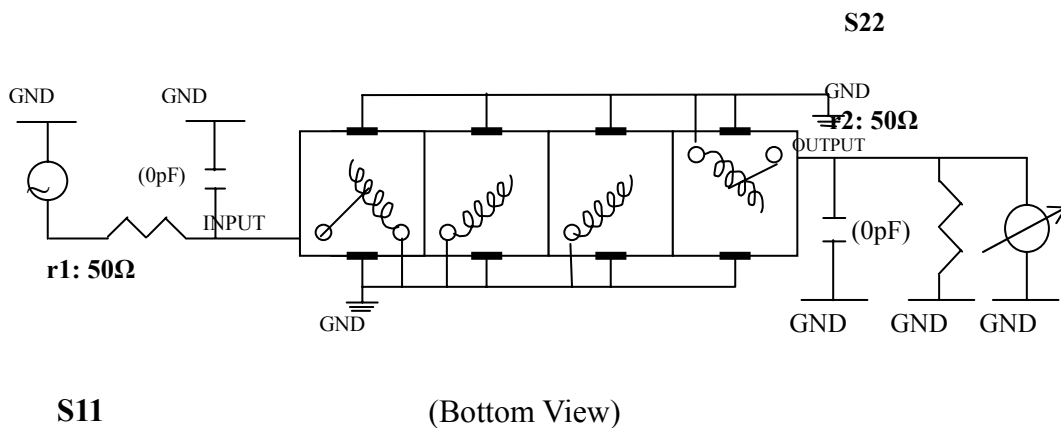
VHF UHF Helical Filter Specification Sheet

Customer Name		Temwell's Part No.	TF69321B1-325M
Approval No. /dated	0712095APR	Temwell's Print Name	69321B1 325M
Work Instruction No.	0712095CD	Date	Jan.16.2008



(3)Electric Characteristic		Item		Specify	
Center Freq.(Fo) +/- 0.5 %				325	MHz
Insertion Loss		Typ.		4.0	dB
-3 dB Bandwidth		Typ.		13	MHz
Sensitivity (Attenuation)	Fo - 20 MHz	Typ.		39	dBc
	Fo + 20 MHz	Typ.		27	dBc
	Fo - ()MHz	Typ.			dBc
	Fo +()MHz	Typ.			dBc
Return Loss		Min.		12	dB
Ripple				< 1	dB
Impedance				In / Out : 50 Ω	
(4)Torque for Tuning Screw				> 100gf cm	
(5)Temperature Condition:		Operating Temperature		0 ~ +60	
		Storage Temperature		-20 ~ +70	
(6)Input Power				> 1Watt	

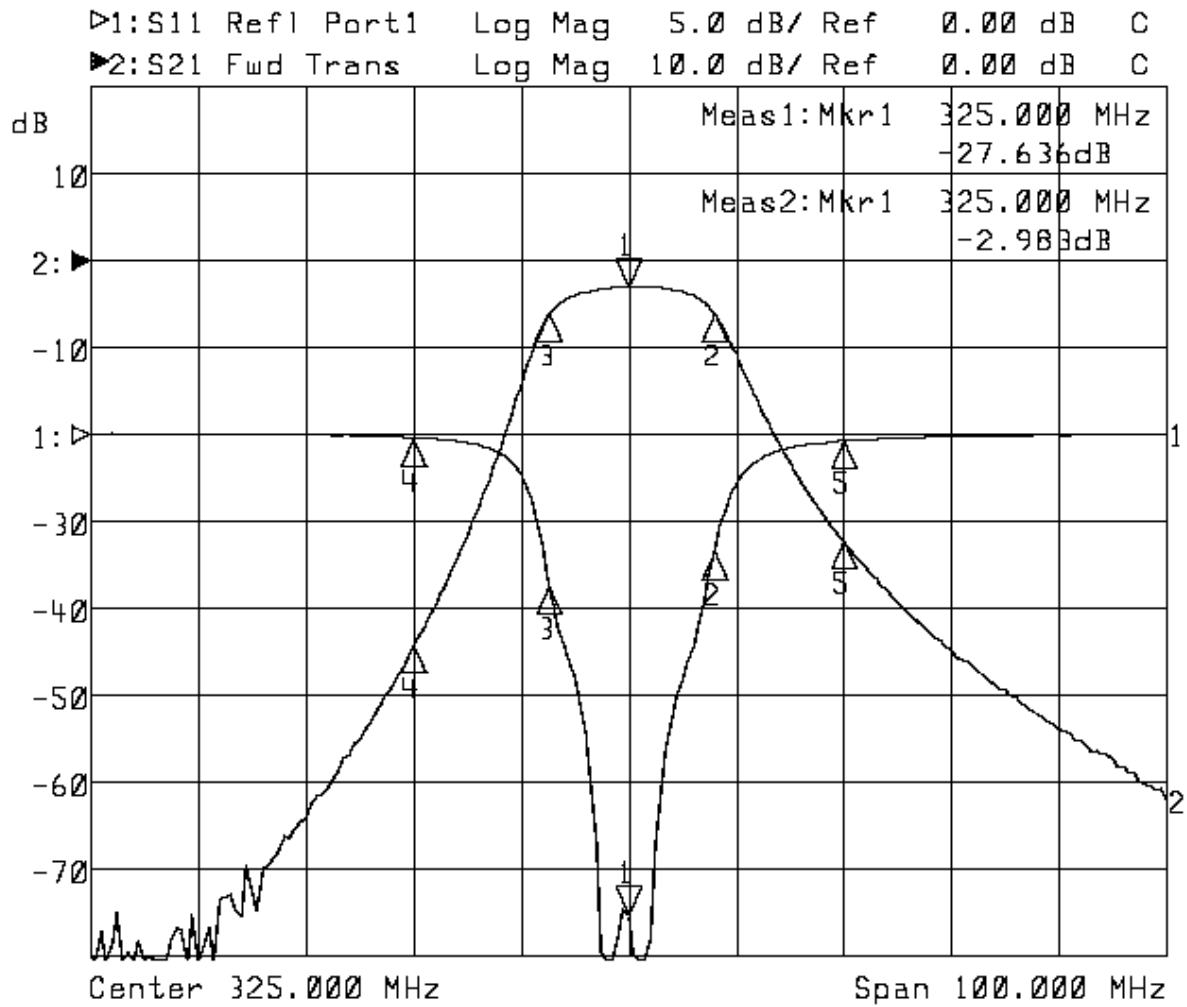
(7)Measuring Circuit: Easy to match Impedance S11/S22 50Ω/ by parallel with about(0pF) / (0 pF).



Approval	Supervisor	Designer	Aperture size
C.Y.Chang	C.S.Chang	Y.H.Chuan	7H4(4*7.5)F 7H046LB4
TEMWELL CORPORATION			

Performance-TF69321B1-325M

0712095CD



1: Mkr (MHz)		dB	2: Mkr (MHz)		dB
1 >	325.0000	-27.636	1 >	325.0000	-2.983
2:	332.9333	-6.724	2:	332.9333	-5.991
3:	317.7000	-8.795	3:	317.7000	-5.949
4:	305.0000	-0.192	4:	305.0000	-44.373
5:	345.0000	-0.377	5:	345.0000	-32.339