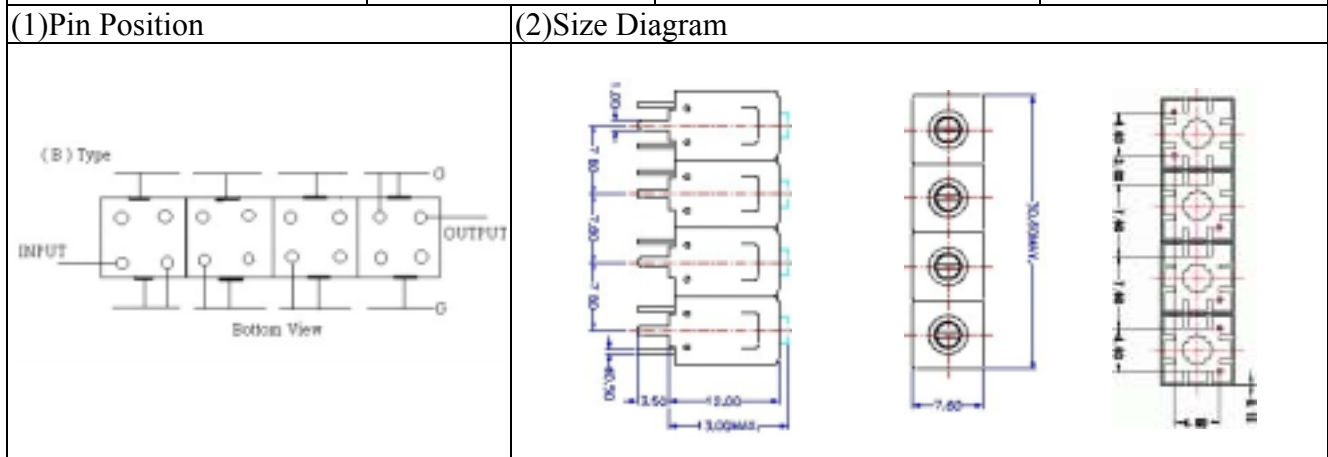
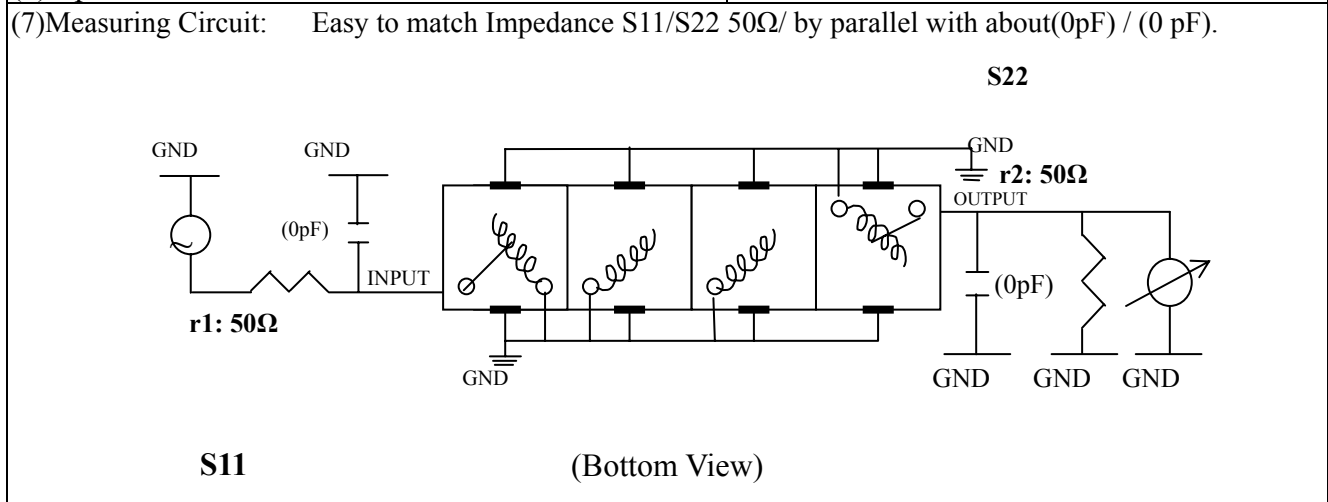


VHF UHF Helical Filter Specification Sheet

| | | | |
|----------------------|------------|----------------------|------------------|
| Customer Name | | Temwell's Part No. | TF69641B-113.5M |
| Approval No. /dated | 0712103APR | Temwell's Print Name | 69641B 113.5M |
| Work Instruction No. | 0712103CD | Date | Mar.08.2008 |



| (3)Electric Charasteric | |
|-------------------------------|-------------------------|
| Item | Specify |
| Center Freq.(Fo) +/- 0.5 % | 113.5 MHz |
| Insertion Loss | Typ. 4.0 dB |
| -3 dB Bandwidth | Typ. 14 MHz |
| Sensitivity (Attenuation) | Fo - 40 MHz Typ. 74 dBc |
| | Fo + 40 MHz Typ. 67 dBc |
| | Fo - ()MHz Typ. dBc |
| | Fo +()MHz Typ. dBc |
| Return Loss | Min. 12 dB |
| Ripple | < 1 dB |
| Impedance | In / Out : 50 Ω |
| (4)Torque for Tuning Screw | > 100gf cm |
| (5)Temperature Condition: | |
| Operating Temperature | 0 ~ +60 |
| Storage Temperature | -20 ~ +70 |
| (6)Input Power | > 1Watt |



| | | | |
|-----------|------------|-----------|----------------------------------|
| Approval | Supervisor | Designer | Aperture size |
| C.Y.Chang | C.S.Chang | Y.H.Chuan | 7H4(4*5.5F)*(6.0B) 7H024LB6.5 |

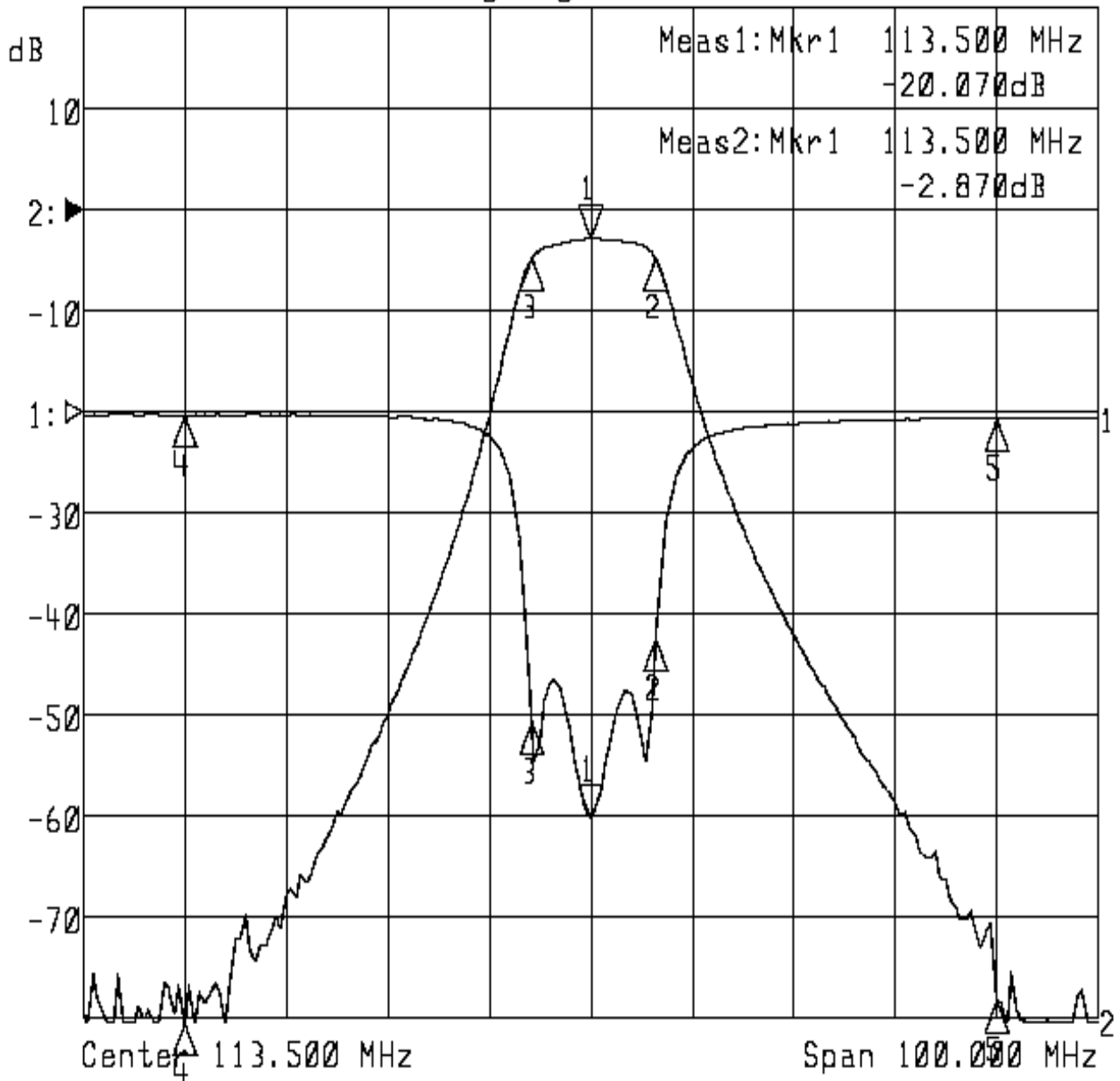
TEMWELL CORPORATION

Performance-TF69641B-113.5M

0712103CD

▶1:S11 Refl Port1 Log Mag 5.0 dB/ Ref 0.00 dB C

▶2:S21 Fwd Trans Log Mag 10.0 dB/ Ref 0.00 dB C



| 1: Mkr (MHz) | dB | 2: Mkr (MHz) | dB |
|--------------|---------|--------------|---------|
| 1> 113.5000 | -20.070 | 1> 113.5000 | -2.870 |
| 2: 119.9333 | -11.308 | 2: 119.9333 | -4.846 |
| 3: 107.7333 | -15.319 | 3: 107.7333 | -4.813 |
| 4: 73.5000 | -0.148 | 4: 73.5000 | -83.902 |
| 5: 153.5000 | -0.346 | 5: 153.5000 | -78.195 |

