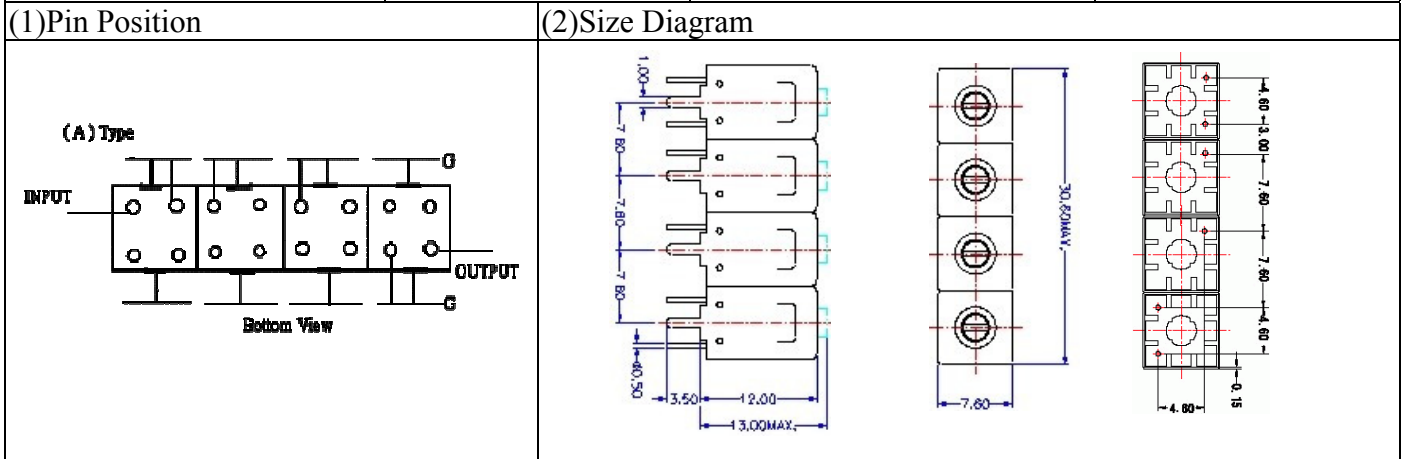
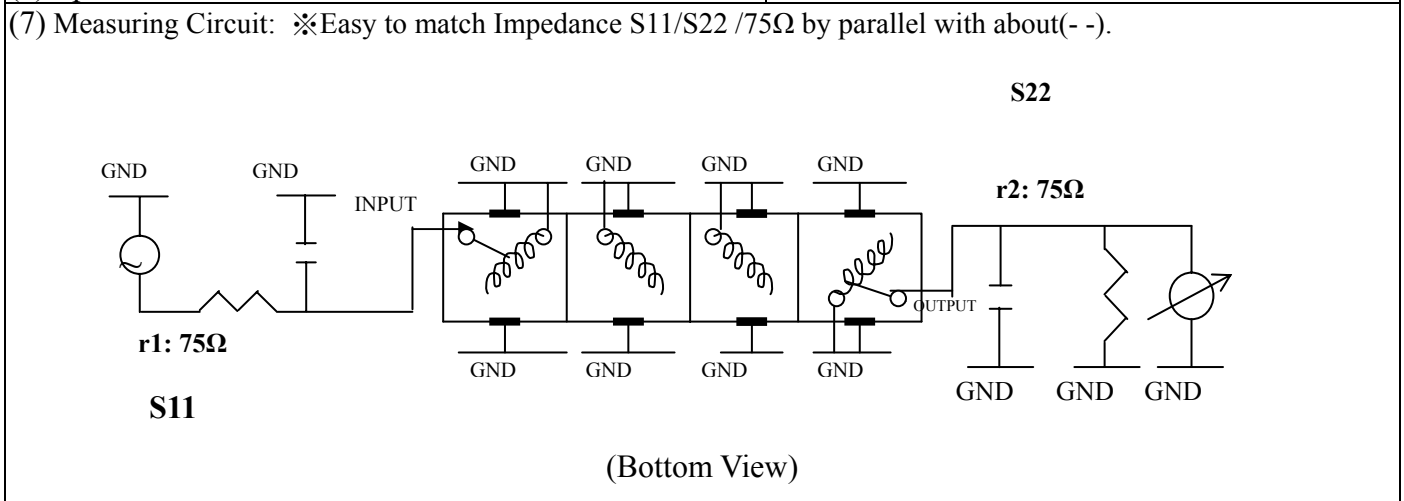


VHF UHF Helical Filter Specification Sheet

Customer Name		Temwell's Part No.	TF69684A-1405M
Approval No. /dated		Temwell's Print Name	69684A 1405M
Work Instruction No.	201504075C	Date	Jun.24.2015



(3) Electric Characteristic		Item	Specify
		Center Freq.(Fo) +/- 0.5 %	1405 MHz
		Insertion Loss	Typ. 3.0 dB
		-3 dB Bandwidth	Typ. 110 MHz
Sensitivity (Attenuation)	Fo - 150 MHz	Typ. 46	dBc
	Fo + 150 MHz	Typ. 26	dBc
	Fo - ()MHz	Typ.	dBc
	Fo +()MHz	Typ.	dBc
		Return Loss	Min. 12 dB
		Ripple	< 1 dB
		Impedance	In / Out : 50 Ω
(4) Torque for Tuning Screw		> 60gf · cm	
(5) Temperature Condition:			
Operating Temperature		0°C ~ +60°C	
Storage Temperature		-20°C ~ +70°C	
(6) Input Power		> 1Watt	



Approval	Supervisor	Designer	Aperture size
C.Y.Chang	C.K.Chang	C.S.Chang	7H4S(4*8.0)(8.02) 7H046LB5.5

TEMWELL CORPORATION

Performance-TF69684A-1405M

201504075C

