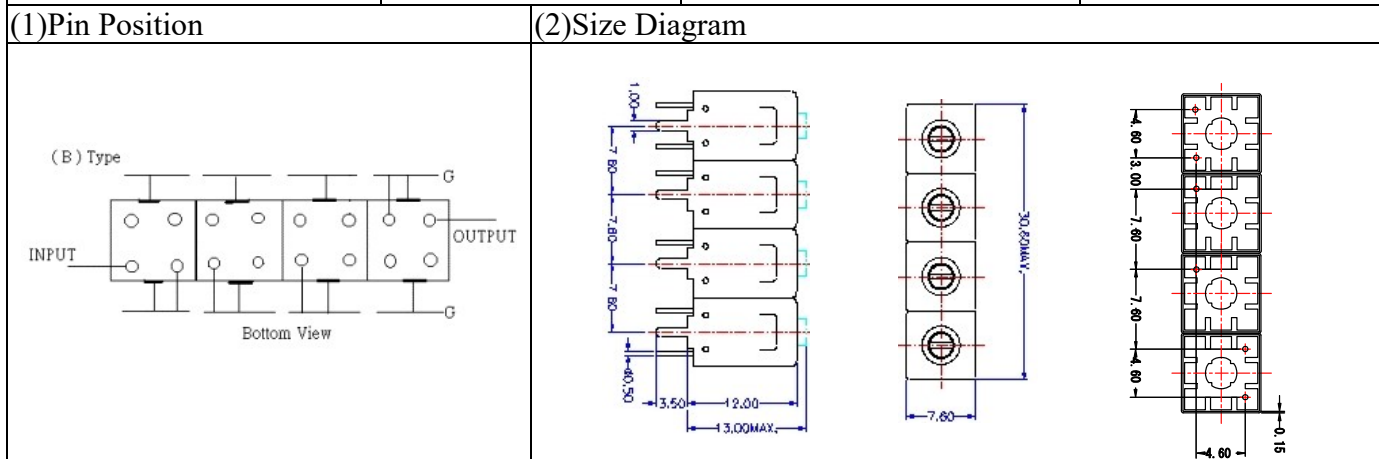


# VHF UHF Helical Filter Specification Sheet

Customer Name		Temwell's Part No.	TF69748B-915M
Approval No. /dated		Temwell's Print Name	69748B 915M
Work Instruction No.	201907020C	Date	Jul.18.2019



### (3) Electric Characteristic

Item	Specify
Center Freq.(Fo) +/- 0.5 %	915 MHz
Insertion Loss	Typ. 4.0 dB
-3 dB Bandwidth	Typ. 26 MHz
Sensitivity (Attenuation)	Fo - 100 MHz Typ. 58 dBc
	Fo + 100 MHz Typ. 59 dBc
	Fo - ( )MHz Typ. dBc
	Fo +( )MHz Typ. dBc
Return Loss	Min. 12 dB
Ripple	< 1 dB
Impedance	In / Out : 50 Ω

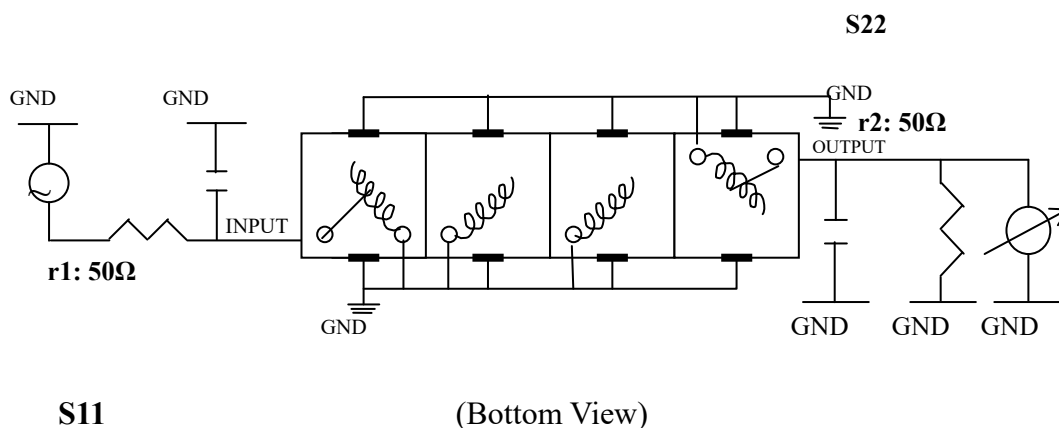
(4) Torque for Tuning Screw > 60gf · cm

### (5) Temperature Condition:

Operating Temperature	-0°C ~ +60°C
Storage Temperature	-20°C ~ +70°C

(6) Input Power > 1Watt

(7) Measuring Circuit: ※Easy to match Impedance S11/S22 50Ω/ by parallel with about(- -).



Approval	Supervisor	Designer	Aperture size
C.Y.Chang	C.K.Chang	Y.C.Li	7H4S(4*7.35)(7.44) 7H046RB4

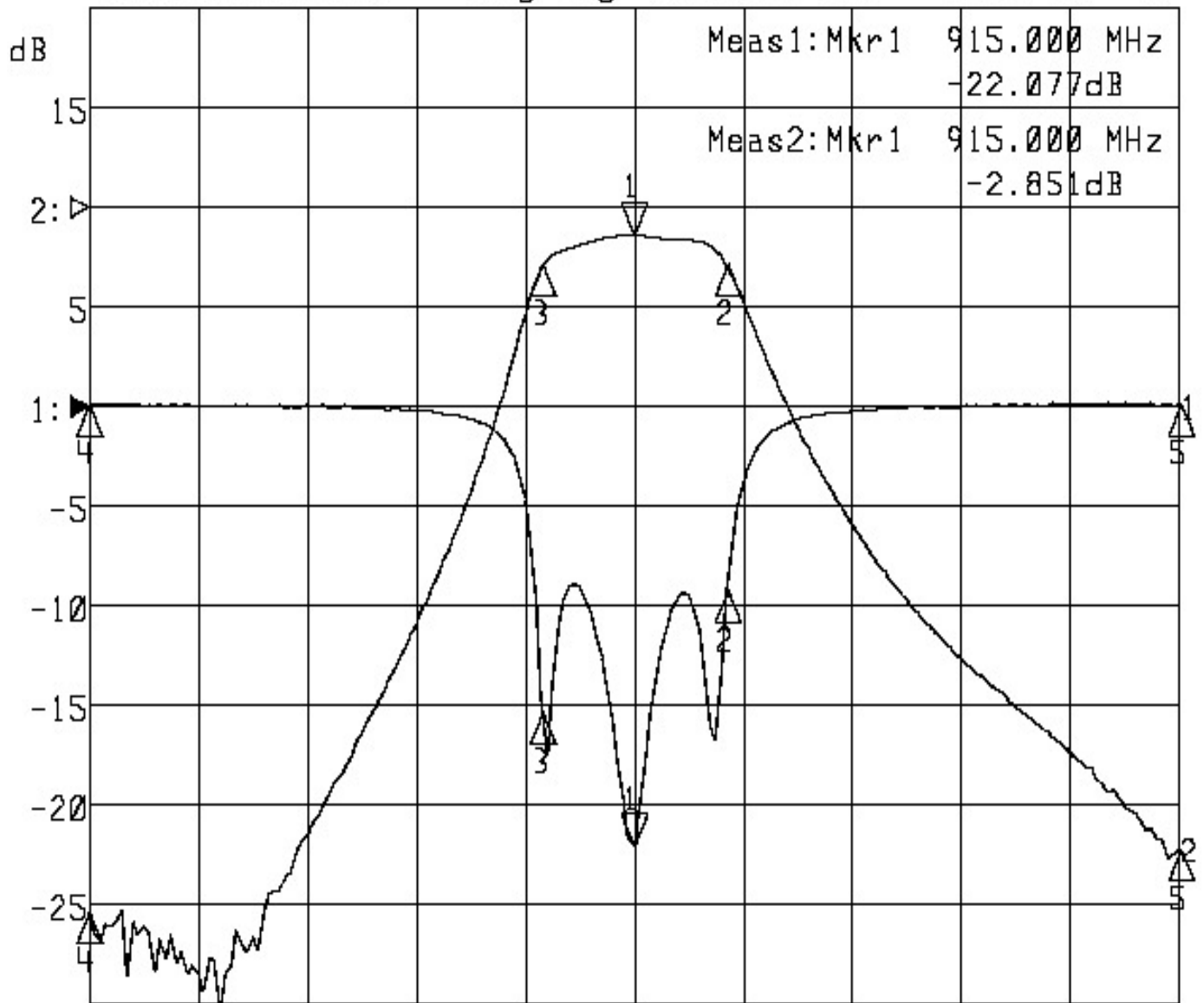
TEMWELL CORPORATION

# Performance-TF69748B-915M

## 201907020C

►1: Reflection Log Mag 5.0 dB/ Ref 0.00 dB C

►2: Transmission Log Mag 10.0 dB/ Ref 0.00 dB C



Center 915.000 MHz

Span 200.000 MHz

1: Mkr (MHz)	dB	2: Mkr (MHz)	dB
1> 915.0000	-22.077	1> 915.0000	-2.851
2: 932.0667	-9.194	2: 932.0667	-5.850
3: 898.2667	-15.357	3: 898.2667	-5.828
4: 815.0000	0.083	4: 815.0000	-70.725
5: 1015.0000	0.112	5: 1015.0000	-64.410