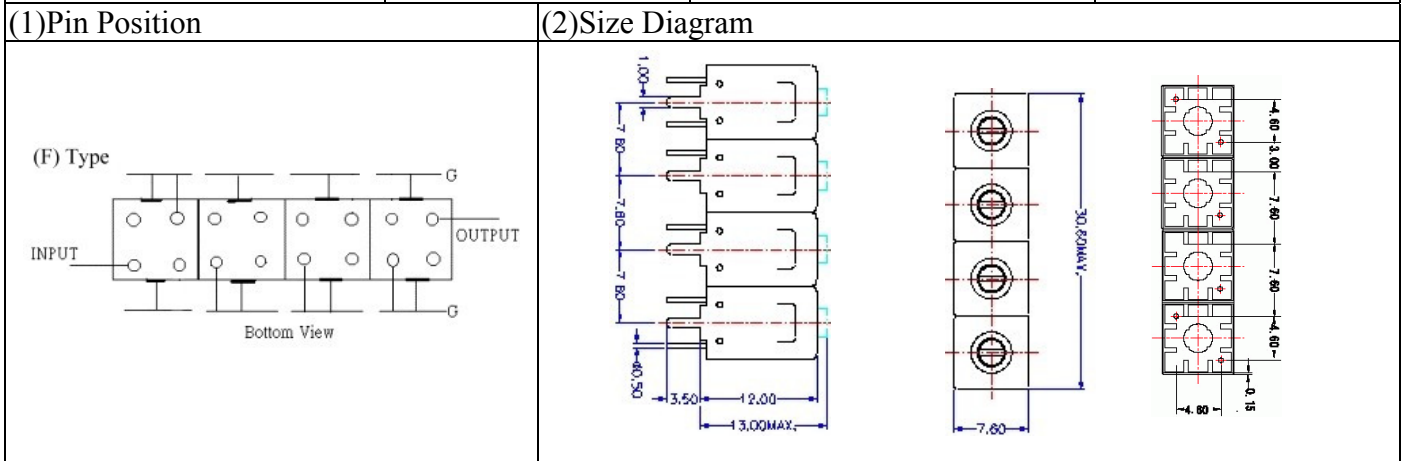


VHF UHF Helical Filter Specification Sheet

Customer Name		Temwell's Part No.	TF69862F-966.5M
Approval No. /dated		Temwell's Print name	69862F 966.5M
Work Instruction No.	201504069C	Date	Jun.29.2015



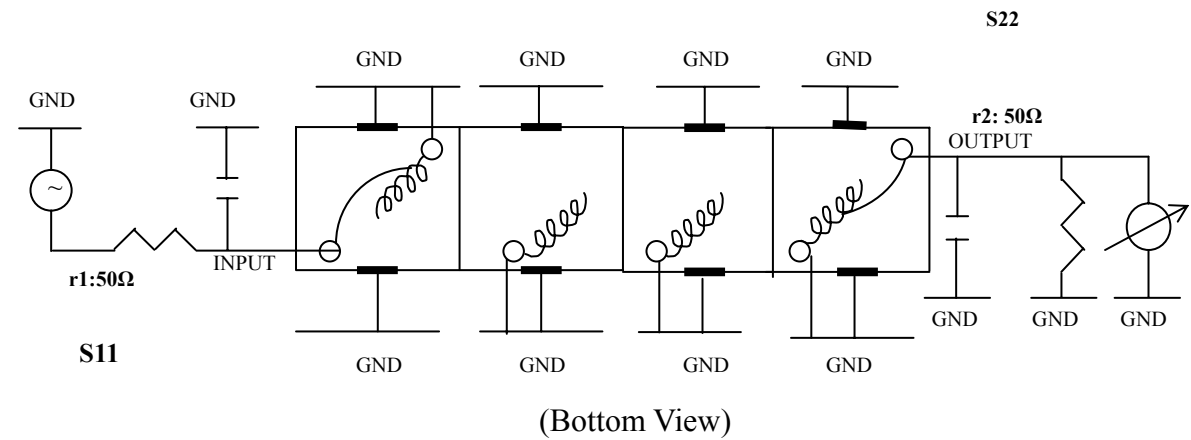
(3) Electric Characteristic		Item	Specify	
Center Freq.(Fo) +/- 0.5 %			966.5	MHz
Insertion Loss		Typ.	2.0	dB
-3 dB Bandwidth		Typ.	110	MHz
Sensitivity (Attenuation)	Fo - (200) MHz	Typ.	50	dBc
	Fo + (200) MHz	Typ.	48	dBc
	Fo - () MHz	Typ.		dBc
	Fo + () MHz	Typ.		dBc
Return Loss		Min.	12	dB
Ripple			< 1	dB
Impedance			In / Out : 50 Ω	

(4) Torque for Tuning Screw > 100gf • cm

(5) Temperature Condition:
 Operating Temperature 0°C ~ +60°C
 Storage Temperature -20°C ~ +70°C

(6) Input Power > 1Watt

(7) Measuring Circuit: ※Easy to match Impedance S11/S22 50Ω by parallel with about(--).



Approval	Supervisor	Designer	Aperture size
C.Y.Chang	C.S.Chang	P.H.Chiang	7H4S(4*6.8)(6.82) 7H046RB6.5(J1)

TEMWELL CORPORATION

Performance-TF69862F-966.5M

2001504069C

