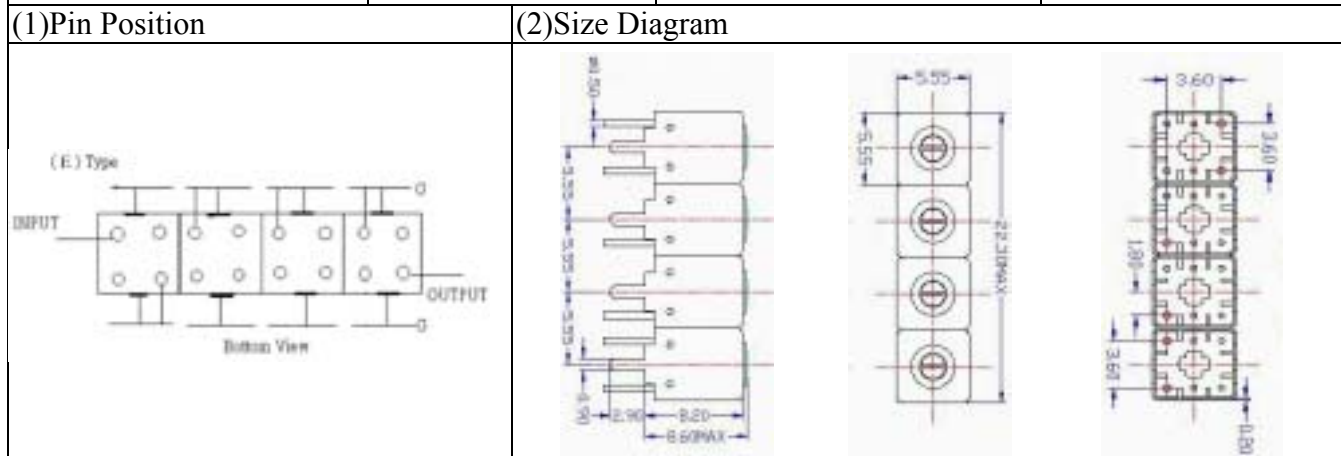
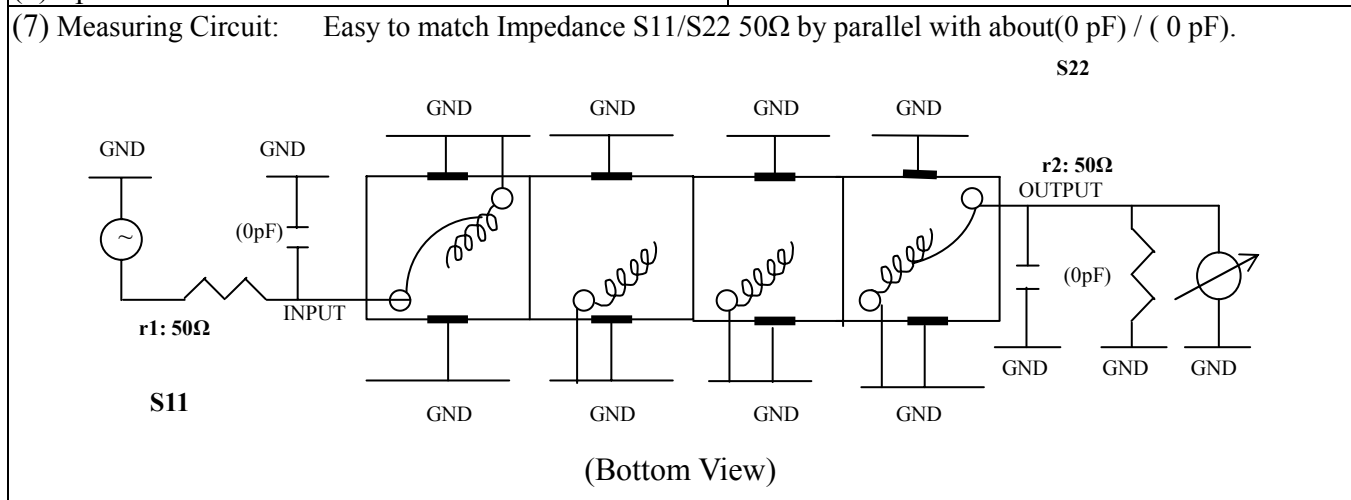


VHF UHF Helical Filter Specification Sheet

Customer Name		Temwell's Part No.	TFW4624E-2140M
Approval No. /dated	0712107APR	Temwell,s print Name	4624E 2140M
Work Instruction No.	0712107CD	Date	Mar.24.2008



(3) Electric Charasteric	
Item	Specify
Center Freq.(Fo) +/- 0.5 %	2140 MHz
Insertion Loss	Typ. 3.5 dB
-3 dB Bandwidth	Typ. 74 MHz
Sensitivity (Attenuation)	Fo - 100 MHz Typ. 28 dBc
	Fo + 100 MHz Typ. 16 dBc
	Fo - ()MHz Typ. dBc
	Fo +()MHz Typ. dBc
Return Loss	Min. 12 dB
Ripple	< 1 dB
Impedance	In / Out : 50 Ω
(4) Torque for Tuning Screw	> 60gf cm
(5) Temperature Condition:	
Operating Temperature	-0 ~ +60
Storage Temperature	-20 ~ +70
(6) Input Power	> 0.5Watt

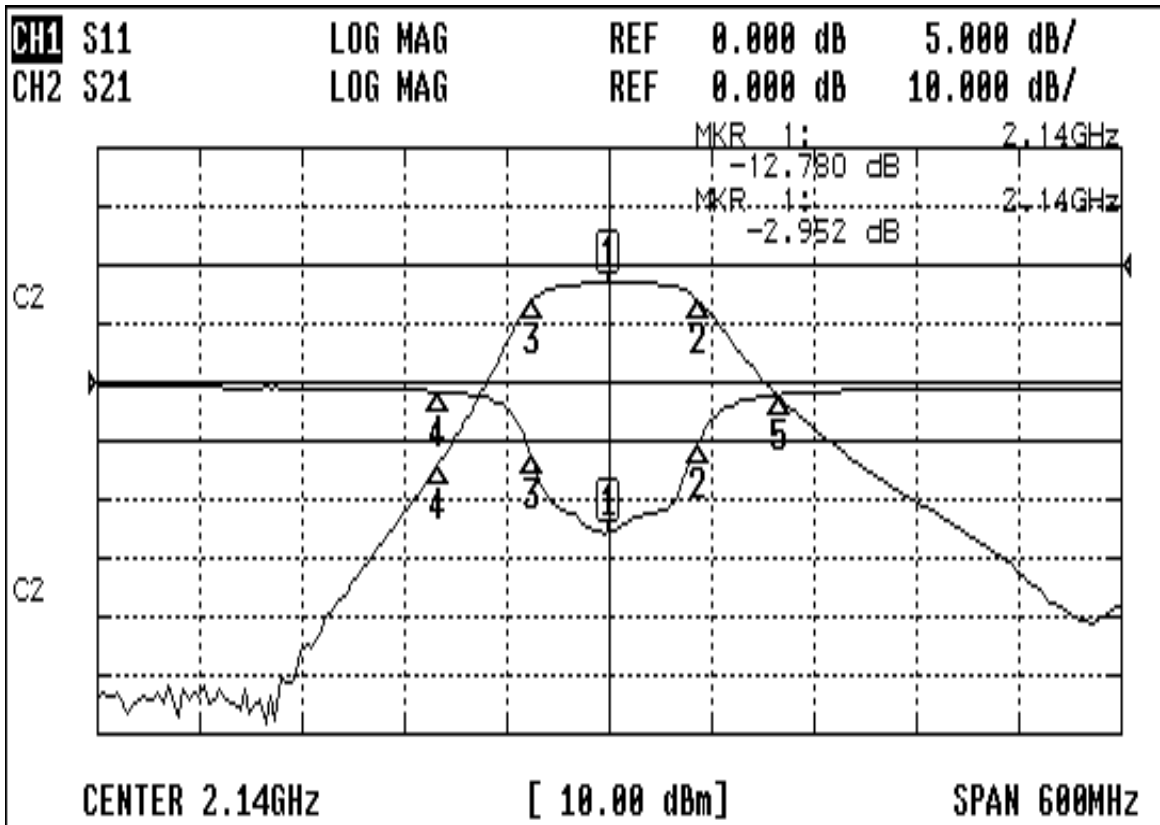


Approval C.Y.Chang	Supervisor C.S.Chang	Designer Y.H.Yeh	Aperture size 5H4S(3.8*5.1)(3.2B) 5HW046RB3.2
-----------------------	-------------------------	---------------------	---

TEMWELL CORPORATION

Performance-TFW4624E-2140M

0712107CD



CH1 MARKER LIST

1:	2.140	000GHz	-12.780	dB
2:	2.192	000GHz	-5.390	dB
3:	2.095	000GHz	-6.308	dB
4:	2.040	000GHz	-0.799	dB
5:	2.240	000GHz	-1.029	dB
6:				
7:				
8:				
9:				
10:				

CH2 MARKER LIST

1:	2.140	000GHz	-2.956	dB
2:	2.192	000GHz	-5.929	dB
3:	2.095	000GHz	-6.006	dB
4:	2.040	000GHz	-34.134	dB
5:	2.240	000GHz	-22.431	dB
6:				
7:				
8:				
9:				
10:				