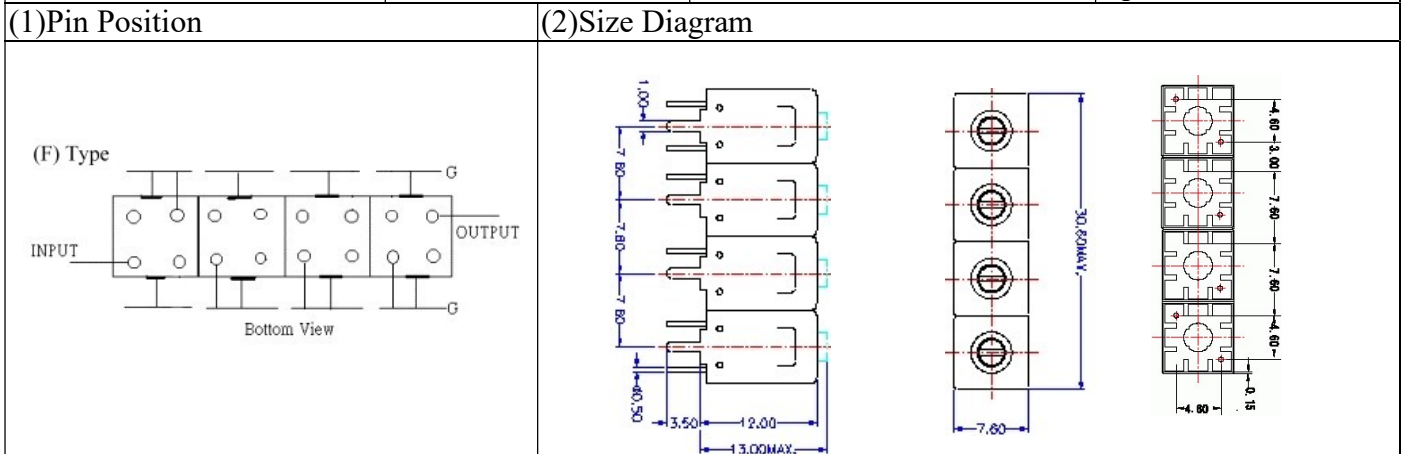


VHF UHF Helical Filter Specification Sheet

Customer Name		Temwell's Part No.	TF64384F-750M
Approval No. /dated		Temwell's Print name	64384F 750M
Work Instruction No.	201504062C	Date	Apr.01.2016



(3) Electric Charasteric

Item	Specify	
Center Freq.(Fo) +/- 0.5 %	750	MHz
Insertion Loss	Typ. 2.0	dB
-3 dB Bandwidth	Typ. 130	MHz
Sensitivity (Attenuation)	Fo - (200) MHz	Typ. 52 dBc
	Fo + (200) MHz	Typ. 33 dBc
	Fo - () MHz	Typ. dBc
	Fo + () MHz	Typ. dBc
Return Loss	Min. 12	dB
Ripple	< 1	dB
Impedance	In / Out : 50 Ω	

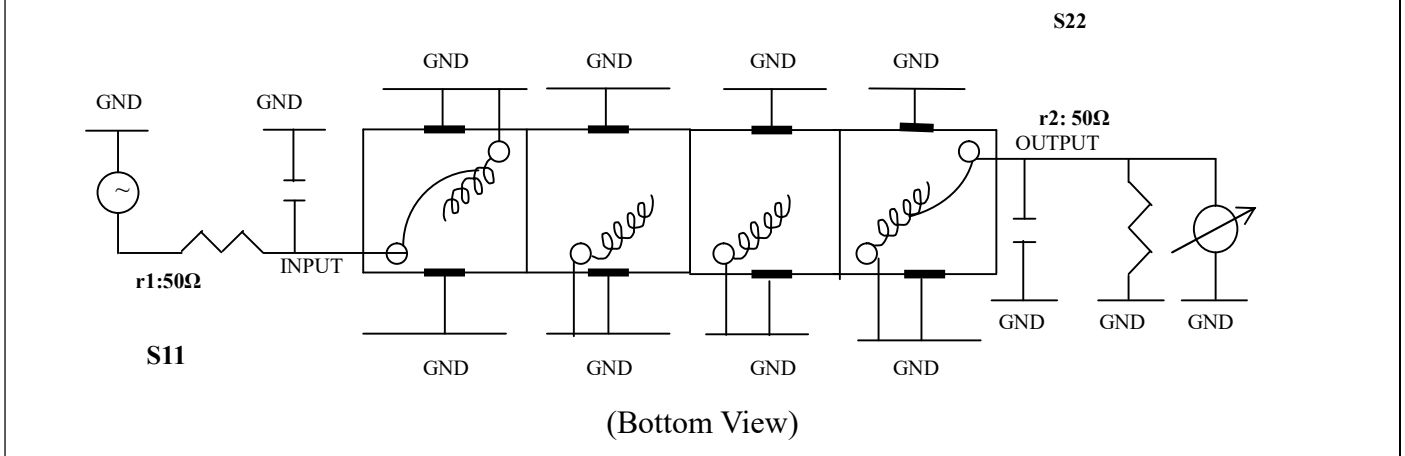
(4) Torque for Tuning Screw > 60gf · cm

(5) Temperature Condition:

Operating Temperature	0°C ~ +60°C
Storage Temperature	-20°C ~ +70°C

(6) Input Power > 1Watt

(7) Measuring Circuit: ※Easy to match Impedance S11/S22 50Ω by parallel with about(--) (--).



Approval	Supervisor	Designer	Aperture size
C.Y.Chang	C.K.Chang	C.S.Chang	7H4S(4*8.0)(8.06) 7H046RB6.5

TEMWELL CORPORATION

Performance-TF64384F-750M

201504062C

Tr1 S11 Log Mag 5.000dB/ Ref 0.000dB [F2]
Tr2 S21 Log Mag 10.00dB/ Ref 0.000dB [F2]

