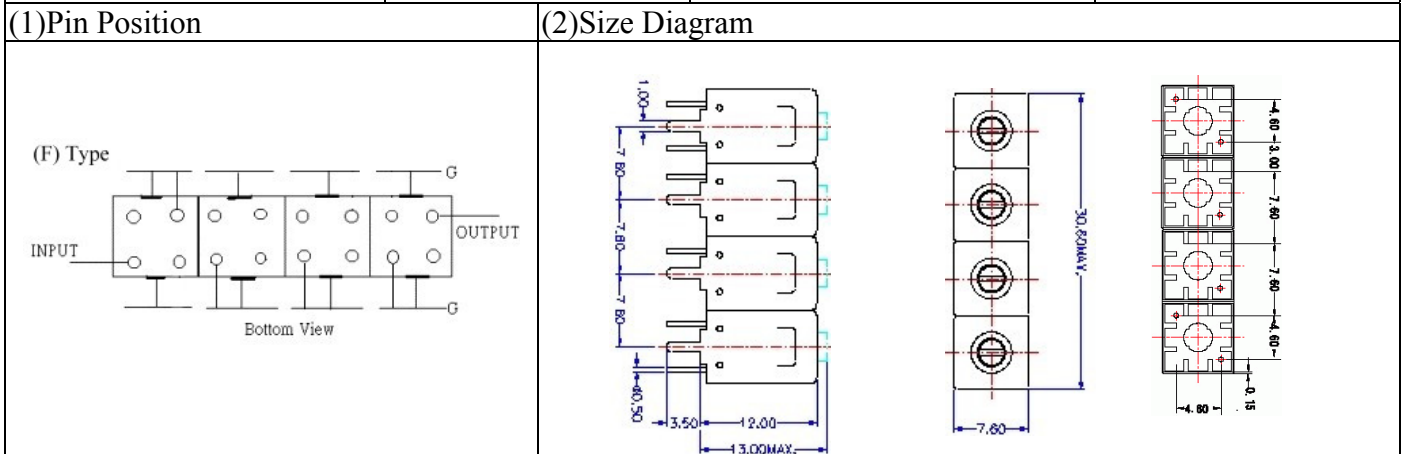


# VHF UHF Helical Filter Specification Sheet

Customer Name		Temwell's Part No.	TF6493F-530M
Approval No. /dated		Temwell's Print name	6493F 530M
Work Instruction No.	201504057C	Date	Jun.25.2015

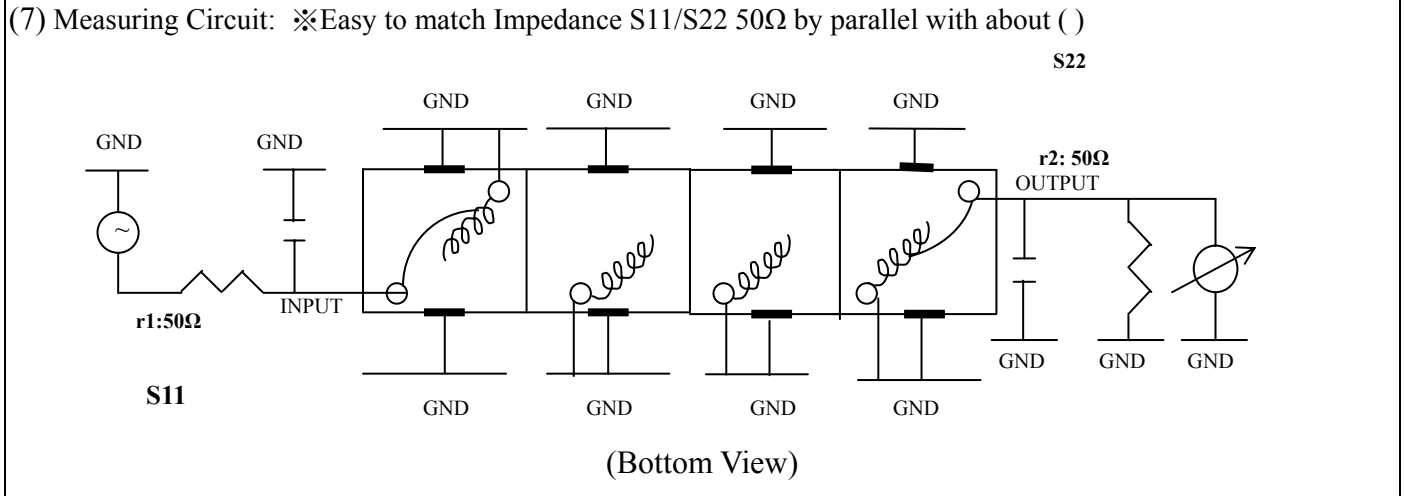


Item		Specify	
Center Freq.(Fo) +/- 0.5 %		530	MHz
Insertion Loss		Typ. 2.0	dB
-3 dB Bandwidth		Typ. 120	MHz
Sensitivity (Attenuation)	Fo - (150) MHz	Typ. 47	dBc
	Fo + (150) MHz	Typ. 30	dBc
	Fo - ( ) MHz	Typ.	dBc
	Fo + ( ) MHz	Typ.	dBc
Return Loss		Min. 12	dB
Ripple		< 1 dB	
Impedance		In / Out : 50 Ω	

(4) Torque for Tuning Screw > 60gf · cm

(5) Temperature Condition:	
Operating Temperature	0°C ~ +60°C
Storage Temperature	-20°C ~ +70°C

(6) Input Power > 1Watt



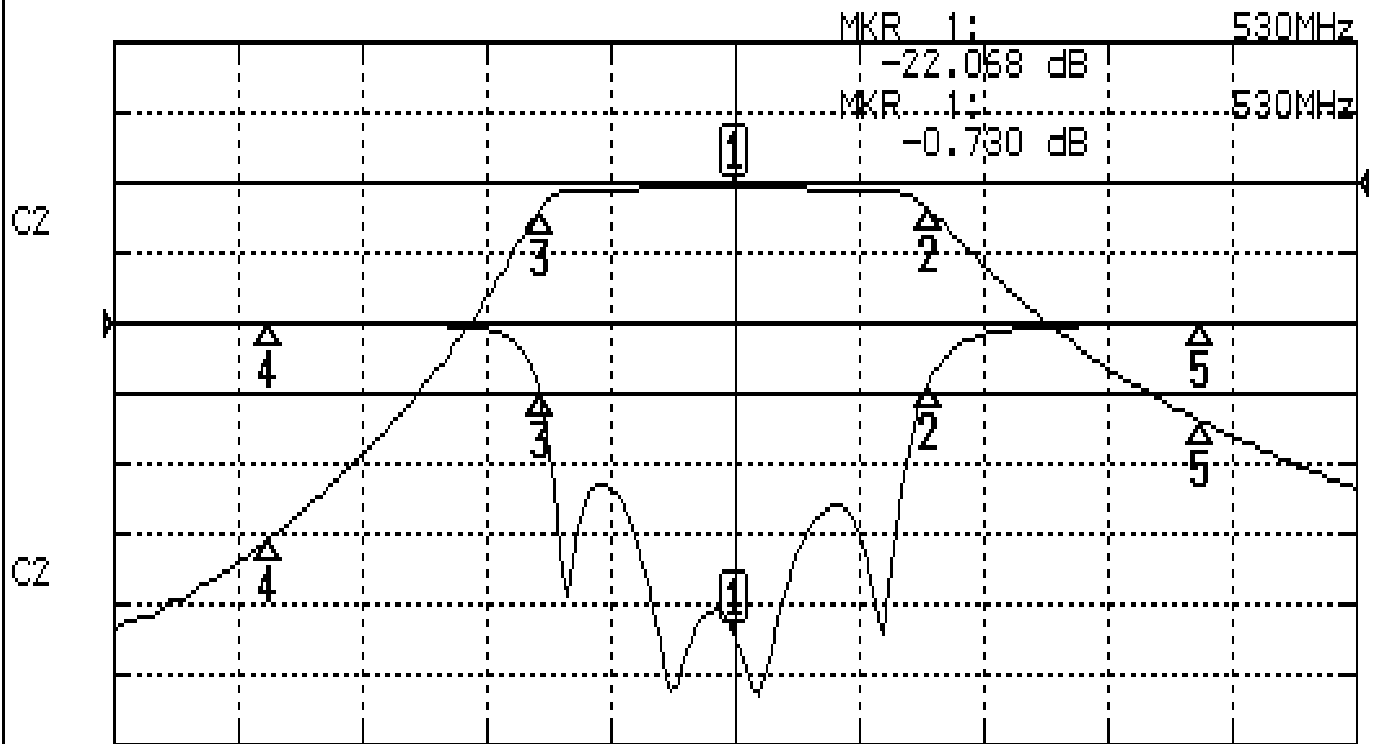
Approval	Supervisor	Designer	Aperture size
C.Y.Chang	C.K.Chang	C.S.Chang	7H4S(4*8.0)(8.01) 7H046RB6.5(J1)

TEMWELL CORPORATION

# Performance-TF6493F-530M

## 201504057C

CH1 S11 LOG MAG REF 0.000 dB 5.000 dB/  
CH2 S21 LOG MAG REF 0.000 dB 10.000 dB/



CENTER 530MHz

[ 10.00 dBm ]

SPAN 400MHz

### CH1 MARKER LIST

Marker	Frequency (MHz)	Magnitude (dB)
1:	530.000MHz	-22.036 dB
2:	592.341MHz	-4.390 dB
3:	467.333MHz	-4.964 dB
4:	380.000MHz	-0.019 dB
5:	680.000MHz	-0.005 dB

### CH2 MARKER LIST

Marker	Frequency (MHz)	Magnitude (dB)
1:	530.000MHz	-0.730 dB
2:	592.341MHz	-3.805 dB
3:	467.333MHz	-3.750 dB
4:	380.000MHz	-50.747 dB
5:	680.000MHz	-33.958 dB