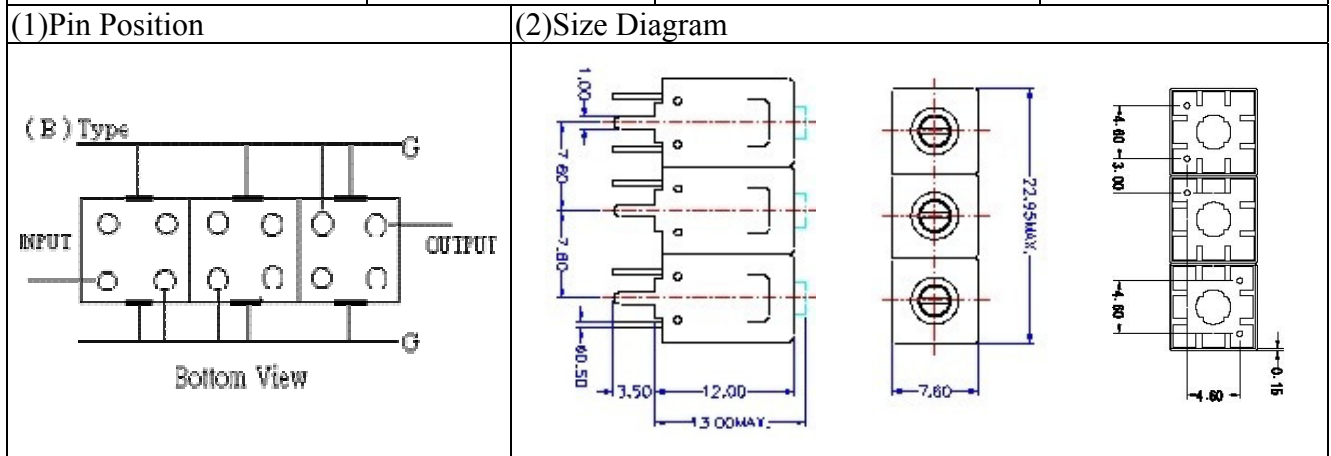
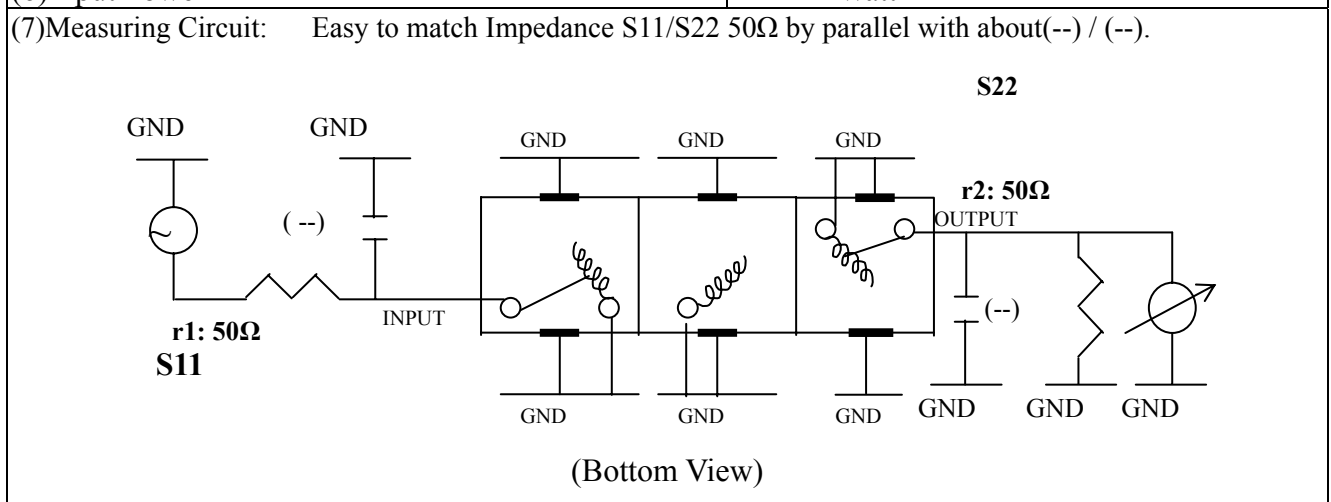


VHF UHF Helical Filter Specification Sheet

Customer Name		Temwell's Part No.	TT63223B-288M-80M
Approval No. /dated		Temwell's Print Name.	63223B 288M
Work Instruction No.	201004034C	Date	Oct.08.2010



(3) Electric Charasteric		Item	Specify
		Center Freq.(Fo) +/- 0.5 %	288 MHz
		Insertion Loss	Typ. 2.0 dB
		-3 dB Bandwidth	Typ. 80 MHz
Sensitivity (Attenuation)	Fo - 100 MHz	Typ. 33 dBc	
	Fo + 100 MHz	Typ. 20 dBc	
	Fo - ()MHz	Typ. dBc	
	Fo +()MHz	Typ. dBc	
Return Loss		Min. 12 dB	
Ripple		< 1 dB	
Impedance		In / Out : 50 Ω	
(4) Torque for Tuning Screw		> 100gf cm	
(5) Temperature Condition:			
Operating Temperature		0 ~ +60	
Storage Temperature		-20 ~ +70	
(6) Input Power		> 1Watt	



Approval C.Y.Chang	Supervisor C.K.Chang	Designer C.S.Chang	Aperture size 7H3S(4*8.0)(8.08) 7H046RB6.5(J1)(LBW)
-----------------------	-------------------------	-----------------------	---

TEMWELL CORPORATION

Performance-TT63223B-288M

201004034C

