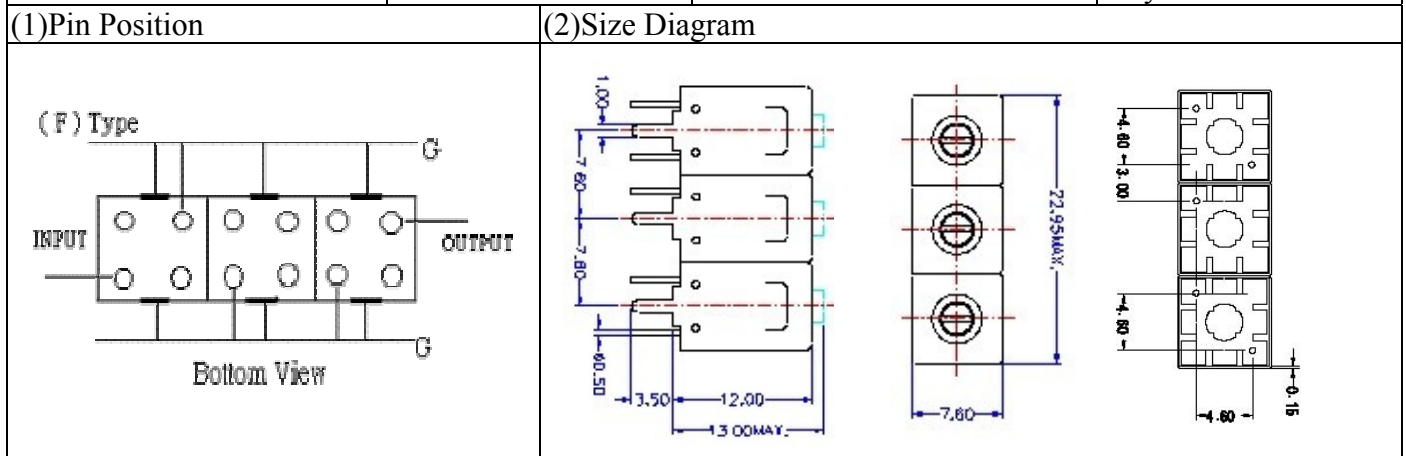
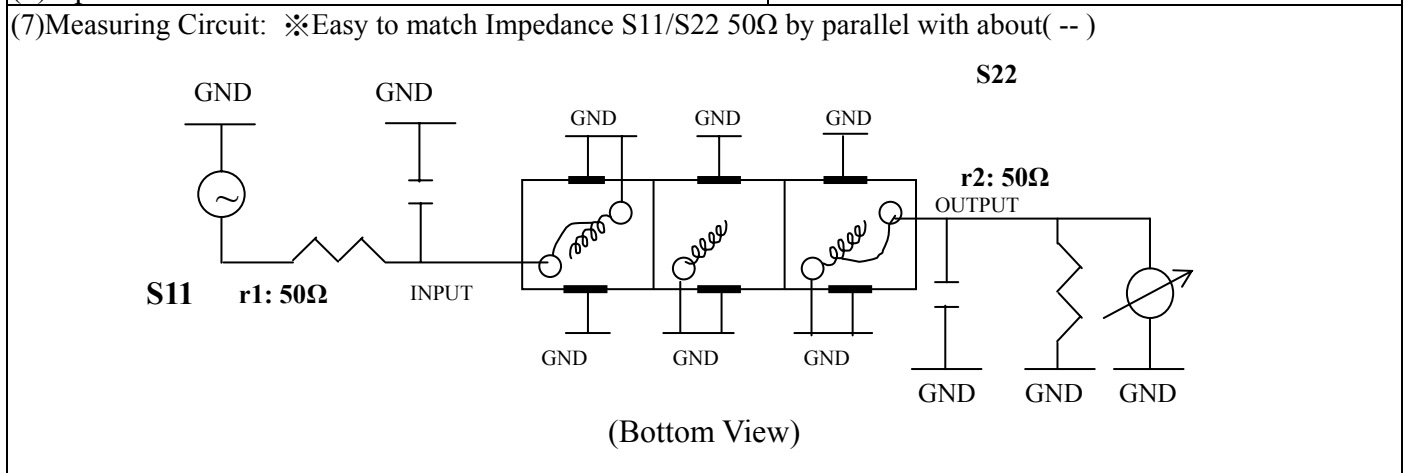


# VHF UHF Helical Filter Specification Sheet

Customer Name		Temwell's Part No.	TT63338F-980M
Approval No. /dated		Temwell's print name	63338F 980M
Work Instruction No.	201504046C	Date	May.26.2015



(3) Electric Chararistic	
Item	Specify
Center Freq.(Fo) +/- 0.5 %	980 MHz
Insertion Loss	Typ. 2.0 dB
-3 dB Bandwidth	Typ. 120 MHz
Sensitivity (Attenuation)	Fo - 200 MHz    Typ. 28 dBc
	Fo + 200 MHz    Typ. 34 dBc
	Fo - ( )MHz      Typ.    dBc
	Fo +( )MHz      Typ.    dBc
Return Loss	Min. 12 dB
Ripple	< 1 dB
Impedance	In / Out : 50 Ω
(4) Torque for Tuning Screw	> 100gf · cm
(5) Temperature Condition:	
Operating Temperature	0°C ~ +60°C
Storage Temperature	-20°C ~ +70°C
(6) Input Power	> 1Watt



Approval C.Y.Chang	Supervisor C.K.Chang	Designer C.S.Chang	Aperture size 7H3S(4*5.5)(5.56) 7H046RB6.5(J1)
-----------------------	-------------------------	-----------------------	--

TEMWELL CORPORATION

# Performance-TT63338F-980M

## 201504046C

Tr1 S11 Log Mag 5.000dB/ Ref 0.000dB [F2]  
Tr2 S21 Log Mag 10.00dB/ Ref 0.000dB [F2]

