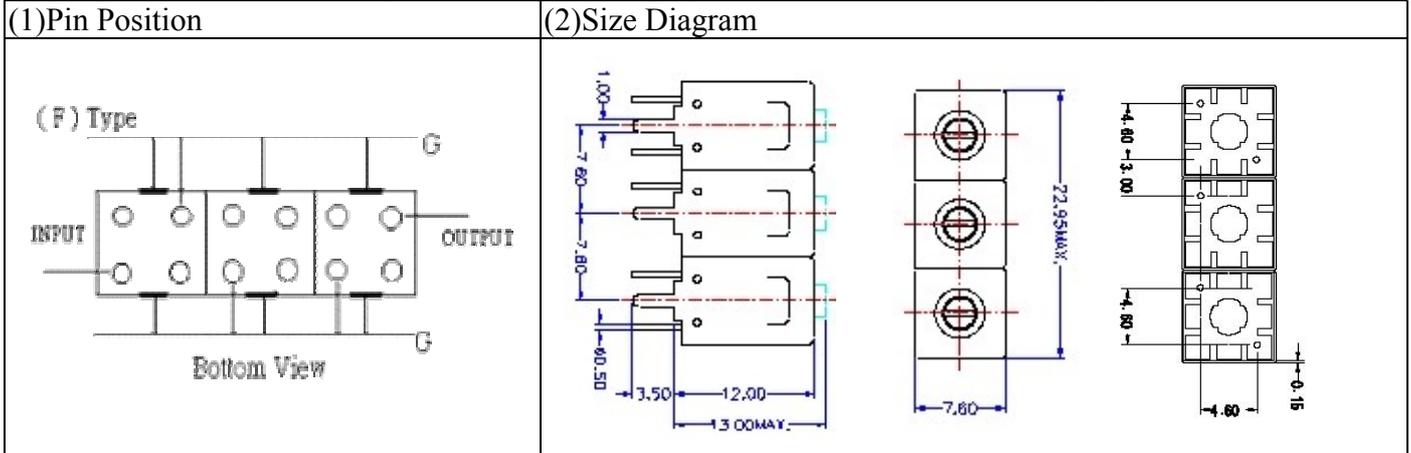
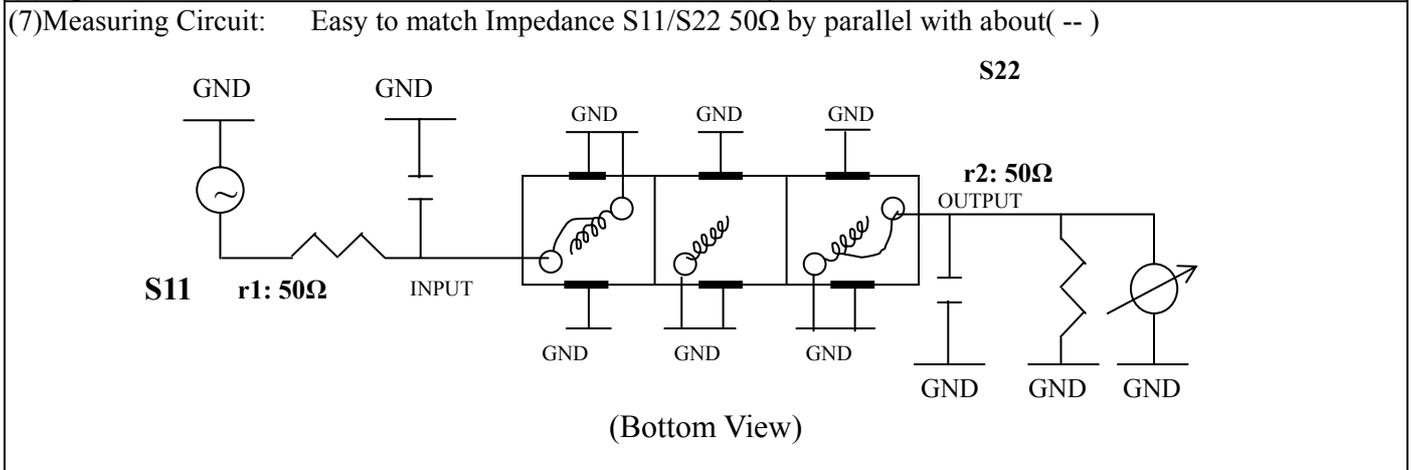


VHF UHF Helical Filter Specification Sheet

| | | | |
|----------------------|------------|----------------------|-----------------|
| Customer Name | | Temwell's Part No. | TT63339F-1160M |
| Approval No. /dated | | Temwell's print name | 63339F 1160M |
| Work Instruction No. | 201504048C | Date | Jul.01.2015 |



| (3) Electric Chararistic | |
|------------------------------|--------------------------|
| Item | Specify |
| Center Freq.(Fo) +/- 0.5 % | 1160 MHz |
| Insertion Loss | Typ. 2.0 dB |
| -3 dB Bandwidth | Typ. 120 MHz |
| Sensitivity (Attenuation) | Fo - 200 MHz Typ. 25 dBc |
| | Fo + 200 MHz Typ. 20 dBc |
| | Fo - ()MHz Typ. dBc |
| | Fo +()MHz Typ. dBc |
| Return Loss | Min. 12 dB |
| Ripple | < 1 dB |
| Impedance | In / Out : 50 Ω |
| (4) Torque for Tuning Screw | > 100gf cm |
| (5) Temperature Condition: | |
| Operating Temperature | 0 ~ +60 |
| Storage Temperature | -20 ~ +70 |
| (6) Input Power | > 1Watt |



| | | | |
|-----------------------|-------------------------|-----------------------|---|
| Approval C.Y.Chang | Supervisor C.K.Chang | Designer C.S.Chang | Aperture size 7H3S(4*6.5)(6.58) 7H046RB6.5 (J1) |
|-----------------------|-------------------------|-----------------------|---|

TEMWELL CORPORATION

Performance-TT63339F-1160M

201504048C

Tr1 S11 Log Mag 5.000dB/ Ref 0.000dB [F2]
Tr2 S21 Log Mag 10.00dB/ Ref 0.000dB [F2]

