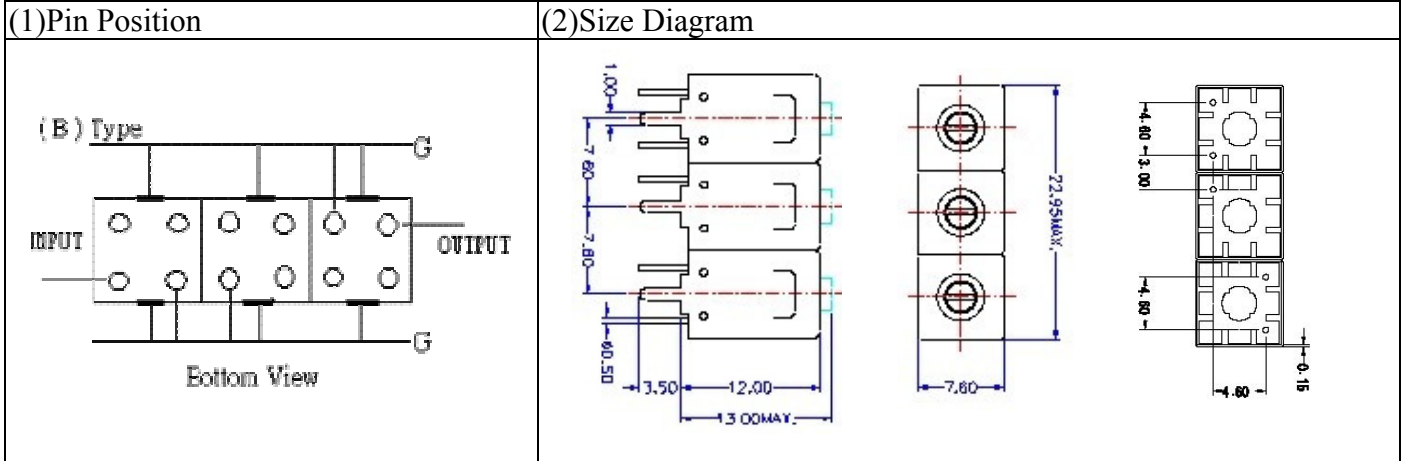


VHF UHF Helical Filter Specification Sheet

Customer Name		Temwell's Part No.	TT63366B-650M
Approval No. /dated		Temwell's Print name	63366B 650M
Work Instruction No.	201504038C	Date	Apr.17.2015



(3) Electric Characteristic		Item	Specify
Center Freq.(Fo) +/- 0.5 %			650 MHz
Insertion Loss		Typ.	2.0 dB
-3 dB Bandwidth		Typ.	120 MHz
Sensitivity (Attenuation)	Fo - 200 MHz	Typ.	39 dBc
	Fo + 200 MHz	Typ.	26 dBc
	Fo - ()MHz	Typ.	dBc
	Fo +()MHz	Typ.	dBc
Return Loss		Min.	12 dB
Ripple			< 1 dB
Impedance			In / Out : 50 Ω

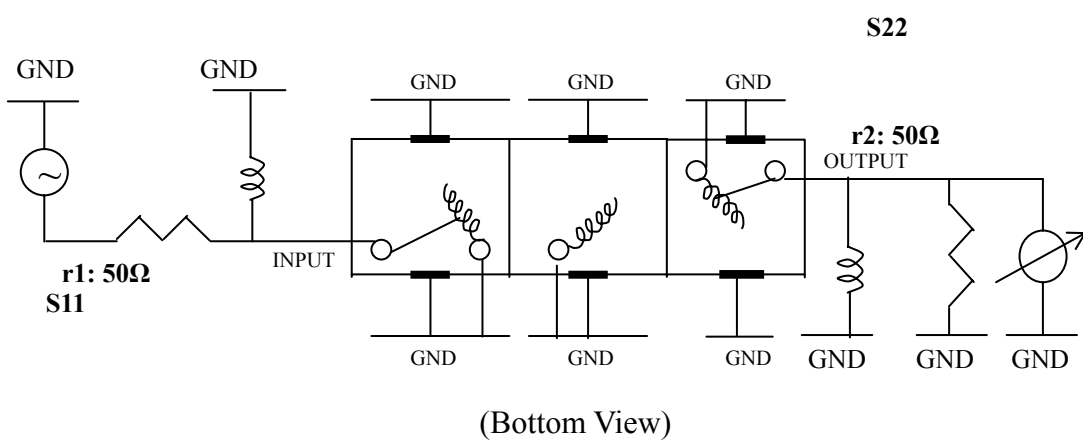
(4) Torque for Tuning Screw > 100gf · cm

(5) Temperature Condition:

Operating Temperature	0°C ~ +60°C
Storage Temperature	-20°C ~ +70°C

(6) Input Power > 1Watt

(7) Measuring Circuit: ※Easy to match Impedance S11/S22 50Ω by parallel with about(--) / (--).



Approval	Supervisor	Designer	Aperture size
C.Y.Chang	C.K.Chang	C.S.Chang	7H3S(4*8.0)(8.02) 7H046RB6.5(J2)

TEMWELL CORPORATION

Performance-TT63366B-650M

201504038C

