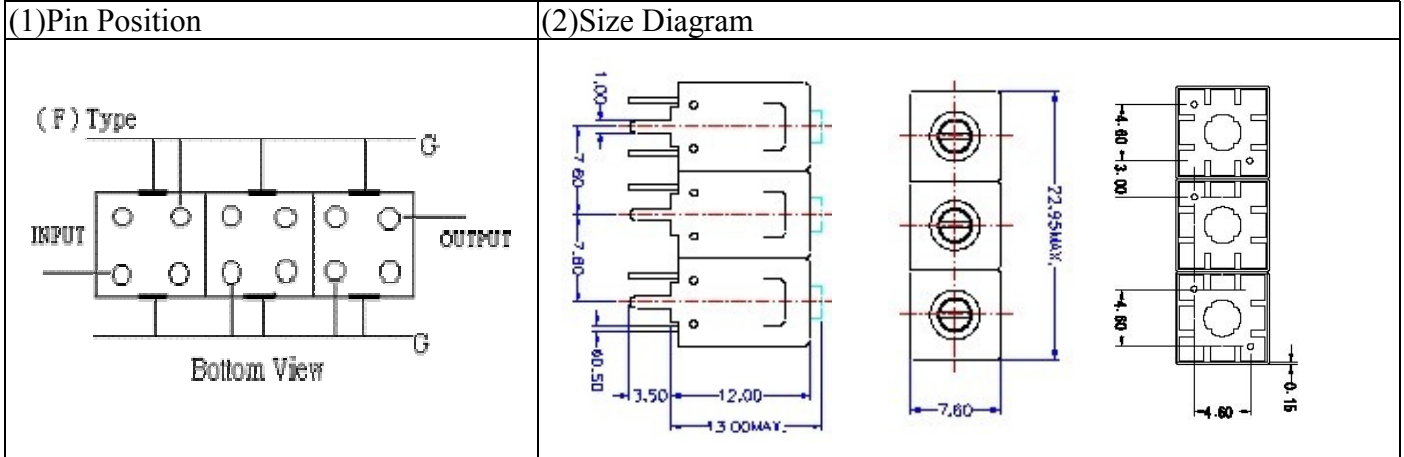


VHF UHF Helical Filter Specification Sheet

| | | | |
|----------------------|------------|----------------------|----------------|
| Customer Name | | Temwell's Part No. | TT63385F-800M |
| Approval No. /dated | | Temwell's print name | 63385F 800M |
| Work Instruction No. | 201504040C | Date | Apr.17.2015 |



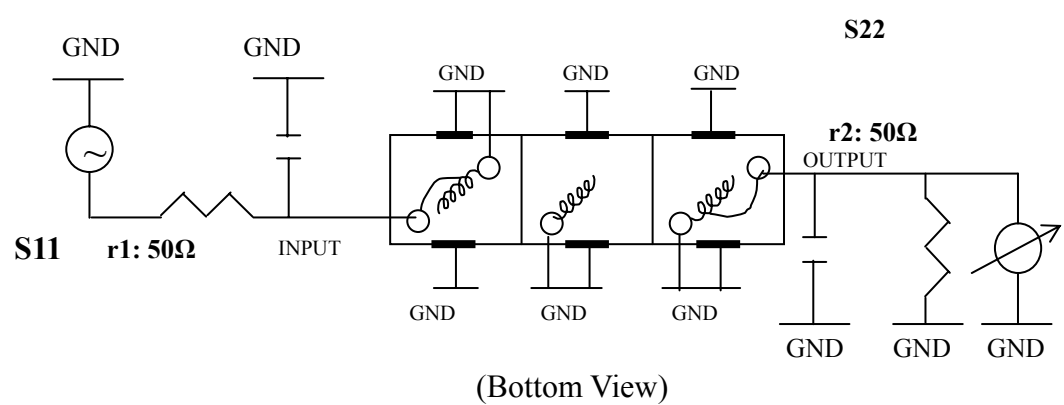
| (3) Electric Characteristic | | |
|------------------------------|-----------------|-------------|
| Item | Specify | |
| Center Freq.(Fo) +/- 0.5 % | 800 MHz | |
| Insertion Loss | Typ. 2.0 dB | |
| -3 dB Bandwidth | Typ. 130 MHz | |
| Sensitivity (Attenuation) | Fo - 200 MHz | Typ. 31 dBc |
| | Fo + 200 MHz | Typ. 23 dBc |
| | Fo - ()MHz | Typ. dBc |
| | Fo +()MHz | Typ. dBc |
| Return Loss | Min. 12 dB | |
| Ripple | < 1 dB | |
| Impedance | In / Out : 50 Ω | |

(4) Torque for Tuning Screw > 60gf · cm

| | |
|----------------------------|---------------|
| (5) Temperature Condition: | |
| Operating Temperature | 0°C ~ +60°C |
| Storage Temperature | -20°C ~ +70°C |

(6) Input Power > 1Watt

(7) Measuring Circuit: ※Easy to match Impedance S11/S22 50Ω by parallel with about(--)



| | | | |
|-----------|------------|-----------|---------------------------------|
| Approval | Supervisor | Designer | Aperture size |
| C.Y.Chang | C.K.Chang | C.S.Chang | 7H3S(4*7.5)(7.58) 7H046RB6.5 |

TEMWELL CORPORATION

Performance-TT63385F-800M

201504040C

