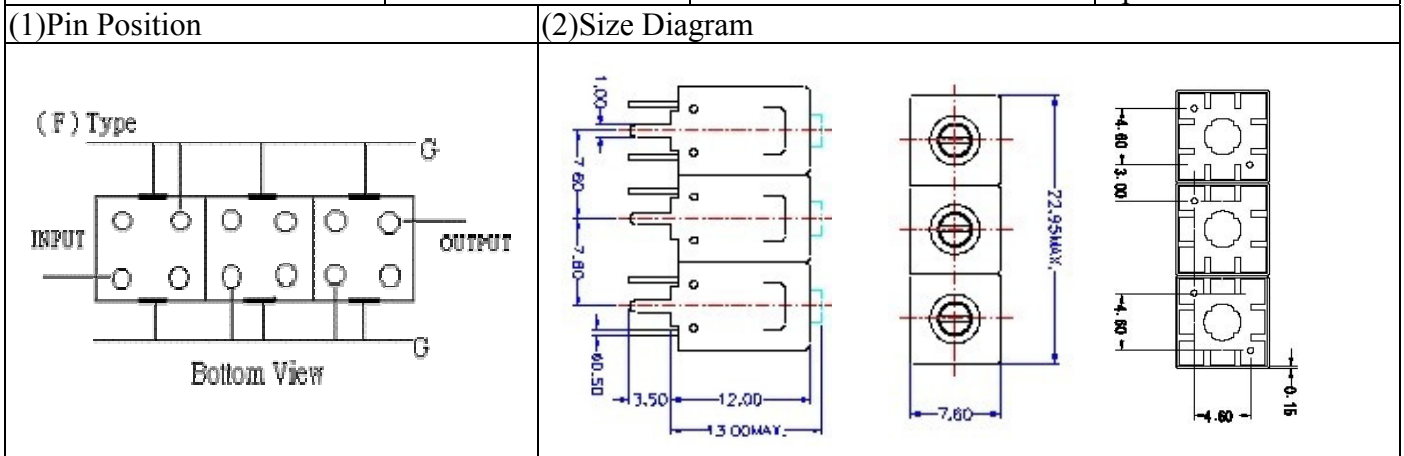


VHF UHF Helical Filter Specification Sheet

Customer Name		Temwell's Part No.	TT63386F-850M
Approval No. /dated		Temwell's print name	63386F 850M
Work Instruction No.	201504041C	Date	Apr.27.2015



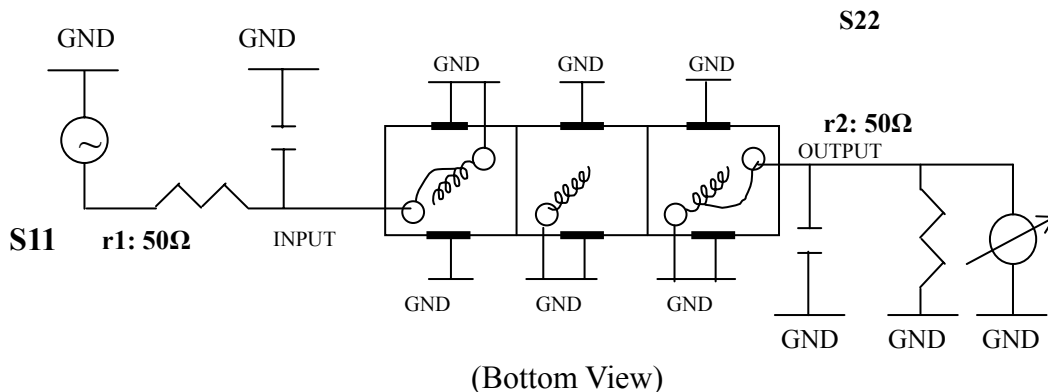
(3) Electric Chararistic		Item	Specify
Center Freq.(Fo) +/- 0.5 %			850 MHz
Insertion Loss		Typ.	1.5 dB
-3 dB Bandwidth		Typ.	120 MHz
Sensitivity (Attenuation)	Fo - 200 MHz	Typ.	33 dBc
	Fo + 200 MHz	Typ.	30 dBc
	Fo - ()MHz	Typ.	dBc
	Fo +()MHz	Typ.	dBc
Return Loss		Min.	12 dB
Ripple			< 1 dB
Impedance			In / Out : 50 Ω

(4) Torque for Tuning Screw > 60gf · cm

(5) Temperature Condition:
 Operating Temperature 0°C ~ +60°C
 Storage Temperature -20°C ~ +70°C

(6) Input Power > 1Watt

(7) Measuring Circuit: ※Easy to match Impedance S11/S22 50Ω by parallel with about(--)



Approval	Supervisor	Designer	Aperture size
C.Y.Chang	C.K.Chang	C.S.Chang	7H3S(4*7.5)(7.58) 7H046RB6.5

TEMWELL CORPORATION

Performance-TT63386F-850M-120M

201504041C

