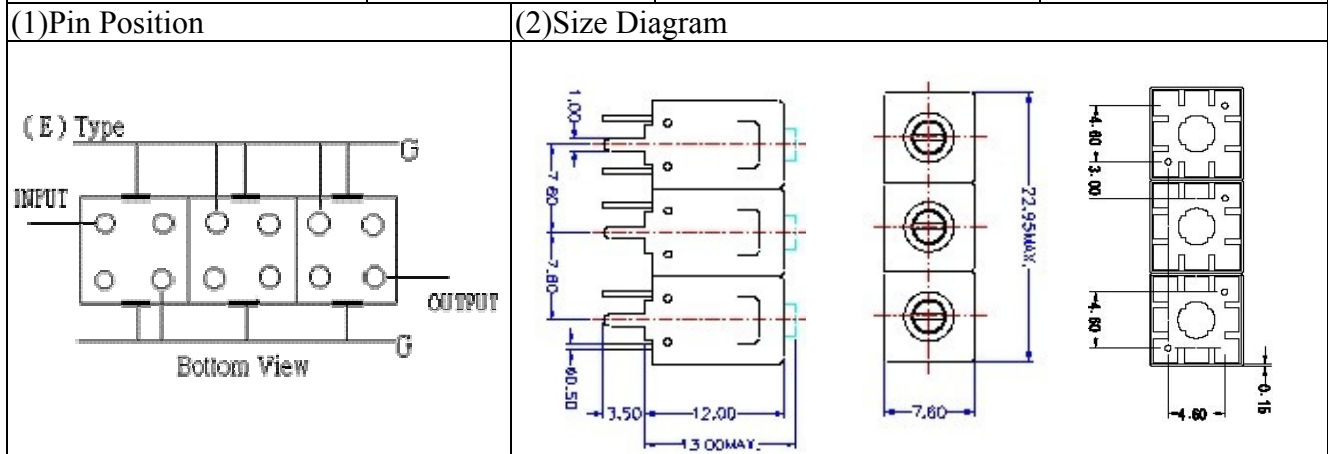


VHF UHF Helical Filter Specification Sheet

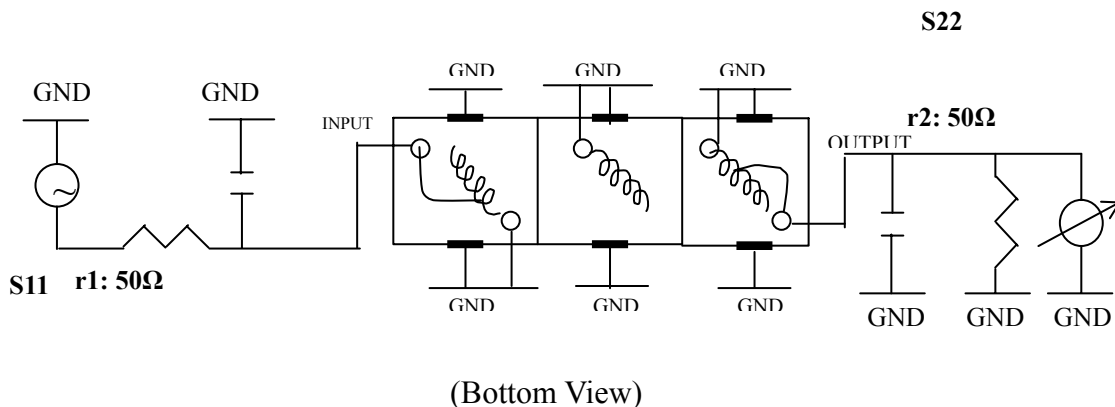
Customer Name		Temwell's Part No.	TT63395E-808M
Approval No. /dated		Temwell's Print Name.	63395E 808M
Work Instruction No.		Date	Dec.29.2010



(3) Electric Charasteric

Item		Specify	
Center Freq.(Fo) +/- 0.5 %		808	MHz
Insertion Loss		Typ. 2.0	dB
-1 dB Bandwidth		Typ. 120	MHz
Sensitivity (Attenuation)	Fo - (200)MHz	Typ. 30	dBc
	Fo +(200)MHz	Typ. 20	dBc
	Fo - ()MHz	Typ.	dBc
	Fo +()MHz	Typ.	dBc
Return Loss		Min. 12	dB
Ripple		< 1	dB
Impedance		In / Out : 50 Ω	
(4)Torque for Tuning Screw		> 100gf · cm	
(5)Temperature Condition:			
Operating Temperature		0°C ~ +60°C	
Storage Temperature		-20°C ~ +70°C	
(6)Input Power		> 1Watt	

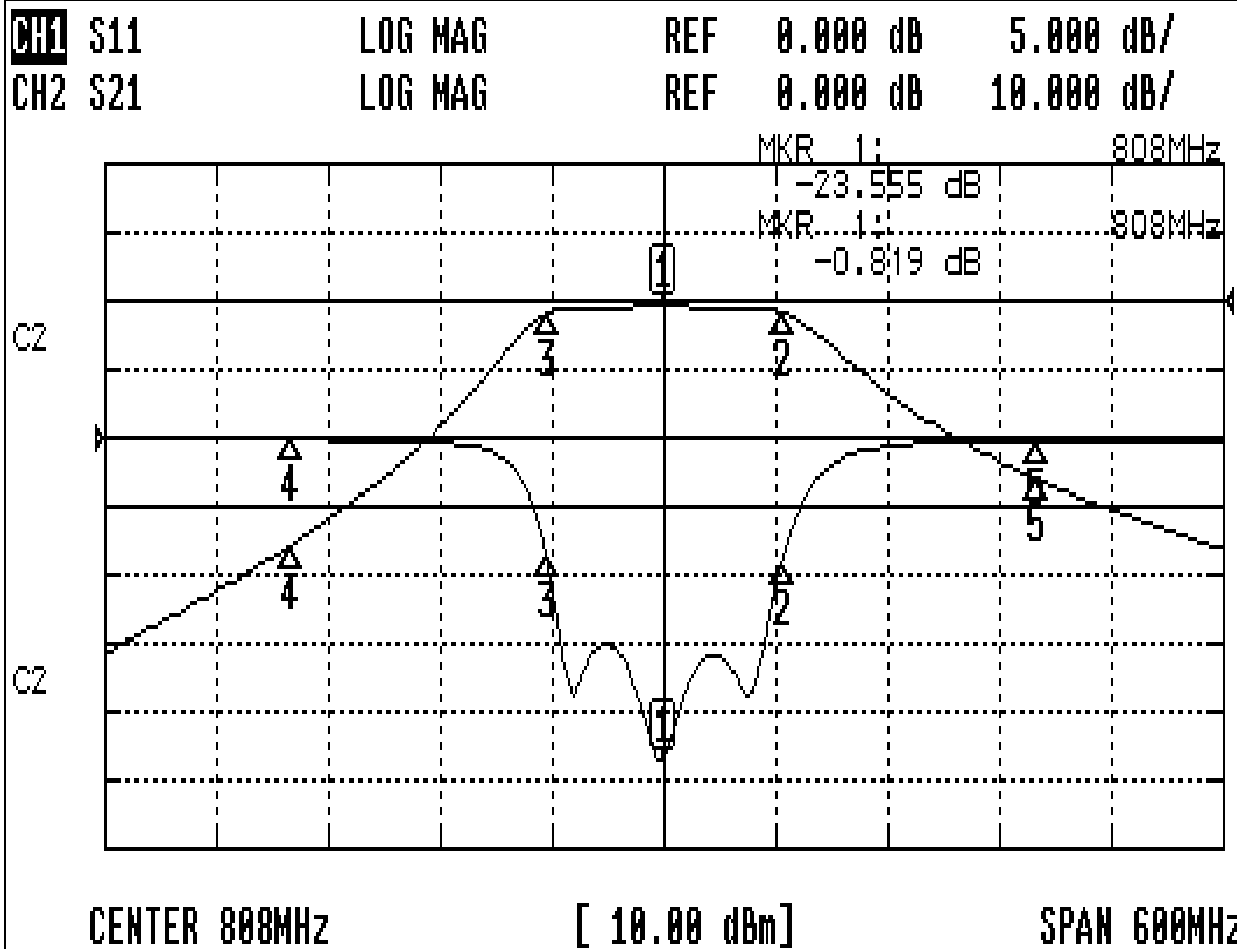
(7)Measuring Circuit: ※Easy to match Impedance S11/S22 50Ω by parallel with about(--) / (--).



Approval C.Y.Chang	Supervisor C.K.Chang	Designer C,S,Chang	Aperture size 7H3S(4*8.0)(8.05) (7H046RB6.5)LBW(J2)
TEMWELL CORPORATION			

Performance-TT63395E-808M

201012094B



CH1 MARKER LIST

1:	808.000MHz	-23.555 dB
2:	872.000MHz	-0.842 dB
3:	745.000MHz	-0.522 dB
4:	608.000MHz	-0.113 dB
5:	1.008 000GHz	-0.226 dB

CH2 MARKER LIST

1:	808.000MHz	-0.819 dB
2:	872.000MHz	-1.811 dB
3:	745.000MHz	-1.849 dB
4:	608.000MHz	-35.661 dB
5:	1.008 000GHz	-26.031 dB