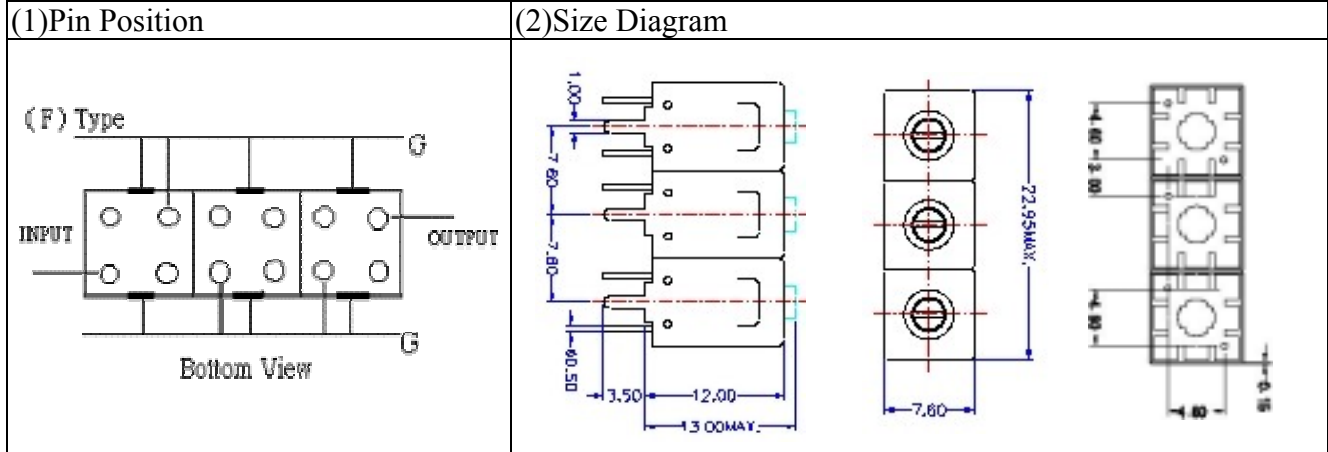


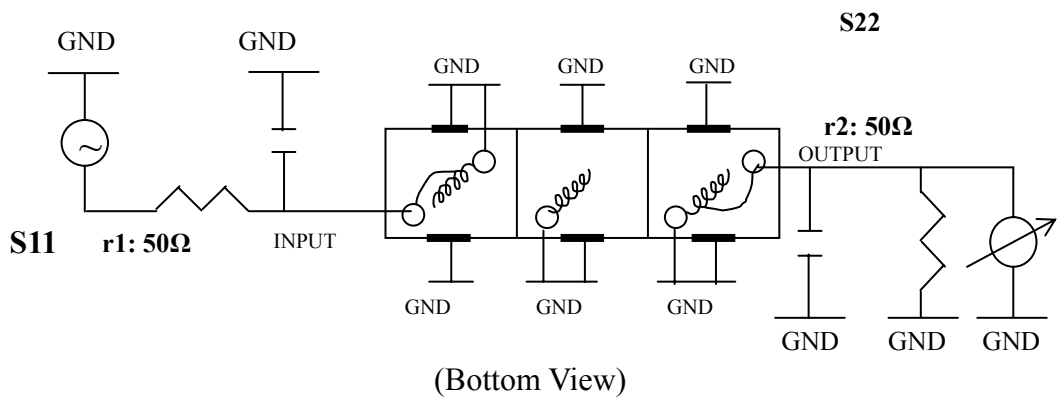
# VHF UHF Helical Filter Specification Sheet

Customer Name		Temwell's Part No.	TT6393F-530M
Approval No. /dated		Temwell's print name	6393F 530M
Work Instruction No.	201004067C	Date	Feb.15.2011



(3) Electric Charasteric		Item	Specify
Center Freq.(Fo ) +/- 0.5 %			530 MHz
Insertion Loss		Typ.	2.0 dB
-3 dB Bandwidth		Typ.	120 MHz
Sensitivity (Attenuation)	Fo - 200 MHz	Typ.	43 dBc
	Fo + 200 MHz	Typ.	25 dBc
	Fo - ( )MHz	Typ.	dBc
	Fo +( )MHz	Typ.	dBc
Return Loss		Min.	12 dB
Ripple			< 1 dB
Impedance			In / Out : 50 Ω
(4) Torque for Tuning Screw			> 60gf cm
(5) Temperature Condition:			
Operating Temperature			0 ~ +60
Storage Temperature			-20 ~ +70
(6) Input Power			> 1Watt

(7) Measuring Circuit: Easy to match Impedance S11/S22 50Ω by parallel with about( -- ) / ( -- ).

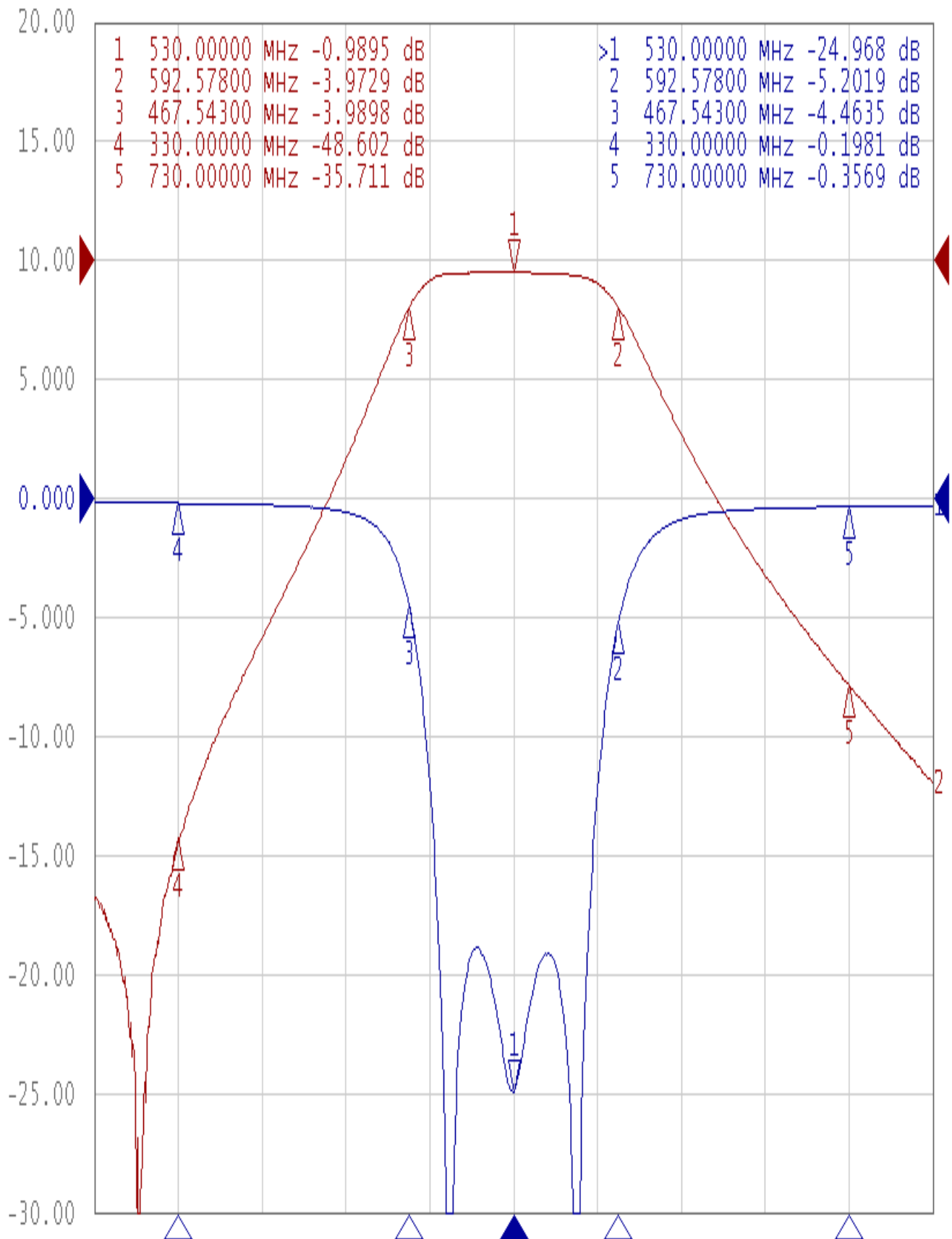


Approval C.Y.Chang	Supervisor C.K.Chang	Designer C.S.Chang	Aperture size 7H3S(4*8.0)(8.02) 7H046RB6.5(LBW)
TEMWELL CORPORATION			

# Performance-TT6393F-530M

## 201004067C

Tr1 S11 Log Mag 5.000dB/ Ref 0.000dB [F2]  
Tr2 S21 Log Mag 10.00dB/ Ref 0.000dB [F2]



1 Center 530 MHz

IFBW 10 kHz

Span 500 MHz Cor !