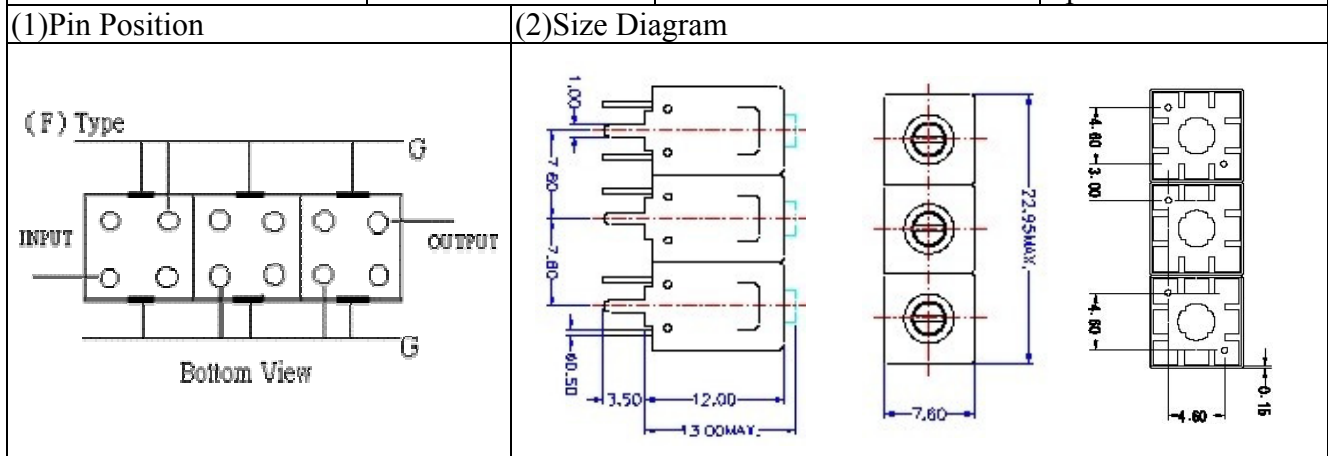


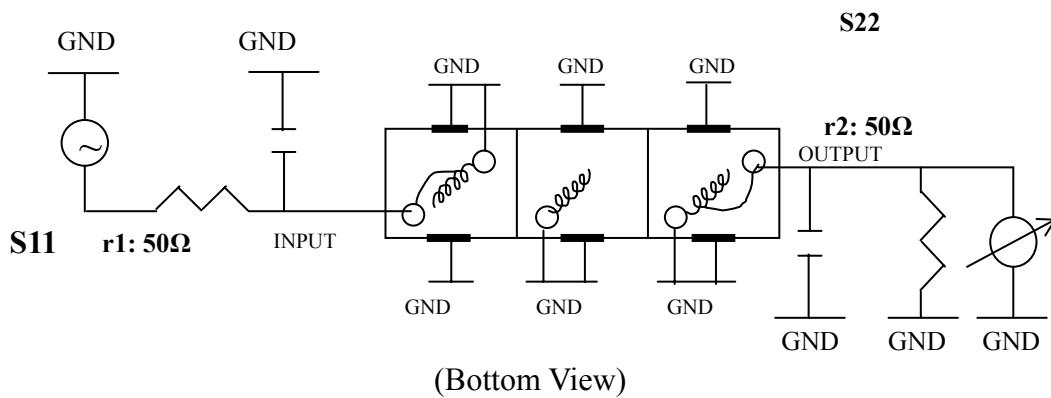
VHF UHF Helical Filter Specification Sheet

Customer Name		Temwell's Part No.	TT67618F-625M
Approval No. /dated	201004084CD	Temwell's print name	67618F 625M
Work Instruction No.	201004084CD	Date	Apr.20.2011



(3) Electric Charasteric		Item	Specify
Center Freq.(Fo) +/- 0.5 %			625 MHz
Insertion Loss		Typ.	1.5 dB
-3 dB Bandwidth		Typ.	130 MHz
Sensitivity (Attenuation)	Fo - 200 MHz	Typ.	34 dBc
	Fo + 200 MHz	Typ.	25 dBc
	Fo - ()MHz	Typ.	dBc
	Fo +()MHz	Typ.	dBc
Return Loss		Min.	12 dB
Ripple			< 1 dB
Impedance			In / Out : 50 Ω
(4)Torque for Tuning Screw			> 60gf cm
(5)Temperature Condition:			
Operating Temperature			0 ~ +60
Storage Temperature			-20 ~ +70
(6)Input Power			> 1Watt

(7)Measuring Circuit: Easy to match Impedance S11/S22 50Ω by parallel with about(--) / (--).



Approval C.Y.Chang	Supervisor C.K.Chang	Designer C.S.Chang	Aperture size 7H3S(4*8.0)(8.04) 7H046RB6.5
TEMWELL CORPORATION			

Performance-TT67618F-625M

201004084CD

