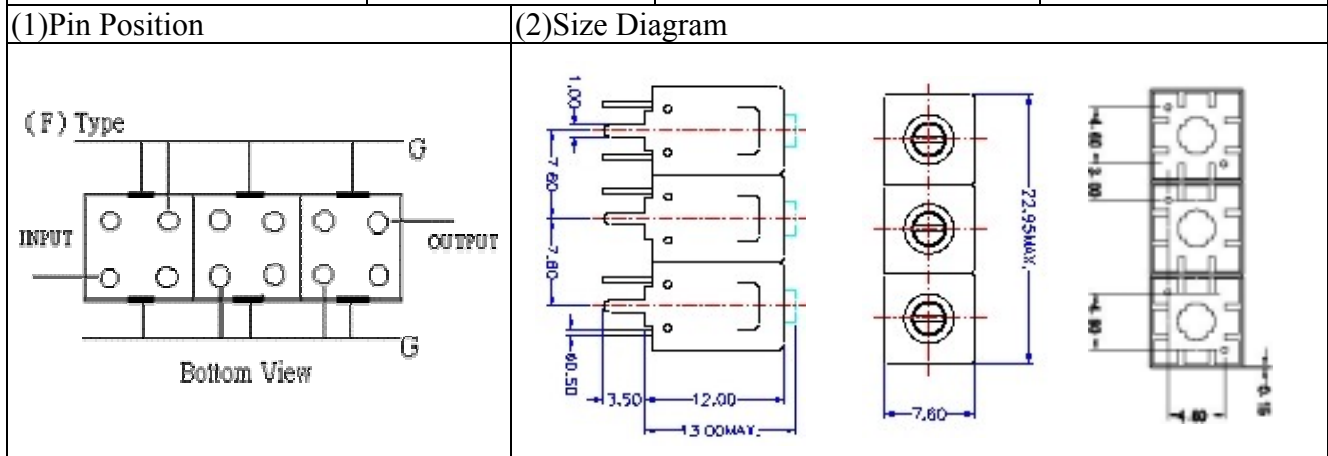


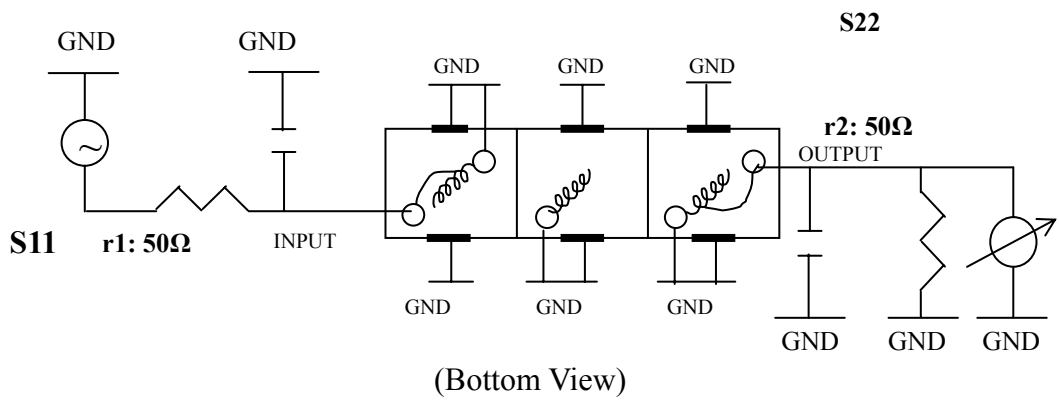
VHF UHF Helical Filter Specification Sheet

Customer Name		Temwell's Part No.	TT67859F-850M
Approval No. /dated	201004088CD	Temwell's print name	67859F 850M
Work Instruction No.	201004088CD	Date	Dec.16.2010



(3) Electric Charasteric	
Item	Specify
Center Freq.(Fo) +/- 0.5 %	850 MHz
Insertion Loss	Typ. 1.5 dB
-3 dB Bandwidth	Typ. 100 MHz
Sensitivity (Attenuation)	Fo - 200 MHz Typ. 31 dBc
	Fo + 200 MHz Typ. 37 dBc
	Fo - ()MHz Typ. dBc
	Fo +()MHz Typ. dBc
Return Loss	Min. 12 dB
Ripple	< 1 dB
Impedance	In / Out : 50 Ω
(4) Torque for Tuning Screw	> 60gf cm
(5) Temperature Condition:	
Operating Temperature	0 ~ +60
Storage Temperature	-20 ~ +70
(6) Input Power	> 1Watt

(7) Measuring Circuit: Easy to match Impedance S11/S22 50Ω by parallel with about(--) / (--).



Approval C.Y.Chang	Supervisor C.K.Chang	Designer C.H.Chang	Aperture size 7H3S(4*5.5)(5.58) 7H046RB6.5
-----------------------	-------------------------	-----------------------	--

TEMWELL CORPORATION

Performance-TT67859F-850M

201004088CD

