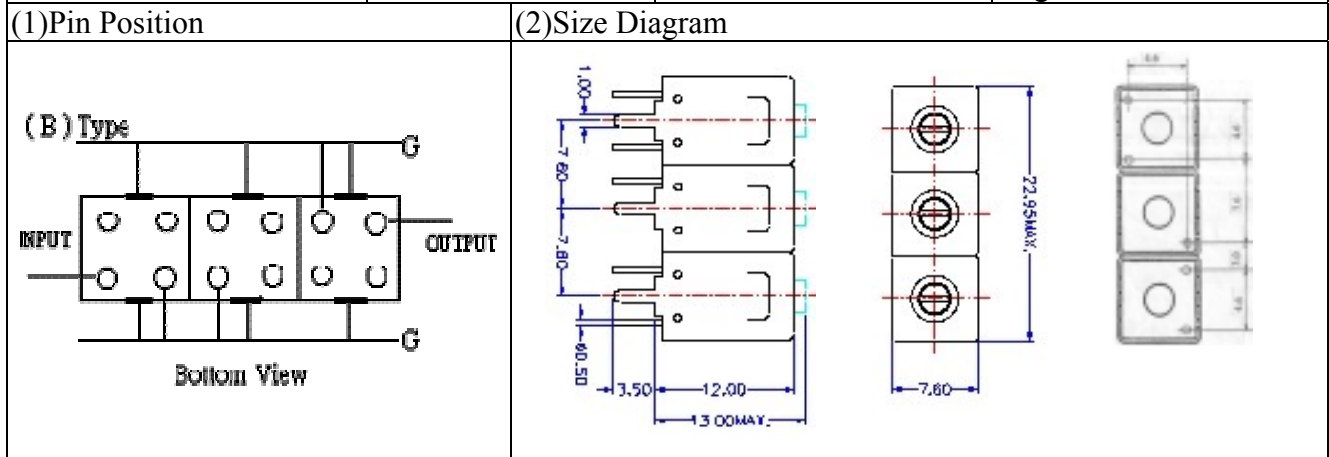
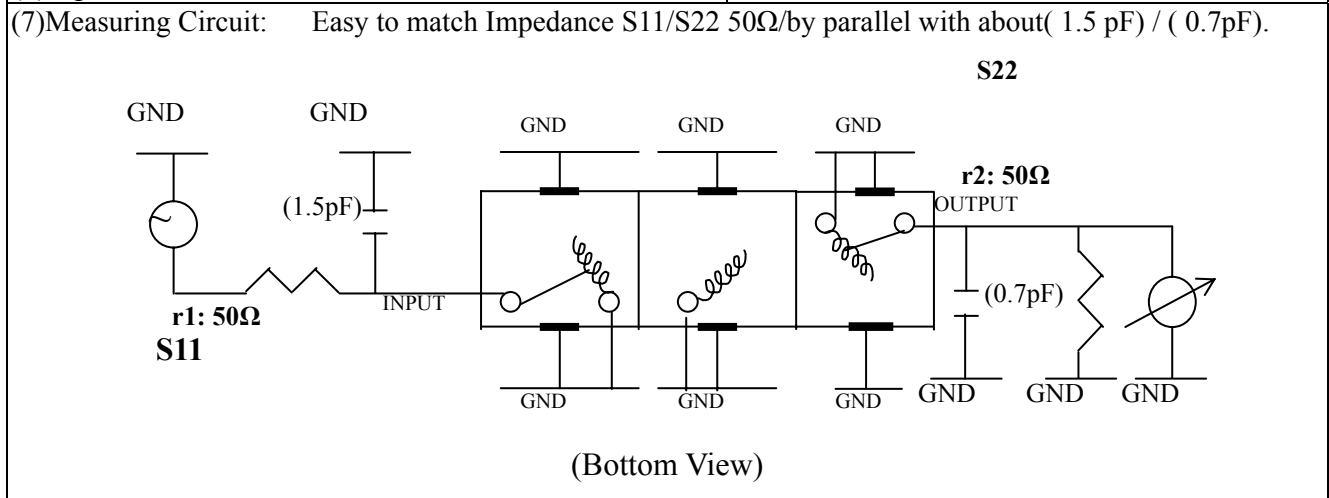


# VHF UHF Helical Filter Specification Sheet

|                      |          |                     |               |
|----------------------|----------|---------------------|---------------|
| Customer Name        |          | Temwell's Part No.  | TT67860B-950M |
| Approval No. /dated  |          | Customer Print Name |               |
| Work Instruction No. | 0605020C | Date                | Aug.28.2006   |



|                                       |                          |
|---------------------------------------|--------------------------|
| (3) Electric Character                |                          |
| Item                                  | Specify                  |
| Center Freq.(Fo) +/- 0.5 %            | 950 MHz                  |
| Tunable Range                         | 950±5 MHz                |
| Insertion Loss                        | Typ. 2.5 dB              |
| -3 dB Bandwidth                       | Typ. 100 MHz             |
| Sensitivity (Attenuation)             | Fo - 100 MHz Typ. 17 dBc |
|                                       | Fo + 100 MHz Typ. 6 dBc  |
|                                       | Fo - ( )MHz Typ. dBc     |
|                                       | Fo +( )MHz Typ. dBc      |
| Return Loss                           | Min. 12 dB               |
| Ripple                                | < 1 dB                   |
| Impedance                             | In / Out : 50 Ω          |
| (4) Torque for Tuning Screw > 60gf cm |                          |
| (5) Temperature Condition:            |                          |
| Operating Temperature                 | 0 ~ +60                  |
| Storage Temperature                   | -20 ~ +70                |
| (6) Input Power > 1Watt               |                          |

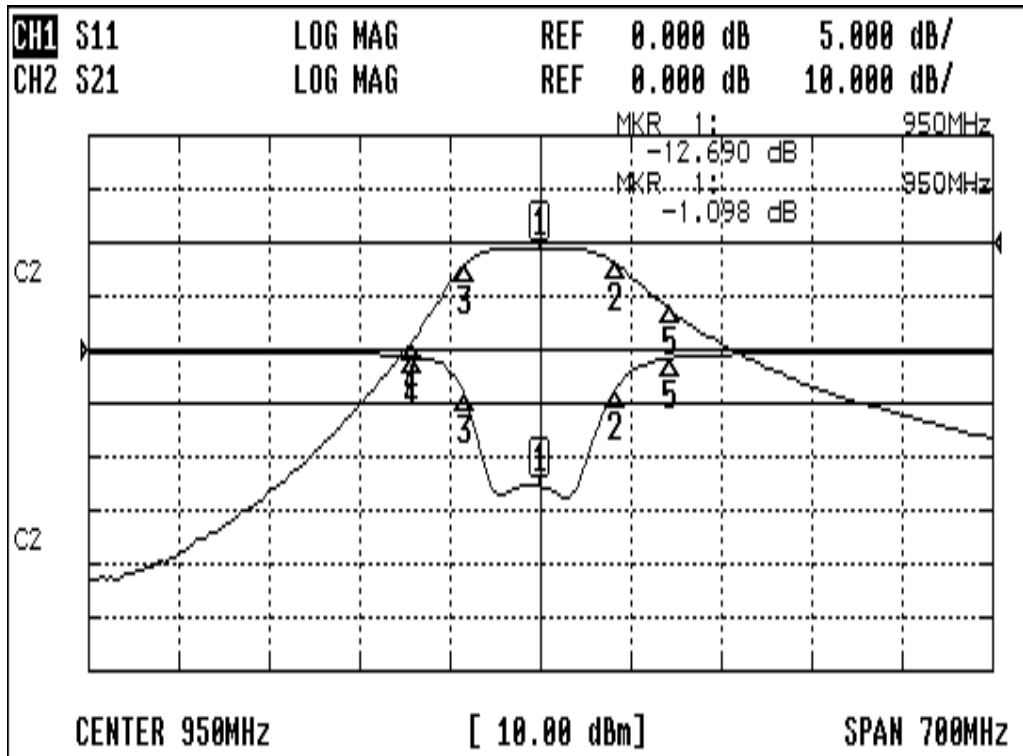


|           |            |          |                                 |
|-----------|------------|----------|---------------------------------|
| Approval  | Supervisor | Designer | Aperture size                   |
| C.Y.Chang | C.S.Chang  | W.W.Wang | 7H3(4*6.5)(6.58)F<br>7H046RB6.5 |

TEMWELL CORPORATION

# Performance-TT67860B-950M

## 0605020C



### CH1 MARKER LIST

|    |              |            |
|----|--------------|------------|
| 1: | 950.000MHz   | -12.690 dB |
| 2: | 1.008 916GHz | -3.539 dB  |
| 3: | 891.666MHz   | -4.306 dB  |
| 4: | 850.000MHz   | -0.601 dB  |
| 5: | 1.050 000GHz | -0.761 dB  |

### CH2 MARKER LIST

|    |              |            |
|----|--------------|------------|
| 1: | 950.000MHz   | -1.098 dB  |
| 2: | 1.008 916GHz | -4.032 dB  |
| 3: | 891.666MHz   | -4.024 dB  |
| 4: | 850.000MHz   | -10.638 dB |
| 5: | 1.050 000GHz | -12.334 dB |