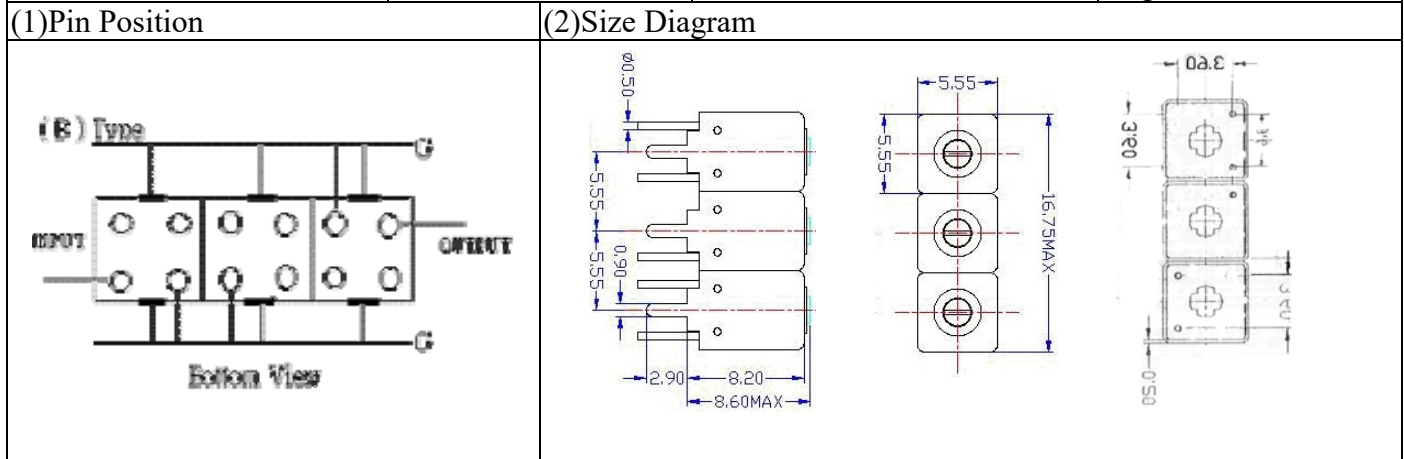
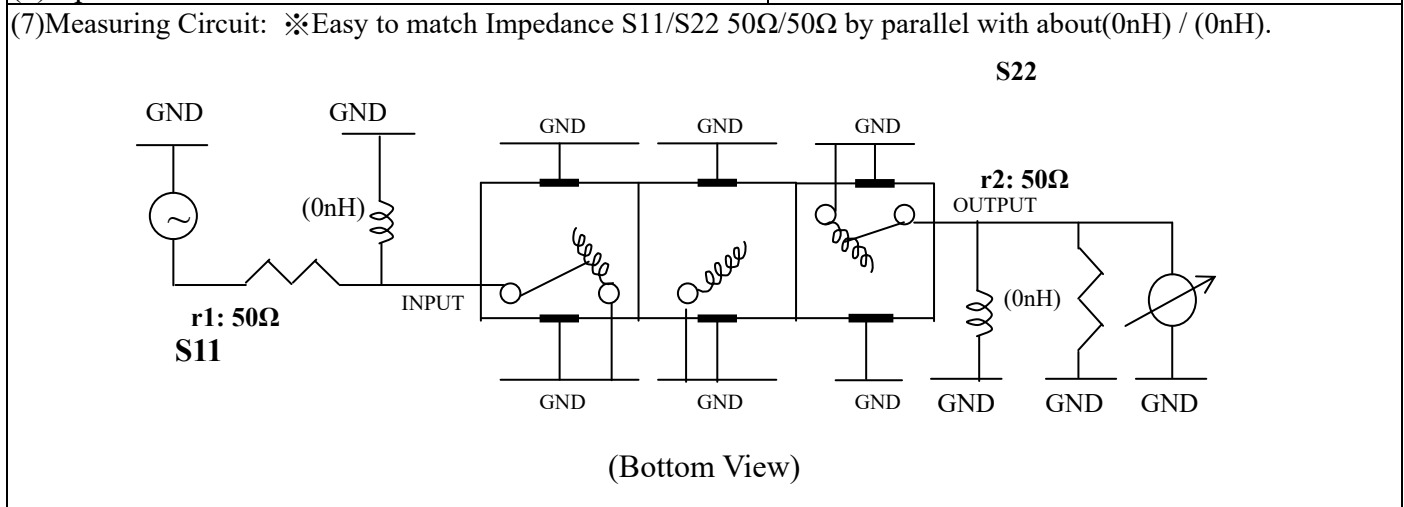


# VHF UHF Helical Filter Specification Sheet

Customer Name		Temwell's Part No.	TTW3608B-2400M
Approval No. /dated	0807078C	Temwell's Print name.	3608B 2400M
Work Instruction No.	0807078C	Date	Aug.09.2008



(3) Electric Characteristic		Item	Specify
		Center Freq.(Fo) +/- 0.5 %	2400 MHz
		Insertion Loss	Typ. 4.0 dB
		-3 dB Bandwidth	Typ. 100 MHz
Sensitivity (Attenuation)	Fo - 200 MHz	Typ.	35 dBc
	Fo + 200 MHz	Typ.	20 dBc
	Fo - ( )MHz	Typ.	dBc
	Fo +( )MHz	Typ.	dBc
		Return Loss	Min. 12 dB
		Ripple	< 1 dB
		Impedance	In / Out : 50 Ω
		(4) Torque for Tuning Screw	> 60gf · cm
		(5) Temperature Condition:	
		Operating Temperature	0°C ~ +60°C
		Storage Temperature	-20°C ~ +70°C
		(6) Input Power	> 0.5Watt



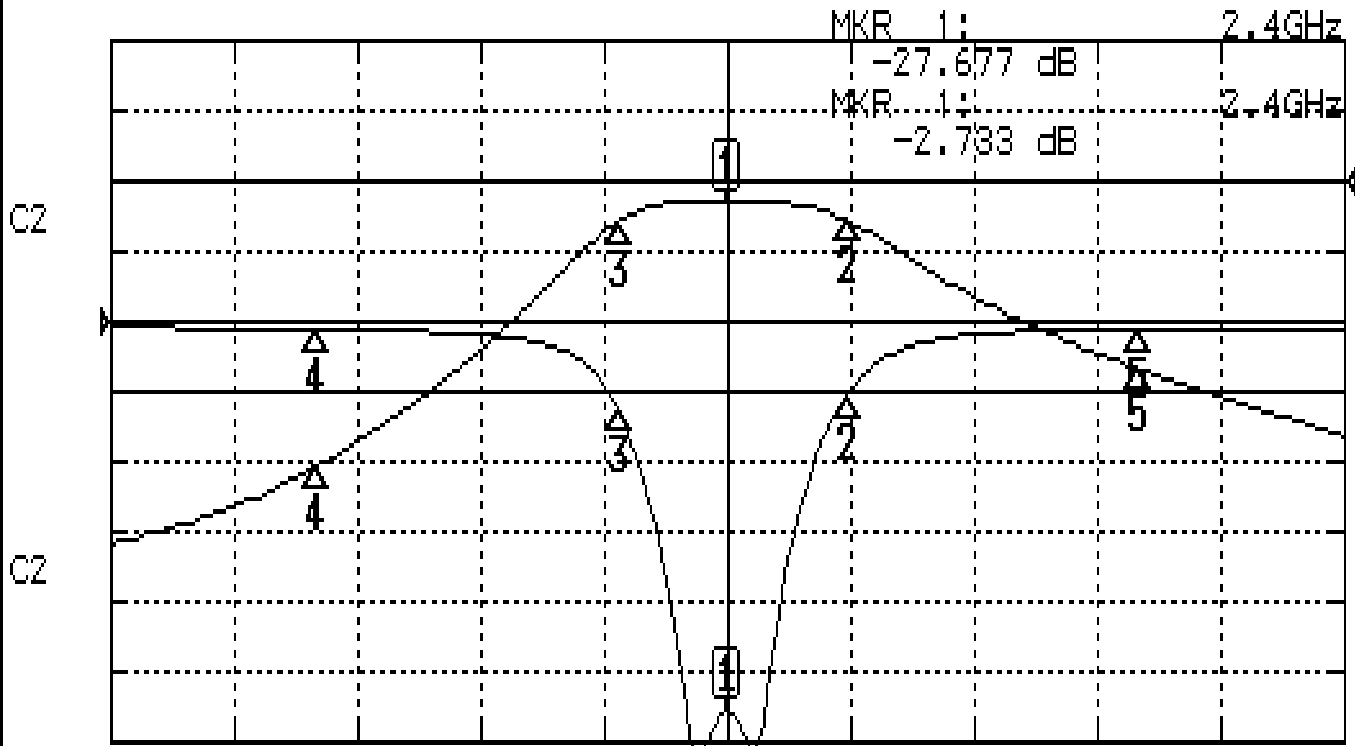
Approval C.Y.Chang	Supervisor C.S.Chang	Designer C.H.Yeh	Aperture size 5W3S(3.8*4.5) 52W046RB3.5
-----------------------	-------------------------	---------------------	---

TEMWELL CORPORATION

# Performance-TTW3608B-2400M

## 0807078C

CH1 S11 LOG MAG REF 0.000 dB 5.000 dB/  
 CH2 S21 LOG MAG REF 0.000 dB 10.000 dB/



CENTER 2.4GHz

[ 10.00 dBm ]

SPAN 600MHz

### CH1 MARKER LIST

1:	2.400	000GHz	-27.661	dB
2:	2.459	000GHz	-15.081	dB
3:	2.347	000GHz	-15.222	dB
4:	2.200	000GHz	-10.558	dB
5:	2.600	000GHz	-10.551	dB

### CH2 MARKER LIST

1:	2.400	000GHz	-2.733	dB
2:	2.459	000GHz	-15.702	dB
3:	2.347	000GHz	-15.729	dB
4:	2.200	000GHz	-40.630	dB
5:	2.600	000GHz	-26.778	dB