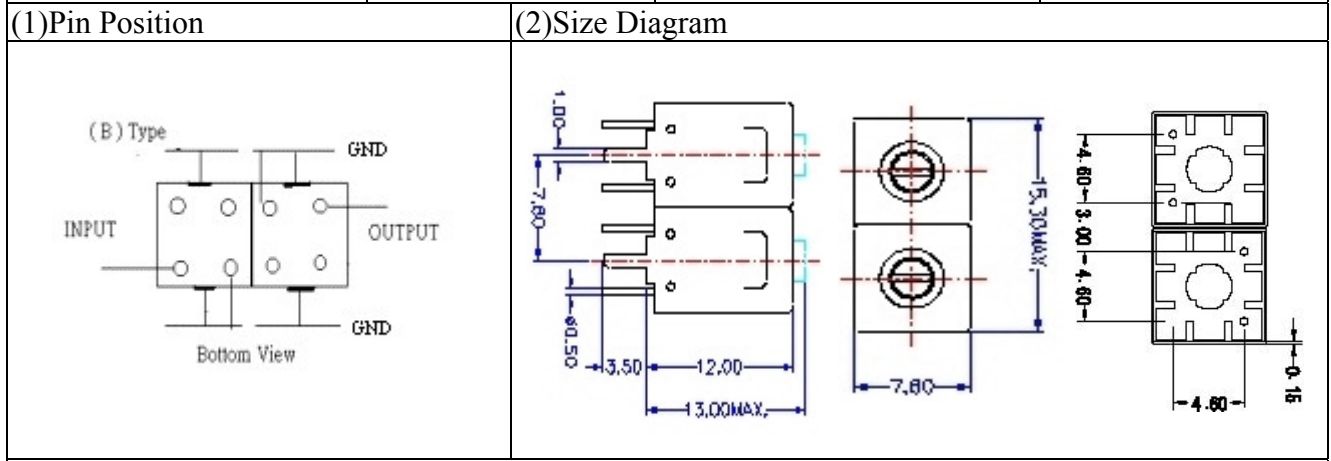


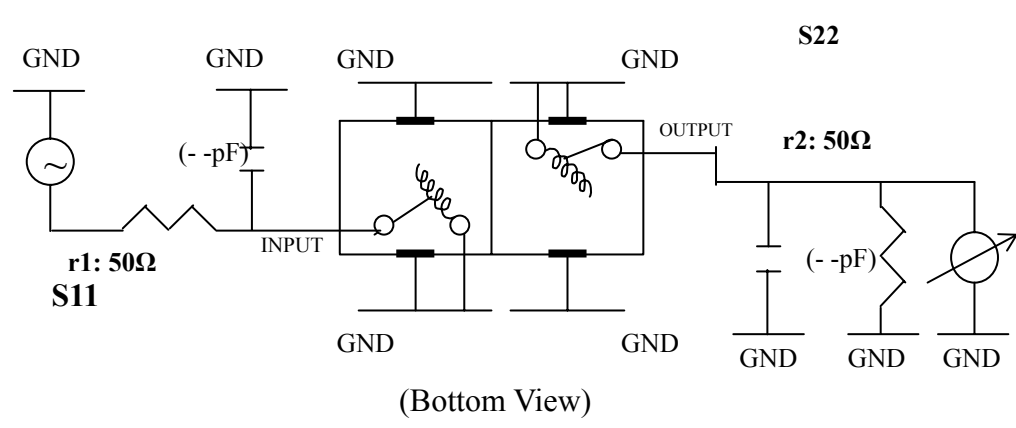
VHF UHF Helical Filter Specification Sheet

Customer Name		Temwell's Part No.	TD6735B06-235.2M
Approval No. /dated		Temwell's print name.	6735B06 235.2M
Work Instruction No.	201202132A	Date	Mar.14.2012



(3) Electric Charasteric	
Item	Specify
Center Freq.(Fo) +/- 0.5 %	235.2 MHz
Insertion Loss	Typ. 2.0 dB
-3 dB Bandwidth	Typ. 12 MHz
Sensitivity (Attenuation)	Fo - 50 MHz Typ. 28 dBc
	Fo + 50 MHz Typ. 35 dBc
	Fo - ()MHz Typ. dB
	Fo +()MHz Typ. dB
Return Loss	Min. 12 dB
Ripple	< 1 dB
Impedance	In / Out : 50 Ω
(4) Torque for Tuning Screw > 100gf · cm	
(5) Temperature Condition:	
Operating Temperature	0°C ~ +60°C
Storage Temperature	-20°C ~ +70°C
(6) Input Power > 1Watt	

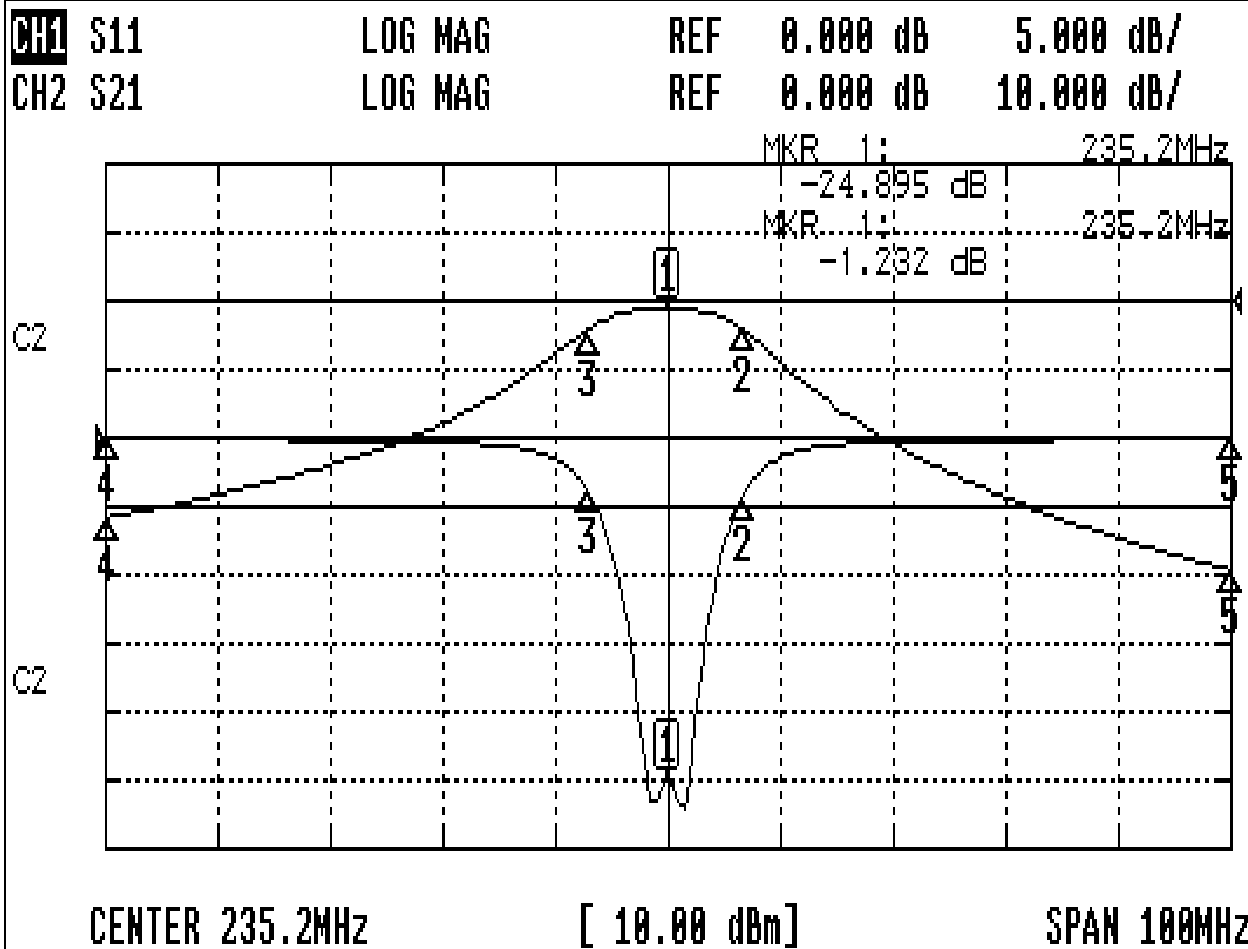
(7) Measuring Circuit: ※Easy to match Impedance S11/S22 50Ω by parallel with about (-) pF.



Approval C.Y.Chang	Supervisor C.K.Chang	Designer C.S.Chang	Aperture size 7H2S(4*6.35)(6.38) 7H024LB4
TEMWELL CORPORATION			

Performance-TD6735B06-235.2M

201202132A



CH1 MARKER LIST

1:	235.200MHz	-24.895 dB
2:	241.866MHz	-4.277 dB
3:	228.116MHz	-3.893 dB
4:	185.200MHz	-0.118 dB
5:	285.200MHz	-0.118 dB
6:		
7:		
8:		
9:		
10:		

CH2 MARKER LIST

1:	235.200MHz	-1.233 dB
2:	241.866MHz	-4.234 dB
3:	228.116MHz	-4.237 dB
4:	185.200MHz	-31.586 dB
5:	285.200MHz	-39.287 dB
6:		
7:		
8:		
9:		
10:		