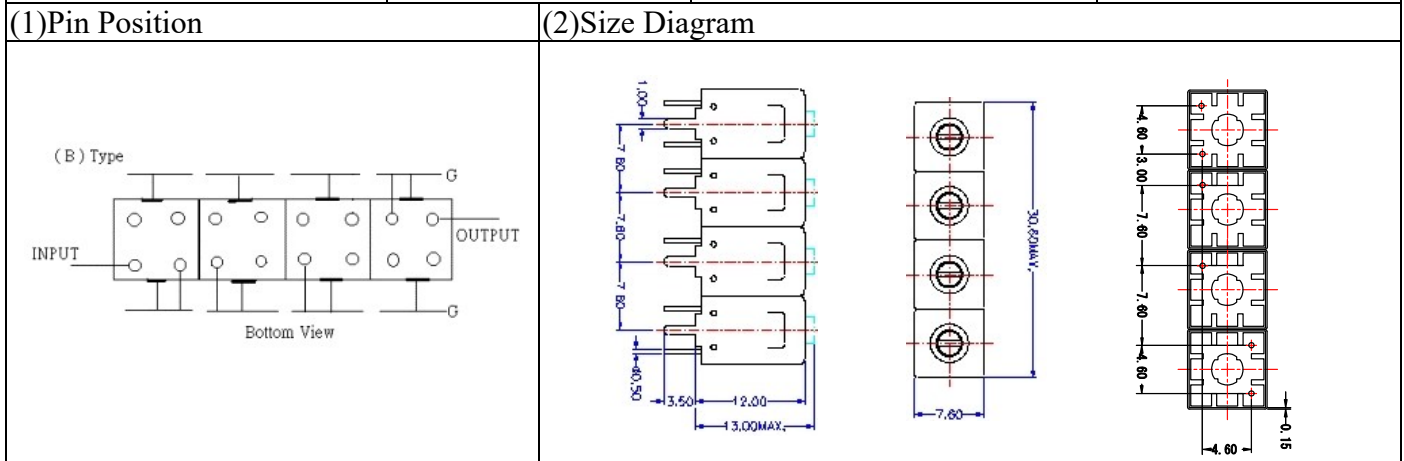


VHF UHF Helical Filter Specification Sheet

Customer Name		Temwell's Part No.	TF69810B-1270M
Approval No. /dated	201803028CD	Temwell's Print Name	69810B 1270M
Work Instruction No.	201803028CD	Date	Mar.21.2018



(3) Electric Characteristic

Item	Specify	Performance	
Center Freq.(Fo) +/- 0.5 %	1270 MHz	1270 MHz	
Insertion Loss	Typ. 3.0 dB	2.11 dB	
-3 dB Bandwidth	Typ. 60 MHz	69.1 MHz	
Sensitivity (Attenuation)	Fo - 100 MHz	Typ. 43 dBc	48 dBc
	Fo + 100 MHz	Typ. 28 dBc	33 dBc
	Fo - ()MHz	Typ. dBc	dBc
	Fo +()MHz	Typ. dBc	dBc
Return Loss	Min. 12 dB	23.8 dB	
Ripple	< 1 dB	dB	
Impedance	In / Out : 50 Ω	In / Out : 50 Ω	

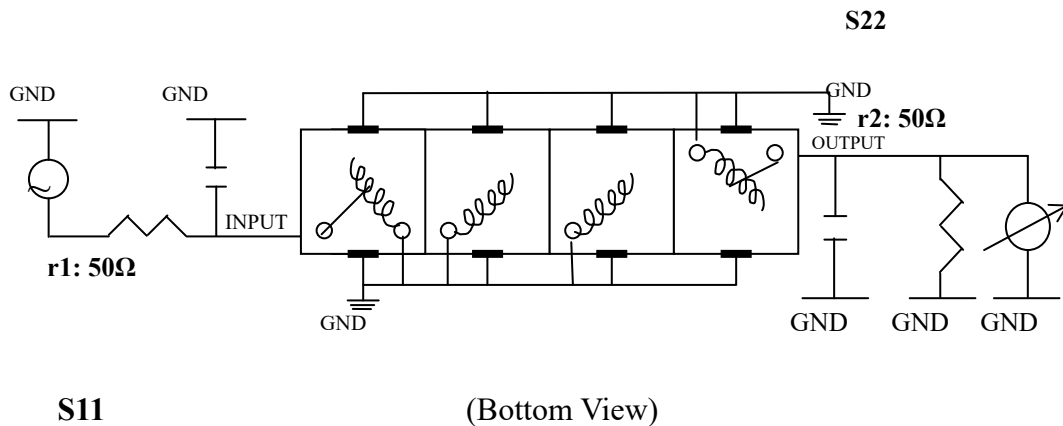
(4) Torque for Tuning Screw > 60gf • cm

(5) Temperature Condition:

Operating Temperature	0°C ~ +60°C
Storage Temperature	-20°C ~ +70°C

(6) Input Power > 1 Watt

(7) Measuring Circuit: ※Easy to match Impedance S11/S22 50Ω by parallel with about(- -).



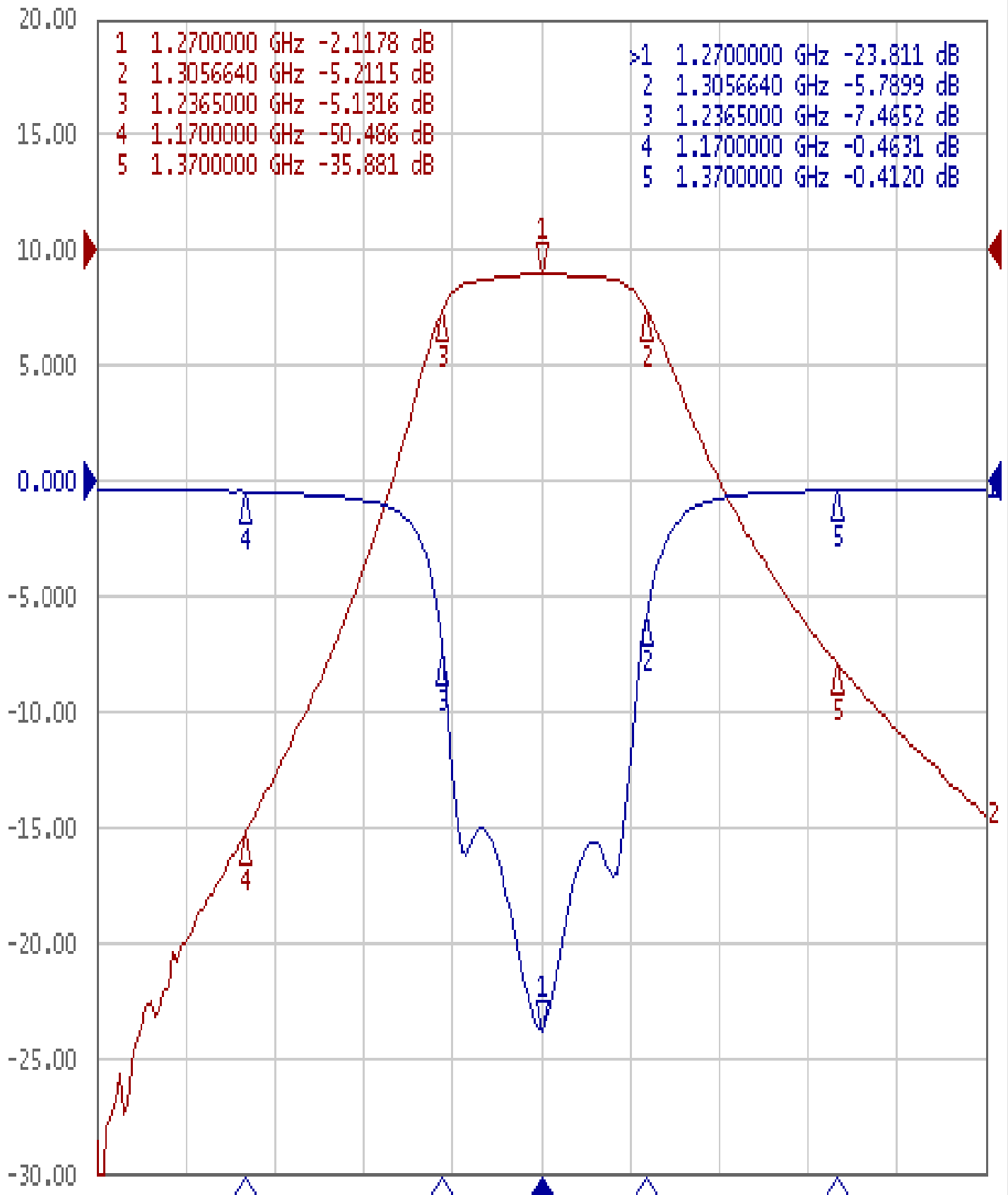
Approval	Supervisor	Designer	Aperture size
C.Y.Chang	C.K.Chang	W.W.Wang	7H4S(4*5.35)(5.38) 7H046RB5.5

TEMWELL CORPORATION

Performance-TF69810B-1270M

201803028CD

Tr1 S11 Log Mag 5.000dB/ Ref 0.000dB [F2]
Tr2 S21 Log Mag 10.00dB/ Ref 0.000dB [F2]



1 Center 1.27 GHz

IFBW 70 kHz

Span 300 MHz

Cor !