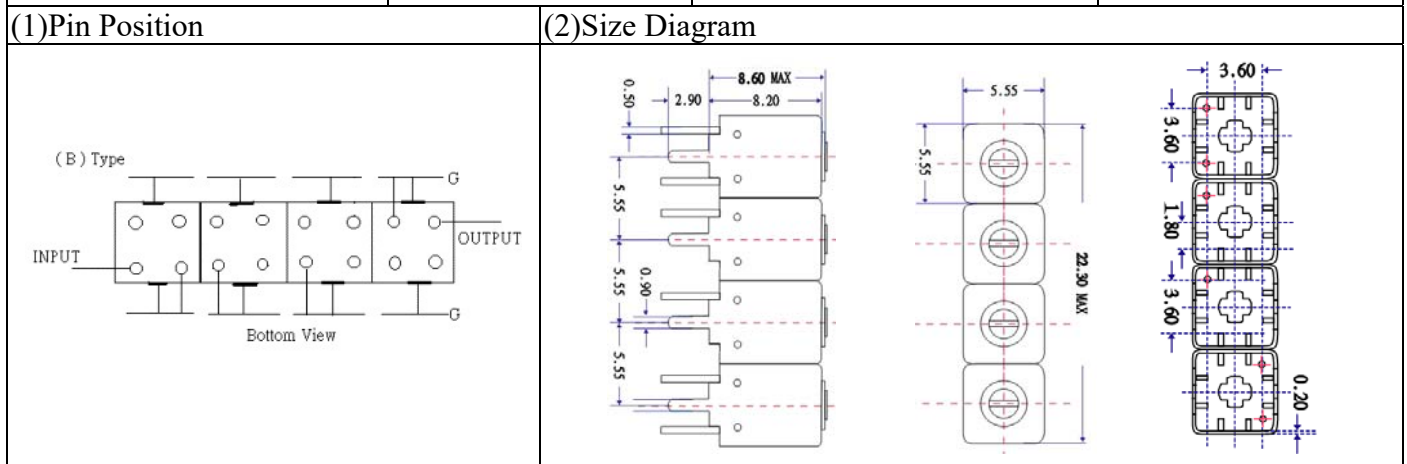


# VHF UHF Helical Filter Specification Sheet

Customer Name		Temwell's Part No.	TFW4684B-915M
Approval No. /dated	201803033CD	Temwell's Print name	4684B 915M
Work Instruction No.	201803033CD	Date	Mar.20.2018



(3) Electric Characteristic

Item	Specify	Performance	
Center Freq.(Fo) +/- 0.5 %	915 MHz	915 MHz	
Insertion Loss	Typ. 4.5 dB	3.48 dB	
-3 dB Bandwidth	Typ. 25 MHz	32.3 MHz	
Sensitivity (Attenuation)	Fo - 100 MHz	Typ. 56 dBc	66 dBc
	Fo + 100 MHz	Typ. 52 dBc	57 dBc
	Fo - ( )MHz	Typ. dBc	dBc
	Fo +( )MHz	Typ. dBc	dBc
Return Loss	Min. 12 dB	29.8 dB	
Ripple	< 1 dB	dB	
Impedance	In / Out : 50 Ω	In / Out : 50 Ω	

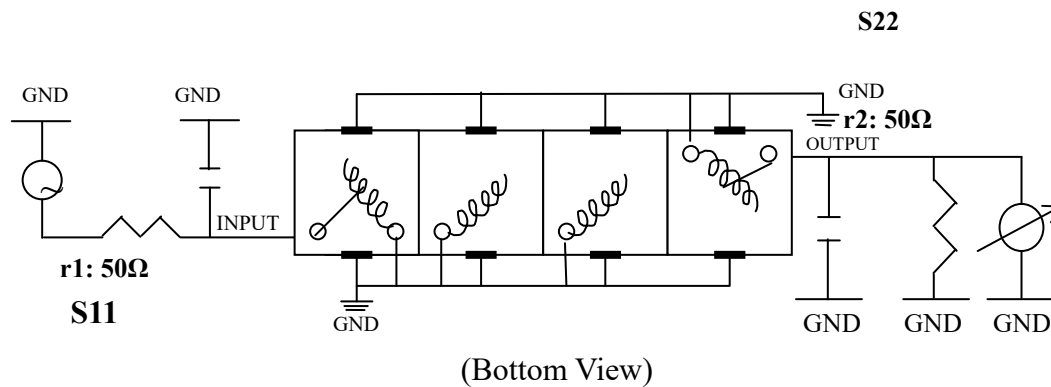
(4) Torque for Tuning Screw > 60gf · cm

(5) Temperature Condition:

Operating Temperature	0°C ~ +60°C
Storage Temperature	-20°C ~ +70°C

(6) Input Power > 0.5Watt

(7) Measuring Circuit: ※Easy to match Impedance S11/S22 50Ω by parallel with about(- -).



Approval	Supervisor	Designer	Aperture size
C.Y.Chang	C.K.Chang	C.H.Yeh	5W4S(3.8*4.0)(4.03) 5HW024RB3

TEMWELL CORPORATION

# Performance-TFW4684B-915M

## 201803033CD

CH1 S11

LOG MAG

REF 0.000 dB

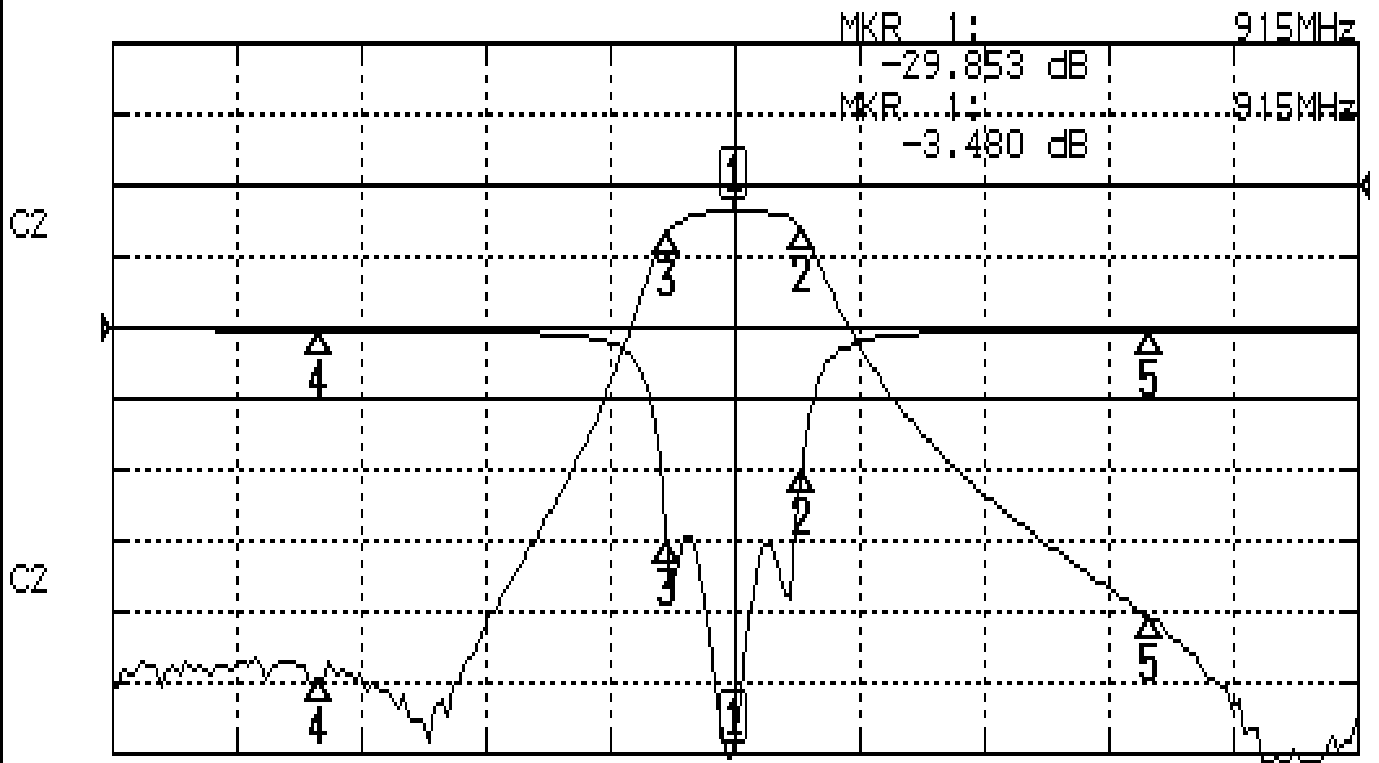
5.000 dB/

CH2 S21

LOG MAG

REF 0.000 dB

10.000 dB/



CENTER 915MHz

[ 10.00 dBm ]

SPAN 300MHz

### CH1 MARKER LIST

1:	915.000MHz	-29.853	dB
2:	931.250MHz	-9.982	dB
3:	898.870MHz	-15.567	dB
4:	815.000MHz	-0.173	dB
5:	1.015 000GHz	-0.206	dB
6:			
7:			
8:			
9:			
10:			

### CH2 MARKER LIST

1:	915.000MHz	-3.480	dB
2:	931.250MHz	-16.437	dB
3:	898.870MHz	-16.488	dB
4:	815.000MHz	-69.530	dB
5:	1.015 000GHz	-60.902	dB
6:			
7:			
8:			
9:			
10:			