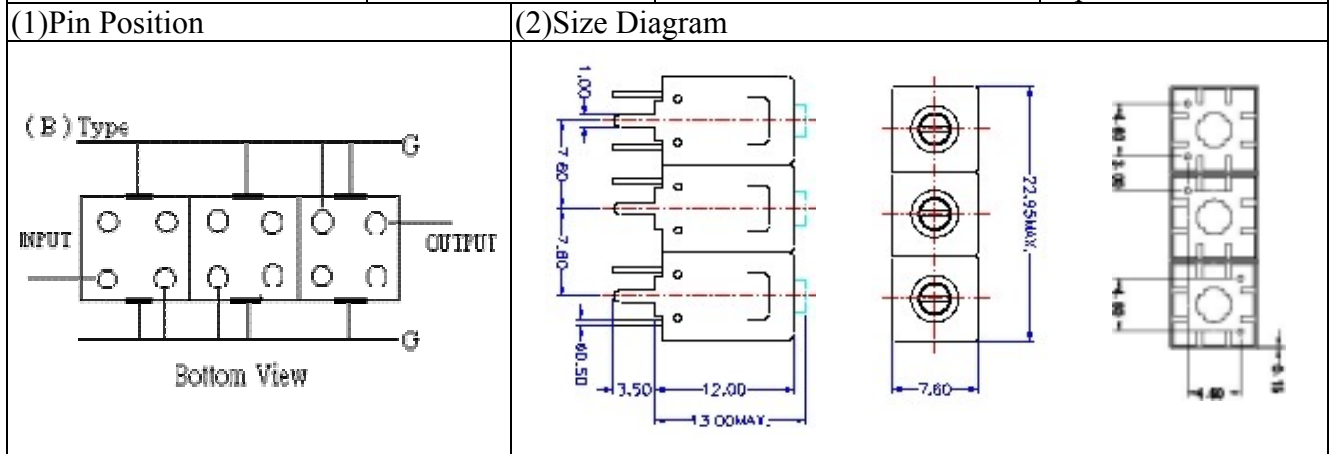


# VHF UHF Helical Filter Specification Sheet

Customer Name		Temwell's Part No.	TT6762B-223.5M
Approval No. /dated	201107072CD	Temwell's Print name.	6762B 223.5M
Work Instruction No.	201107072CD	Date	Sep.30.2011



(3) Electric Charasteric

Item	Specify	
Center Freq.(Fo ) +/- 0.5 %	223.5	MHz
Insertion Loss	Typ. 3.0	dB
-3 dB Bandwidth	Typ. 9	MHz
Sensitivity (Attenuation )	Fo - 20 MHz	Typ. 36 dBc
	Fo + 20 MHz	Typ. 32 dBc
	Fo - ( ) MHz	Typ. dBc
	Fo + ( ) MHz	Typ. dBc
Return Loss	Min. 12	dB
Ripple	< 1	dB
Impedance	In / Out : 50 Ω	

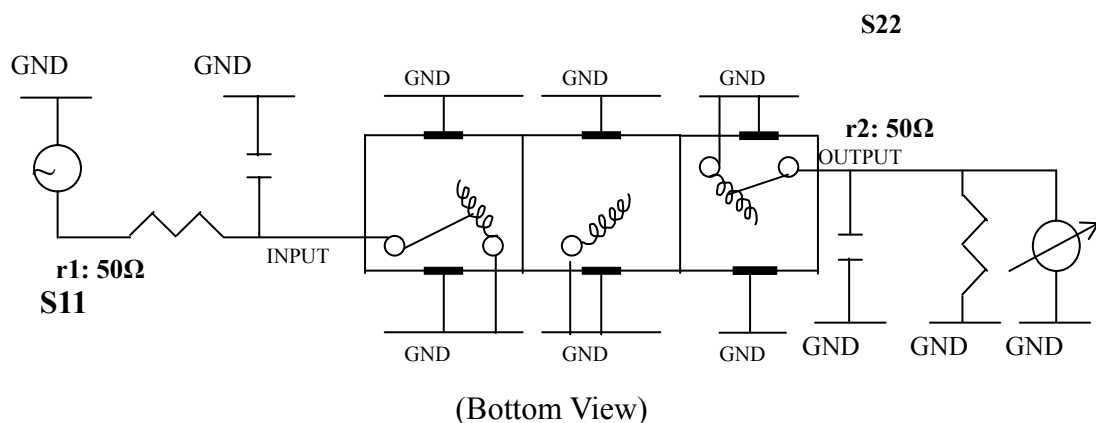
(4) Torque for Tuning Screw > 60gf cm

(5) Temperature Condition:

Operating Temperature	0 ~ +60
Storage Temperature	-20 ~ +70

(6) Input Power > 1Watt

(7) Measuring Circuit: Easy to match Impedance S11/S22 50Ω by parallel with about( -- ) / ( -- ).

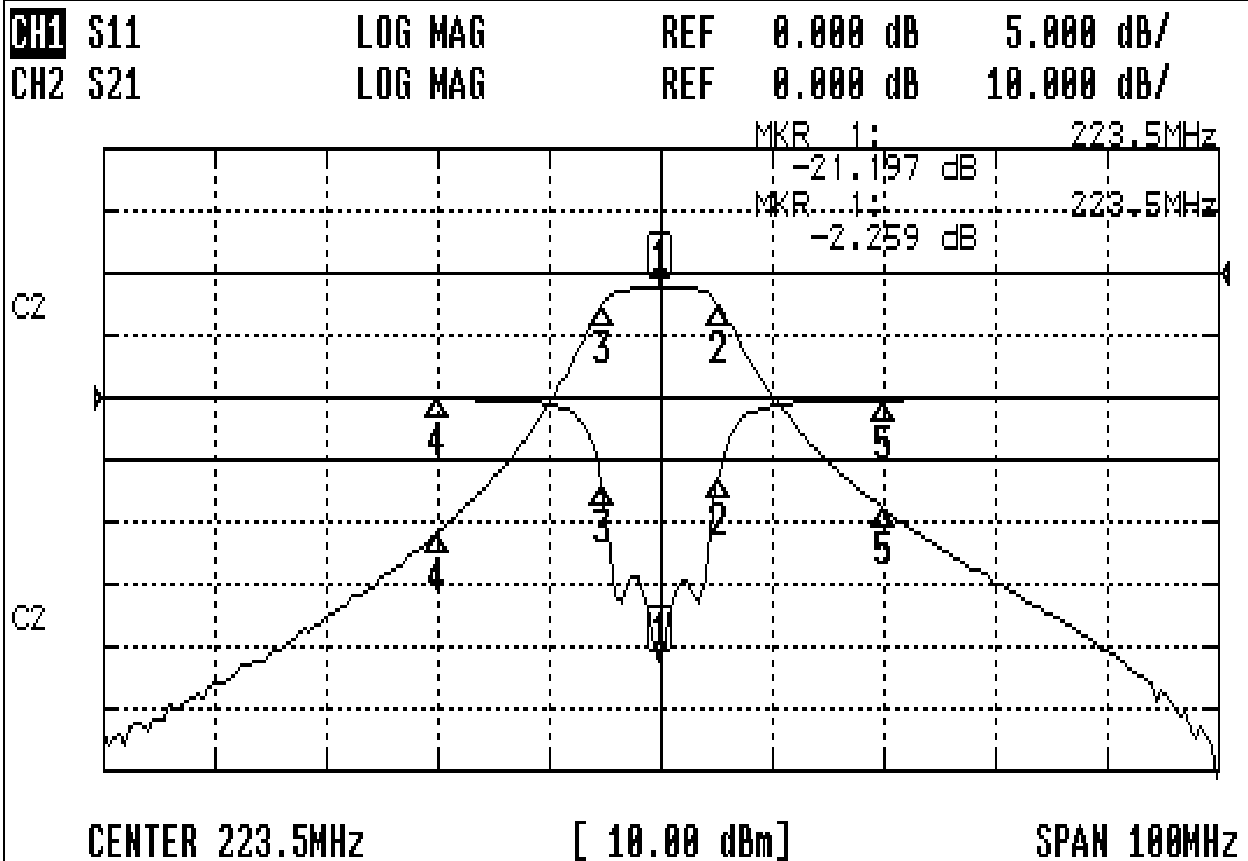


Approval C.Y.Chang	Supervisor C.K.Chang	Designer M.Y.Kang	Aperture size 7H3S(4*5.6)(5.68) 7H024LB4
-----------------------	-------------------------	----------------------	--

TEMWELL CORPORATION

# Performance-TT6762B-223.5M

## 201107072CD



### CH1 MARKER LIST

1:	223.500MHz	-21.197 dB
2:	228.750MHz	-6.370 dB
3:	218.250MHz	-7.094 dB
4:	203.500MHz	-0.100 dB
5:	243.500MHz	-0.167 dB
6:		
7:		
8:		
9:		
10:		

### CH2 MARKER LIST

1:	223.500MHz	-2.260 dB
2:	228.750MHz	-15.281 dB
3:	218.250MHz	-15.210 dB
4:	203.500MHz	-41.782 dB
5:	243.500MHz	-37.852 dB
6:		
7:		
8:		
9:		
10:		